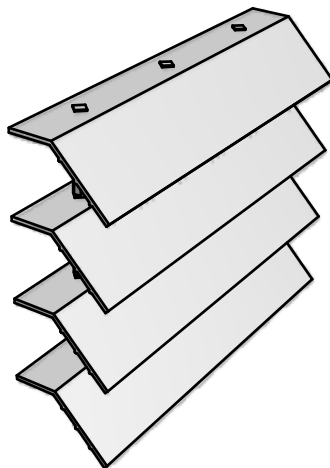
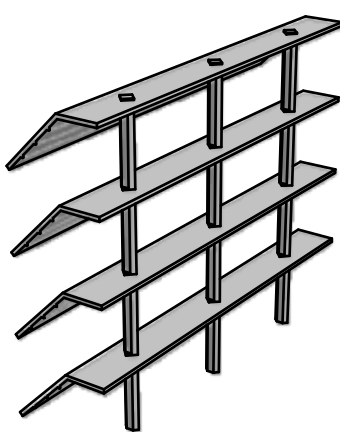
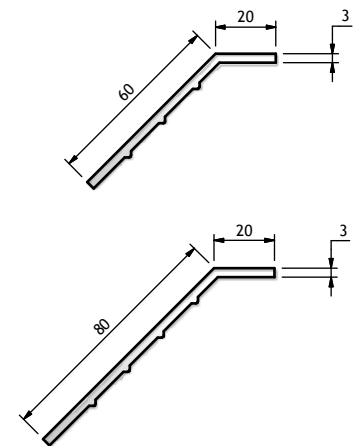
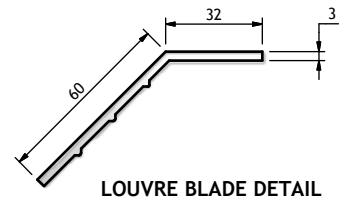
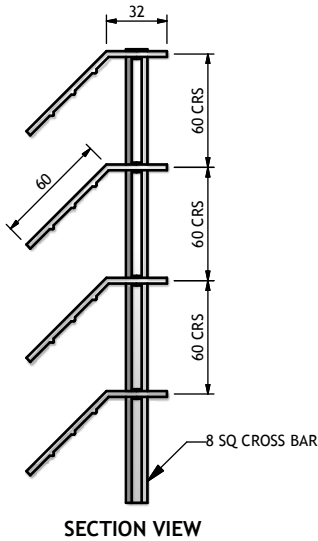
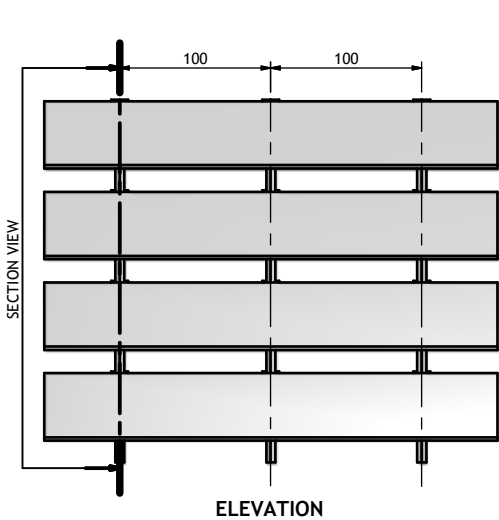
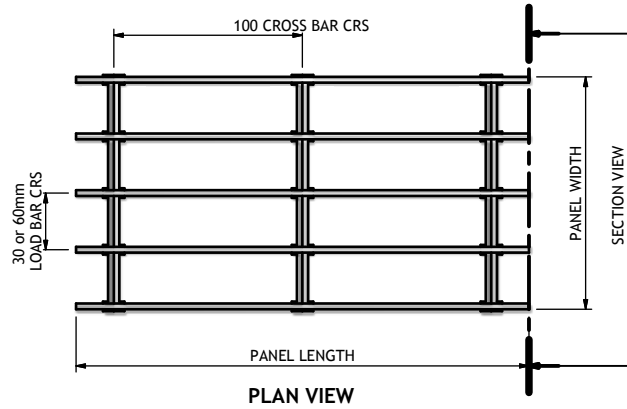
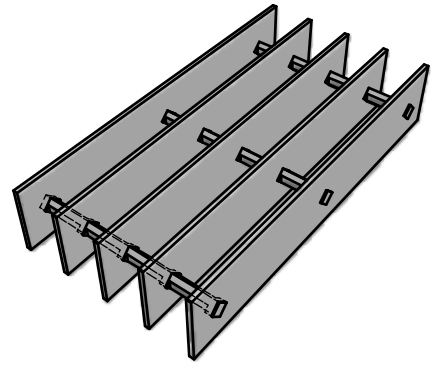


'A' BAR SAZE
25mm
32mm
40mm
45mm
50mm
55mm
60mm
65mm
75mm



INSOL SHADING SYSTEMS
Grating and Louvre Profile Panels



© All rights reserved
Insol Architectural Aluminium
Louvres
INVERCARGILL
Free 0800 34 6000
Ph 03 216 3287
F 03 216 5928
P.O. Box 231, Invercargill
NEW ZEALAND

SCALE:	
DATE:	21.05.08
ORIGINAL SIZE:	A4
DRAWING NO:	04608-M101
REV:	A