



REMOTE OPERATION INSTRUCTION

1 IMPORTANT INFORMATION

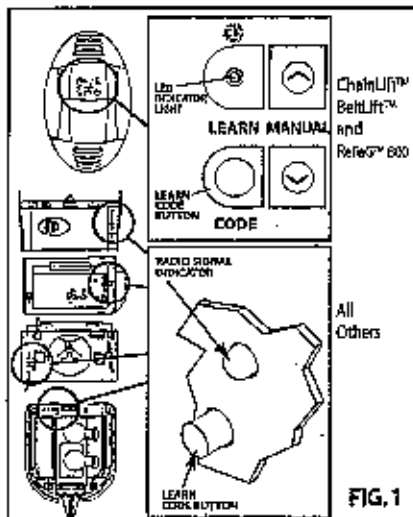
FOR USE WITH ALL CODEDODGER® OPENERS

WARNING	
	<p>Moving Door can cause serious injury or death.</p> <ul style="list-style-type: none"> Do not install remote unless the door opener's safety reverse works as required by the door opener manual. Wall control must be mounted in sight of door, at least 5 feet above floor and clear of any moving door parts. Keep people clear of door opening while door is moving. Do not allow children to play with remote or door opener. <p>If safety reverse does not work properly:</p> <ul style="list-style-type: none"> Close door, then disconnect opener using the manual release handle. Do not use remote or door opener. Refer to door and door opener owner's manuals before attempting any repairs.
	<p>Electrical shock can cause serious injury or death.</p> <ul style="list-style-type: none"> Power cord must be unplugged before attaching any wires. Be sure wire ends do not touch each other or other terminals. <p>If you have questions or need a manual, contact the distributor or manufacturer of opener.</p>

A different secret number is set at the factory for each CODEDODGER® equipped remote.

2 TO PROGRAM THE RECEIVER

- Locate the Learn Code Button and Radio Signal LED Indicator Light on the powerhead Receiver of your garage door opener. FIG. 1.
- Press and release the Learn Code Button.
 - The Radio Signal Indicator will blink approximately 2 times per second.
- Press a remote button once within 30 seconds.
 - The Radio Signal Indicator stays lit—SOLID.



- Press the same remote button again within 30 seconds.
 - Radio Signal Indicator will go out.

NOTE: If the remote code is not confirmed within 30 seconds or if a different code is sent, the Radio Signal indicator will blink rapidly and programming will stop. If programming stops, repeat steps 2 through 4.

- Repeat steps 2 through 4 for each remote button, Wireless Keypad or other access device to

NOTE: A maximum of 7 remotes, Wireless Keypad and other access device Codes can be stored into Receiver Memory at one time. If a remote becomes lost or if you want to delete a remote, Wireless Keypad or other access device, proceed to SECTION 4—ERASING ALL RECEIVER MEMORY.

NOTE: If you are replacing a lost or stolen remote:

- Erase ALL remote Codes from the Receiver memory.
- Reprogram the Receiver with the remaining remote Codes.

3 MULTI-BUTTON REMOTES

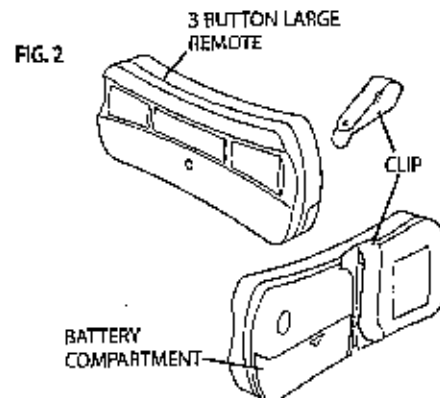
NOTE: Only ONE button of a Multi-Button remote can be programmed into a single Receiver. The other buttons are to control other Door Openers.

4 ERASING ALL RECEIVER MEMORY

- Press and HOLD the Learn Code Button for 10 seconds or until Radio Signal Indicator goes out.
 - All remote codes are erased from receiver memory.
- Reprogram the Receiver with the remaining remote codes (Repeat Steps 2-2 through 2-4)

5 BATTERY/VISOR CLIP INSTALLATION

- Battery replacement. FIG. 2.
 - Slide Battery Compartment cover off back of remote.
 - Replace with new compatible battery (alkaline, size A23, 12 Volt).
 - Slide Battery Compartment cover back on.
- Visor Clip Installation. FIG. 2.
 - Slide visor clip into back of remote until it snaps into place.



6 REMOTE OPERATION

- Point remote at the garage door and press the button. Door will move.
- Press the remote button again and the door will stop.
- Press the remote button again and the door will move the other way. The door automatically stops at the end of the open or close cycle.

FCC and IC CERTIFIED

This device complies with FCC Part 15 and RSS 210 of Industry Canada. Operation is subject to the following two conditions: (1) This device may not cause harmful interference, and (2) this device must accept any interference, including interference that may cause undesired operation of the device. Changes or modifications not expressly approved by the manufacturer could void the user's authority to operate the equipment.

For additional information or help, see Owner's Manual for Opener or contact Customer Service at 800-275-6187.