

The AC Battery Advantage

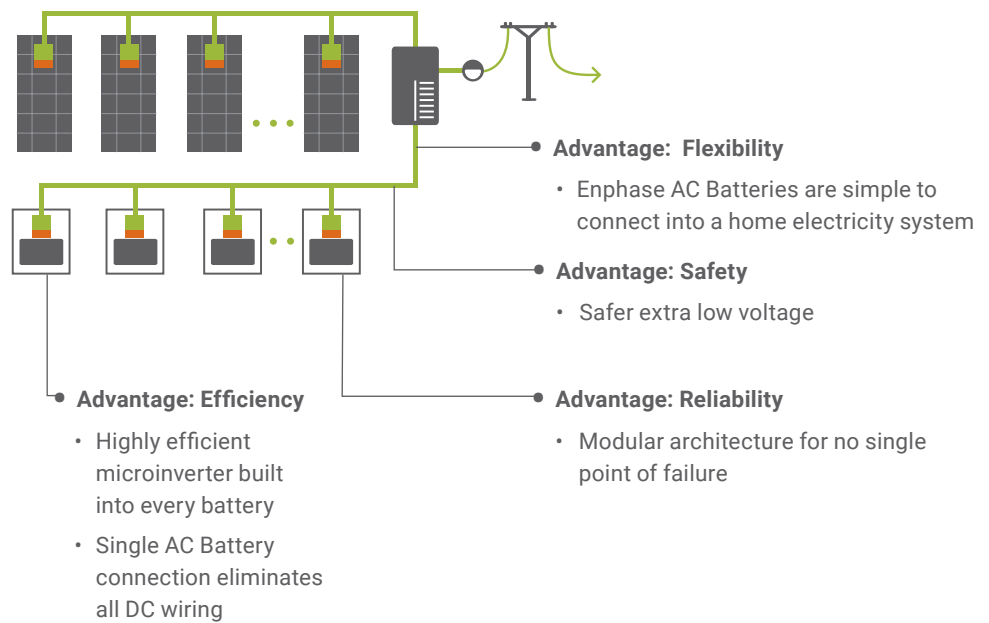
With interest in **energy storage** growing rapidly, many installers continue to get up-to-speed on energy storage technology. There are different connection methods for storage systems. Which storage technology is the best choice?

Enphase AC Battery vs DC coupled

What's the difference?

For DC coupled systems, the PV and energy storage systems are directly connected to the DC side, while for Enphase AC Battery systems, there is a single AC connection from each battery.

THE ENPHASE AC BATTERY ADVANTAGE: HIGHLY EFFICIENT, SUPERIOR FLEXIBILITY, RELIABILITY AND SAFETY



THE DC COUPLED DISADVANTAGE: MORE DIFFICULT TO INTEGRATE AND A SINGLE POINT OF FAILURE

