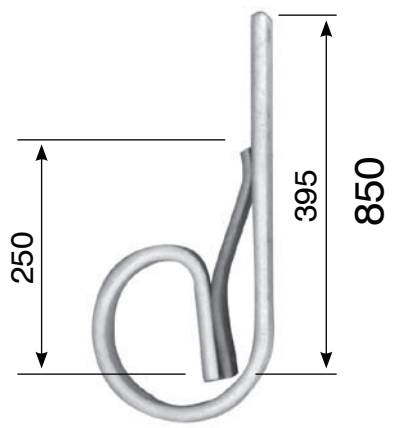
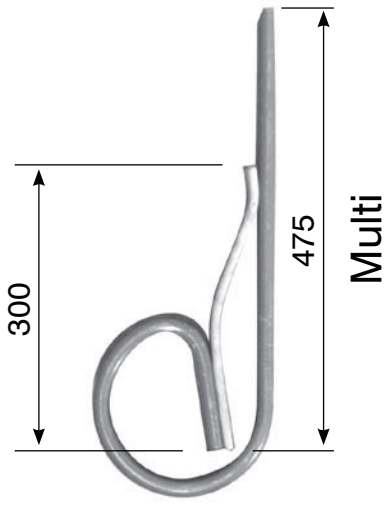
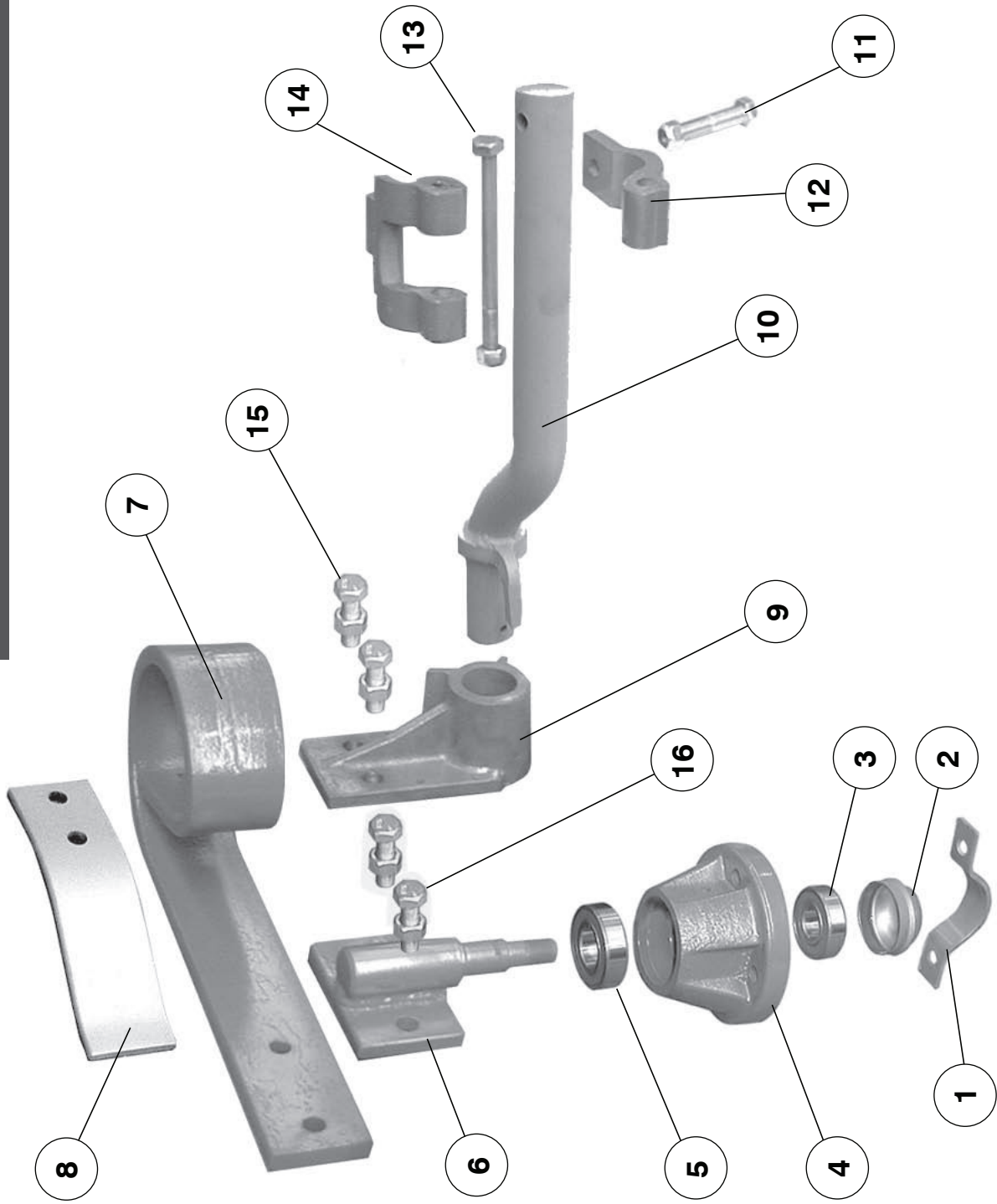


Series 850 and Multi-Plough  
Coulter Assembly



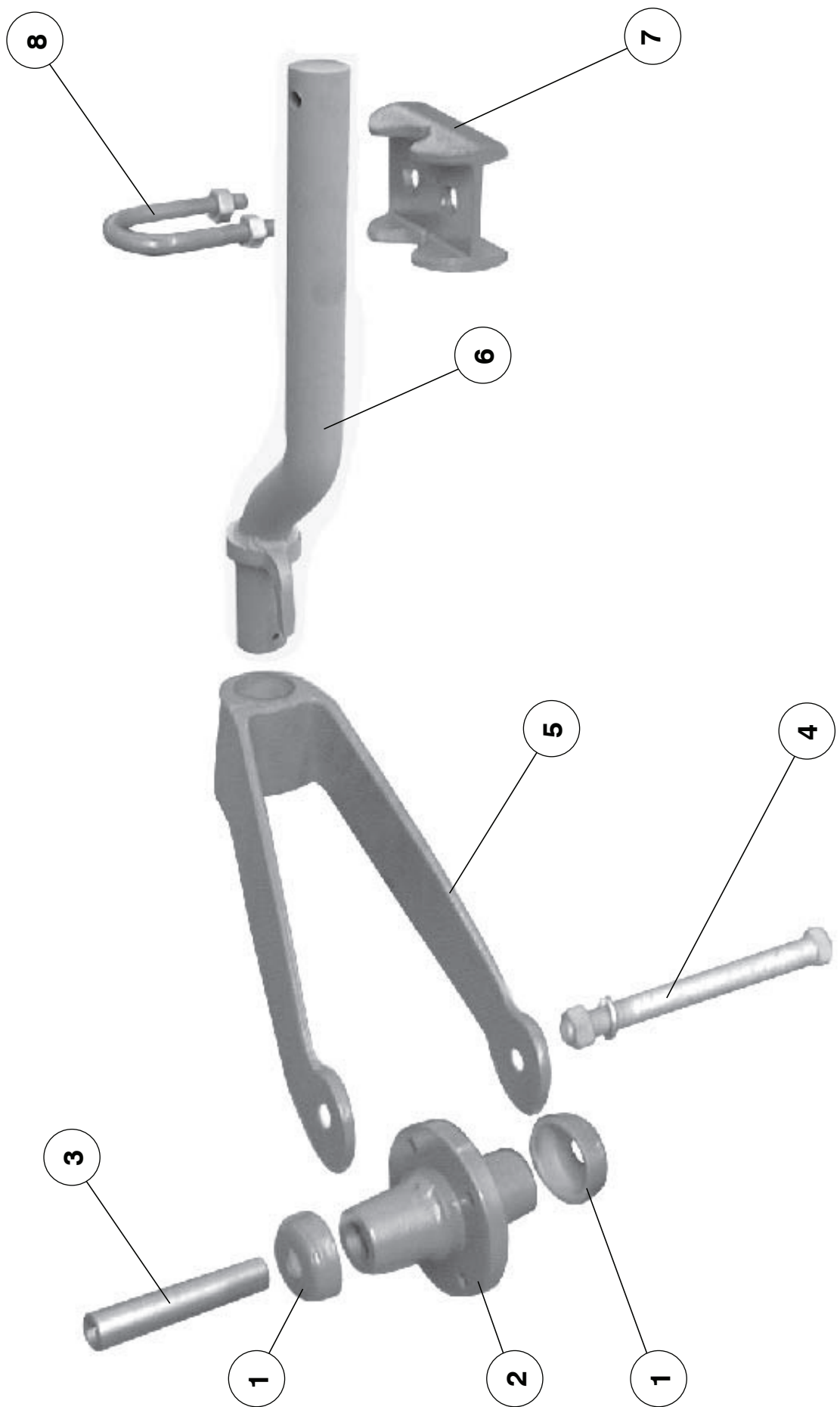
# COULTER ASSEMBLIES

## Series 850 and Multi-Plough Coulter Assembly

NO	PART NUMBER	DESCRIPTION
1	104412	Hub Cap Retainer
2	104410	Hub Cap
3	400765	Outer Bearing - Plain
	104408	Outer Bearing - Taper
4	400735	Coulter Hub
5	400760	Inner Bearing - Plain
	104407	Inner Bearing - Taper
6	400740	Coulter Axle and Plate
7	400725	Coulter Spring - Multi
	400726	Coulter Spring - 850
8	400730	Helper Spring - Multi
	400731	Helper Spring - 850
9	400720	Multi-Coulter Boss
10	103300	Coulter Stalk
11	4696	M16 x 75 Bolt Zinc
12	700710	Stalk Clamp (in)
13	4694	M16 x 180 Bolt Zinc
14	700719	Stalk Clamp (out)
	400734	Hub & Stub Assembly Complete
		Includes items 1,2,3,4,5 & 6 C/W Taper bearings
15	4668	M16 x 55 Bolt Zinc
16	4664	M16 x 45 Bolt Zinc

See Rock Jumper Coulter Assembly P20 For 850 Hub With Taper Bearing.

Series GP/AP  
Coulter Assembly

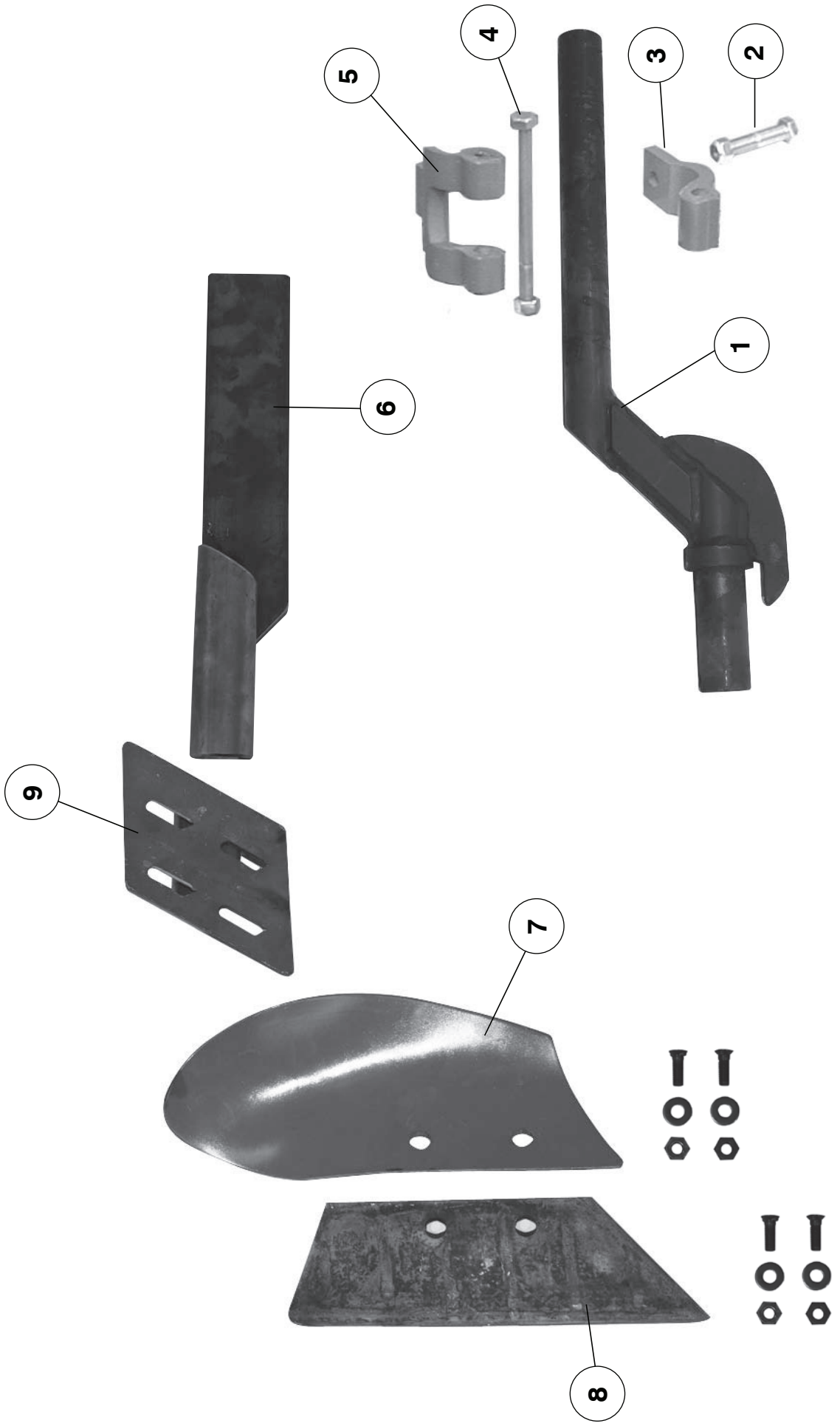


## **GP/AP Coulter Assembly**

---

NO	PART NUMBER	DESCRIPTION
1	104455	Sandwasher
2	104425	Coulter Centre Bare
3	104405	Coulter Axle
4	4684	M16 x 180 Bolt & Nut Galv
5	103330	Coulter Fork 18"/20"
6	103300	Coulter Stalk
7	103640	Coulter Bracket 3"
	103645	Coulter Bracket 3 ½"
	103650	Coulter Bracket 4"
8	103620	U Bolt Coulter Clamp
	104430	Coulter Centre Complete Includes
		Grease Nipple, Four Bolts (M10x30)
		& M16 x 180mm, Sandwashers & Axle

# 803 Variwidth Coulter & Furrow Skimmer

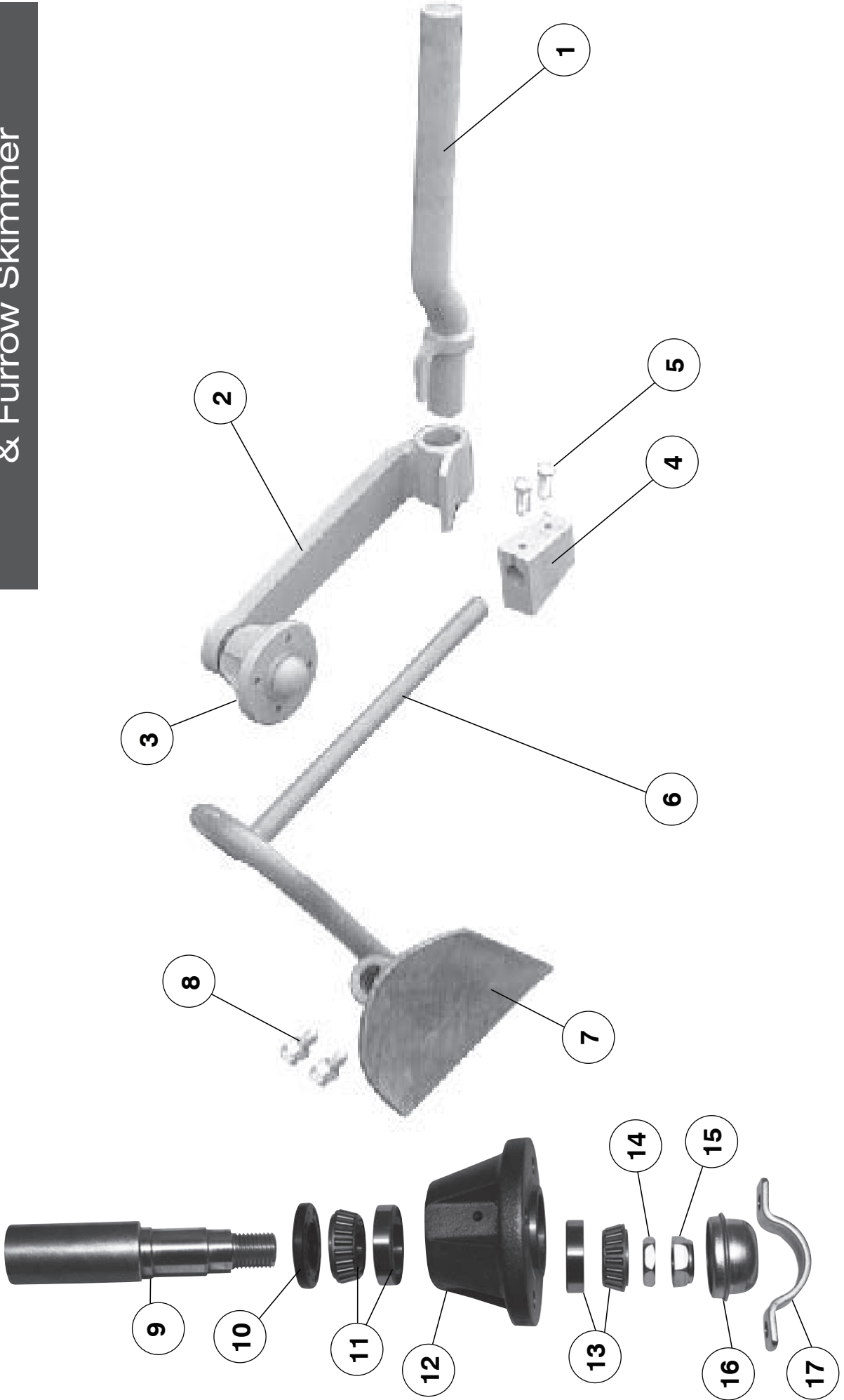


## **803 Variwidth Coulter Assembly & Furrow Skimmer**

---

<b>NO</b>	<b>PART NUMBER</b>	<b>DESCRIPTION</b>
1	103303	Coulter Stalk
2	4696	M16 x 75 Bolt Zinc
3	700710	Stalk Clamp (in)
4	4694	M16 x 180 Bolt Zinc
5	700719	Stalk Clamp (out)
6	100143	Skimmer Stalk
7	100140	Skimmer mouldboard with Bolts
8	100141	Skimmer Shear with Bolts
9	100142	Skimmer Mounting Plate

# Single Arm Coulter Assembly & Furrow Skimmer



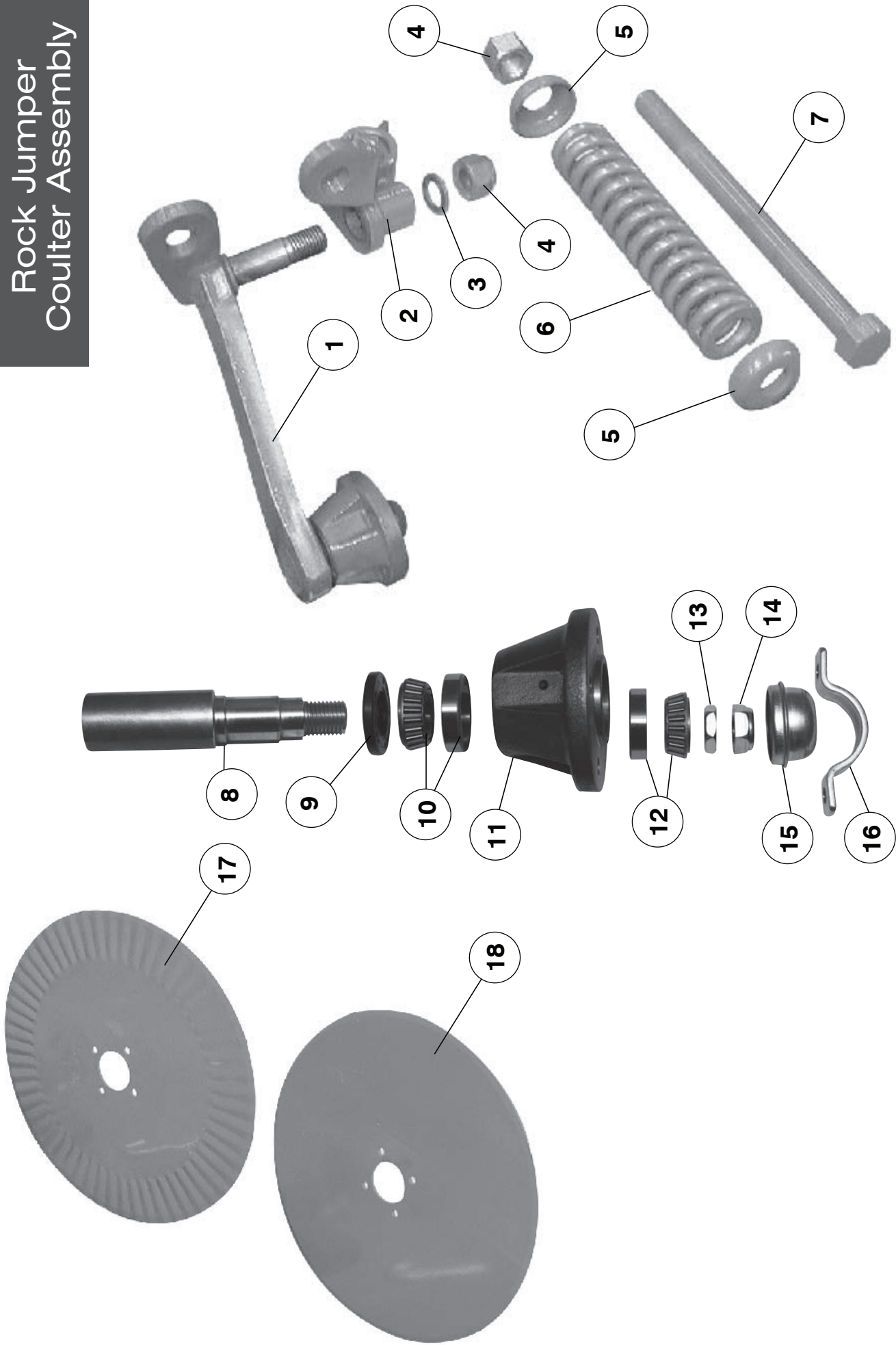
# Single Arm Coulter Assembly & Furrow Skimmer

NO	PART NUMBER	DESCRIPTION
1	103300	Coulter Stalk
2	410705	Single Arm Coulter C/W Hub
	410710	Single Arm Coulter - Less Hub
3	400785	Coulter Hub Bearings Complete
4	100136	Skimmer Mounting Block
5	4662	M16 x 40 Bolt Zinc
6	100138	Support Rod
7	100139	Single Arm Coulter Mouldboard
8	4666	M16 x 50 Bolt Zinc
9	104409	Coulter Axle Plain Bearing - Weld In
	400755	Coulter Axle Taper Bearing - Weld In
10	104414	Plastic Seal
11	104407	Taper Bearing (Inner)
12	400735	Taper Bearing Coulter (Hub)
13	104408	Taper Bearing (Outer)
14	7554	M20 Half Nut
15	7553	M20 Half Nyloc Nut
16	104410	Hub Cap
17	104412	Hub Cap Retainer

Go to page 21 for coulter blades



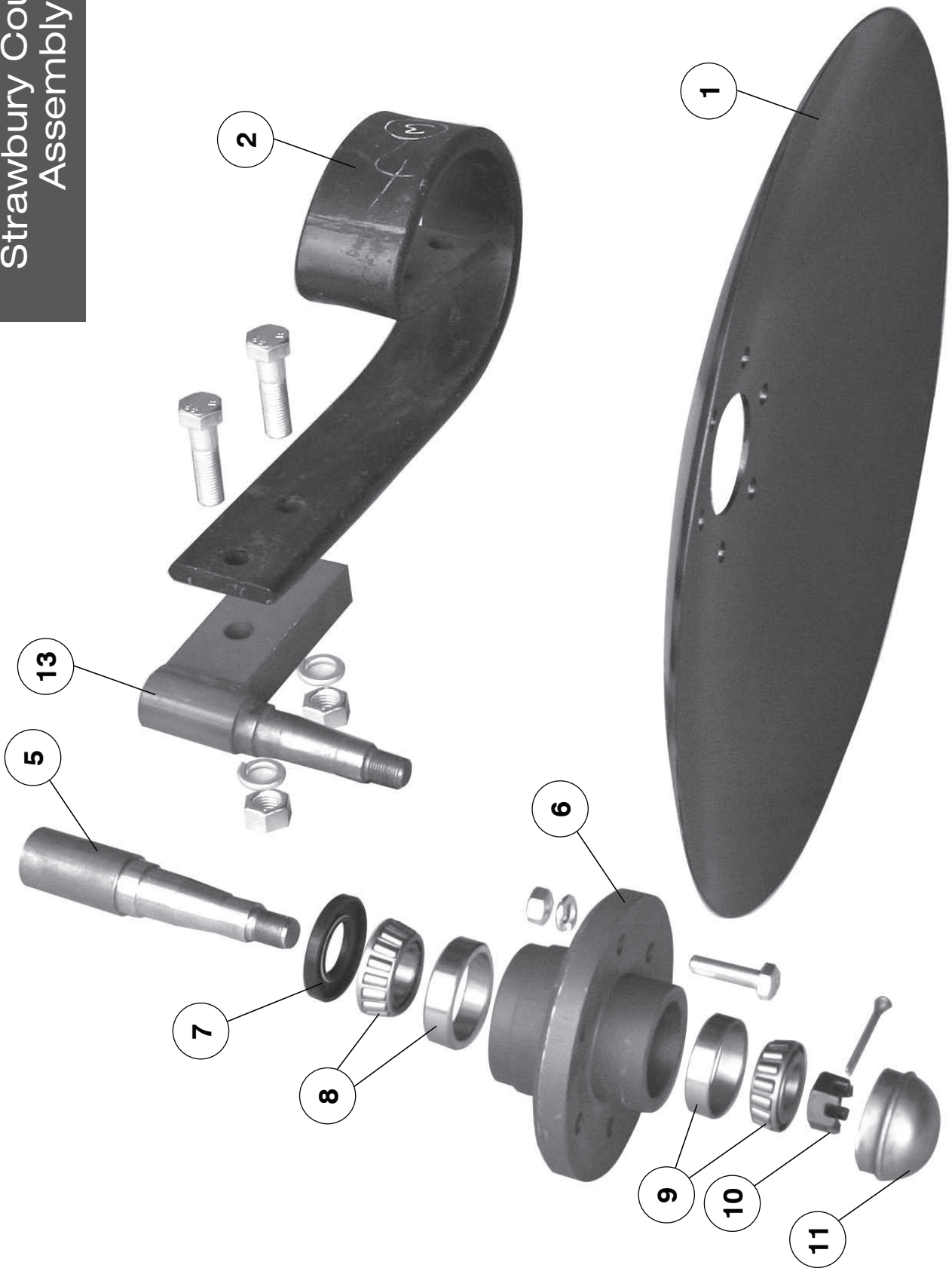
# Rock Jumper Coulters Assembly



# Rock Jumper Coulter Assembly

NO	PART NUMBER	DESCRIPTION
1	405301	Auto Reset Arm C/W Hub and Bearings
	405302	Auto Reset Arm Excl Hub and Bearings
2	405303	Stalk Boss - Cast
3	405304	Spacer
4	405305	Nut 1 1/8" UNC Nyloc
5	405306	Spring Retainer
6	405307	Spring
7	405308	Bolt
8	400755	Coulter Axle Taper Bearing - Weld In
9	104414	Plastic Seal
10	104407	Taper Bearing (Inner)
11	400735	Taper Bearing Coulter (Hub)
12	104408	Taper Bearing (Outer)
13	7554	M20 Half Nut
14	7553	M20 Half Nyloc Nut
15	104410	Hub Cap
16	104412	Hub Cap Retainer
17	104290	18" Fluted Coulter
	104325	20" Fluted Coulter
18	104280	18" Plain Coulter
	104315	20" Plain Coulter

# Strawbury Coulters Assembly



# Strawbury Coulter Assembly

---

NO	PART NUMBER	DESCRIPTION
1	104338	18" Strawbury Disc
2	400727	Coulter Spring Strawbury
3	400722	Coulter Boss (Not Shown)
4	400736	Hub Assembly Complete with Bearings (Items 6-10)
5	400739	Axle Bare
6	400732	Hub Bare
7	104423	Plastic Seal
8	104417	Taper Bearing (Inner)
9	104422	Taper Bearing (Outer)
10	7504	Castellated Nut 5/8 UNF
11	104410	Hub Cap
12	104412	Hub Cap Retainer (Not Shown) Refer Pp 21
13	400738	Henry Coulter Axle