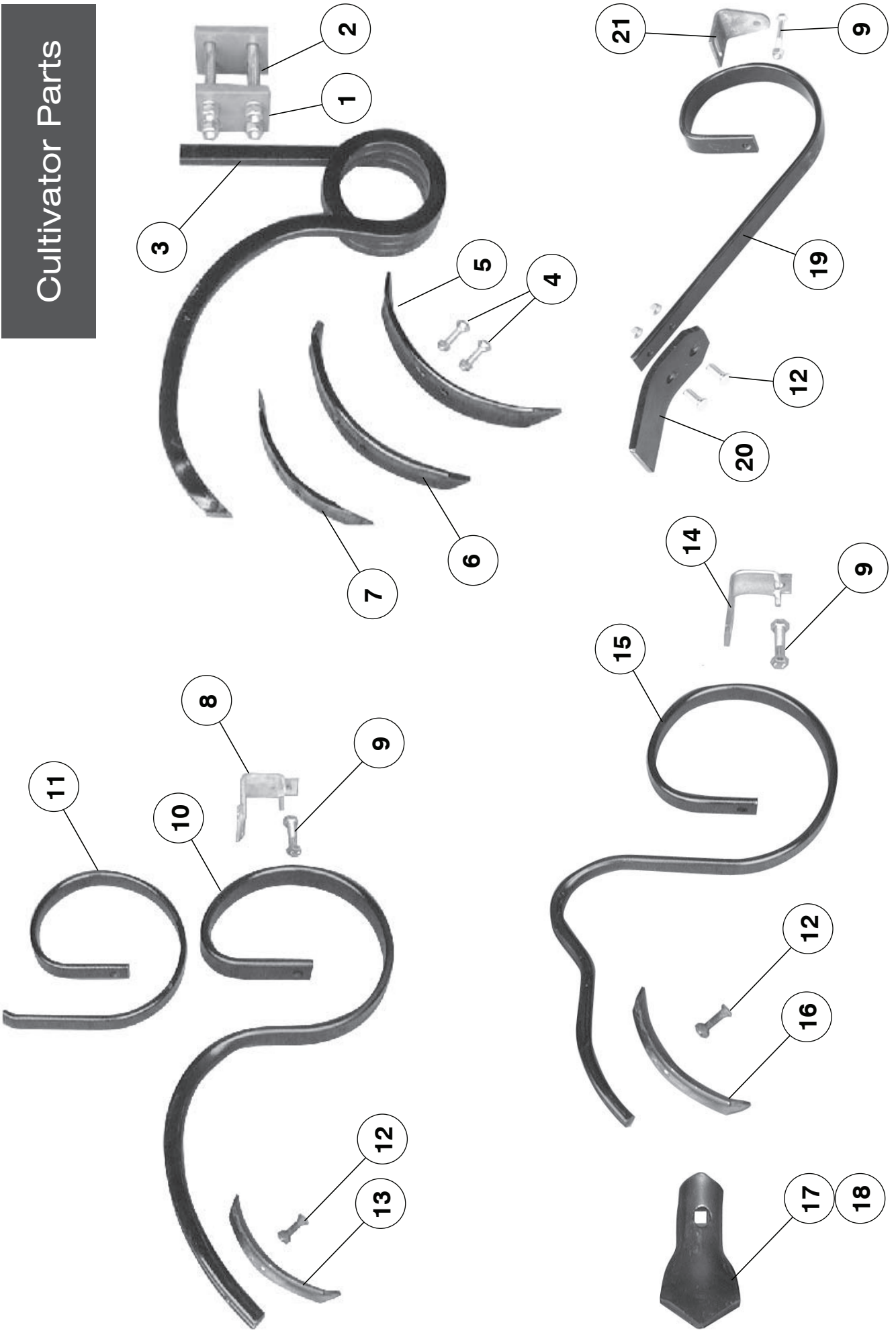


Cultivator Parts

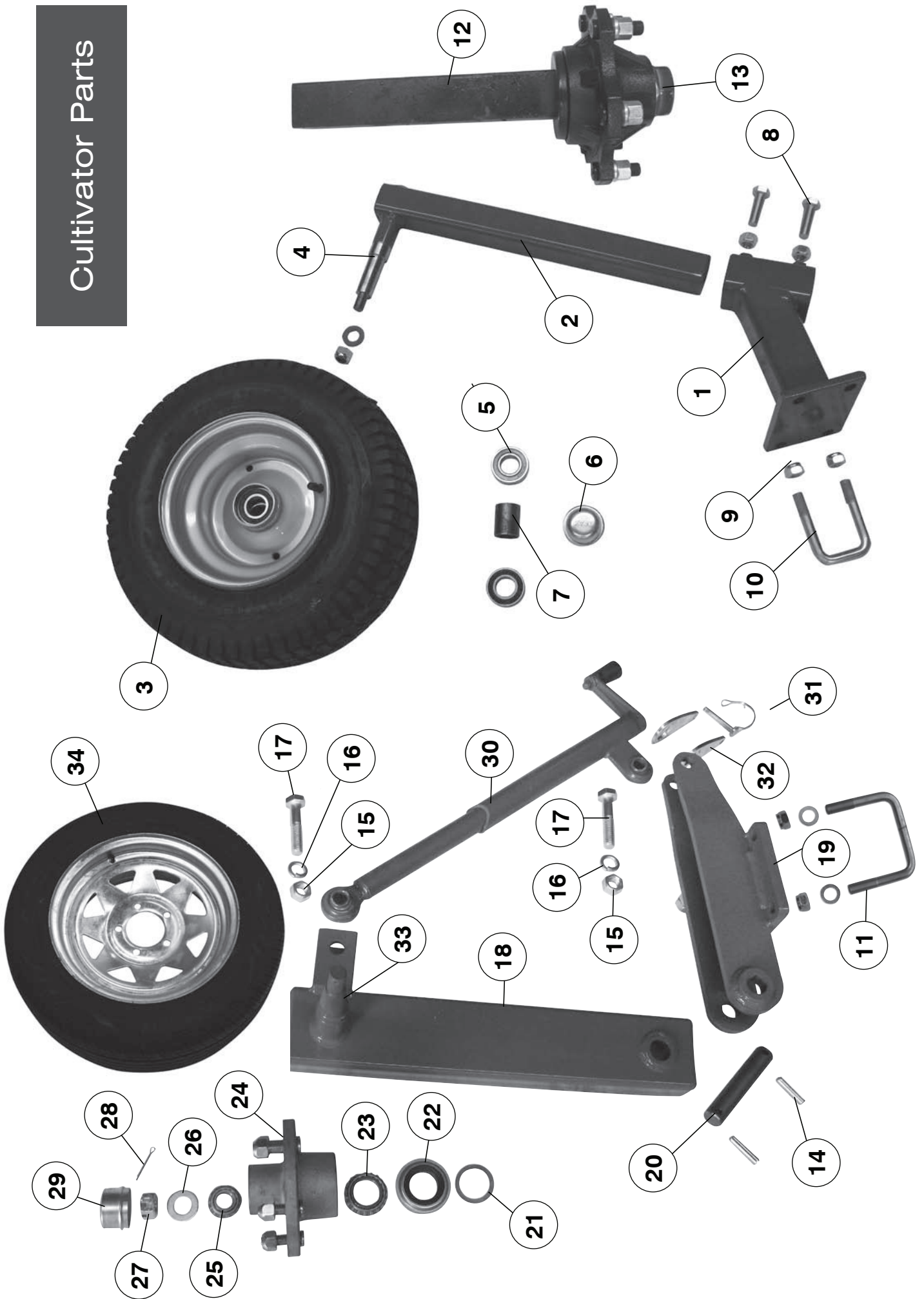


CULTIVATOR PARTS

Cultivator Parts

NO	PART NUMBER	DESCRIPTION
1	200900	Clamp Plate (Suits 89 x 89 RHS)
2	4680	M16 x 180 Bolt Zinc
3	200905	1" Square Coil Tine Right Front
	200910	1" Square Coil Tine Left Front
4	7007	Point Bolts 7/16" x 1 3/4"
5	200093	Reversible Point 355 x 50 x 12
6	200094	Reversible Point 295 x 50 x 12
7	200095	Reversible Point 260 x 50 x 8
8	204052	Tine and Helper Spring Clamp Plate
9	4561	M12 x 80 Bolt Zinc
10	204053	10mm S Tine C/W Point
	204050	12mm S Tine C/W Point
	204070	VTM S Tine 50 x 11mm
	204074	KKK Tine 32 x 10mm
11	204051	Helper Spring
12	7015	M10 x 35mm Bolt (CSK)
13	204080	Reversible Point
14	204075	10mm and 12mm Tine Clamp Plate
15	204055	RAU S Tine 32 x 10mm C/W Point
16	204073	KKK Reversible Point
17	204081	Cultivator Sweep 100mm Wide
18	204082	Cultivator Sweep 70mm Wide
19	204083	Paddle Tine
20	205610	Paddle Tip 100 Wide
21	203018	Clamp Plate (65 x 65 RHS) 50 x 10 Tine
	203019	Clamp Plate (50 x 50 RHS) 50 x 10 Tine

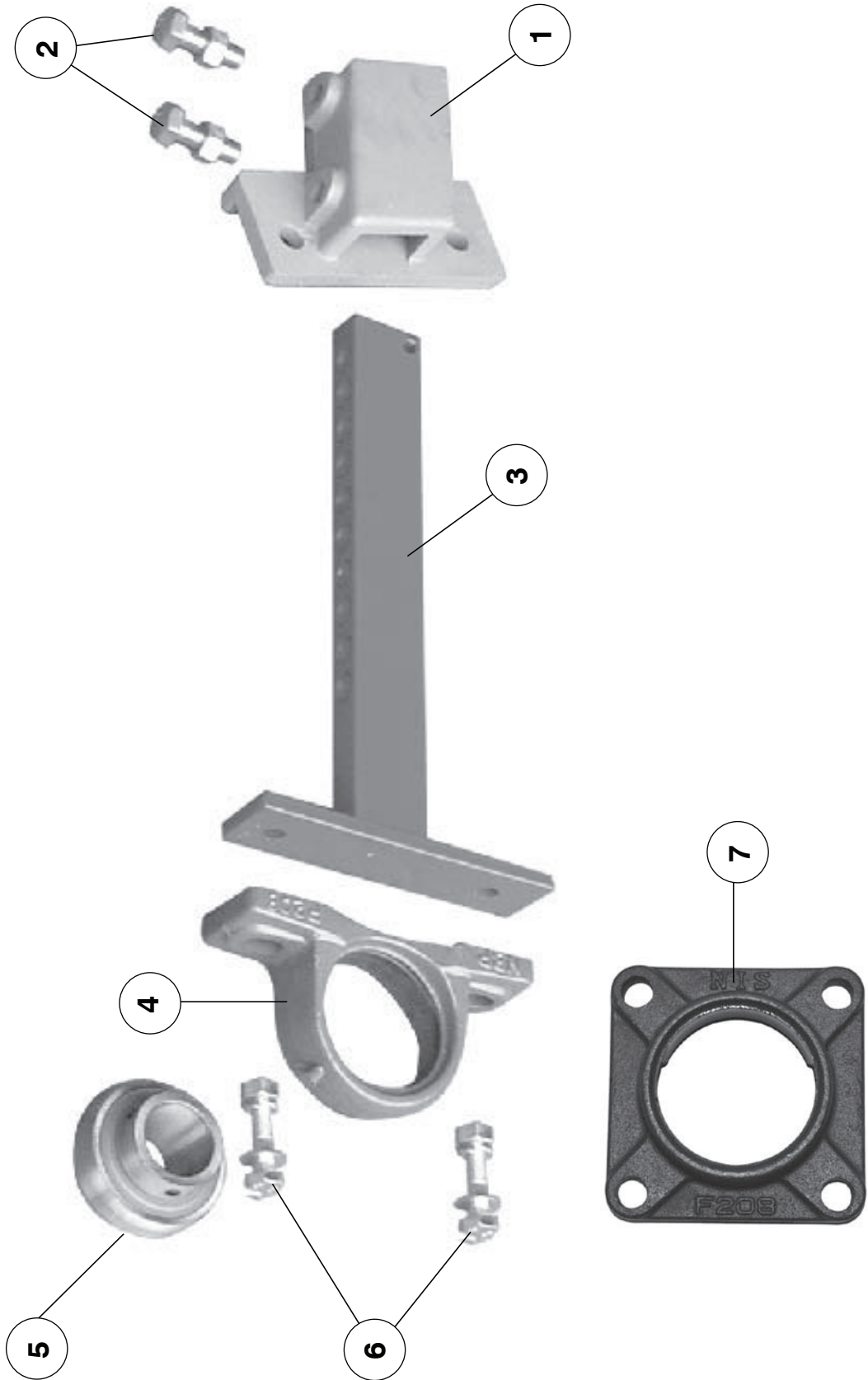
Cultivator Parts



Cultivator Parts

NO	PART NUMBER	DESCRIPTION
1	203034	Wing Wheel Bracket
2	203035	Wing Wheel Stalk C/W Axle
3	203036	Centrefold Wing Wheel
4	203037	Axle C/W Nut & Washer
5	203038	Wing Wheel Bearing
6	203039	Wing Wheel Hub Cap
7	203040	Bearing Spacer
8	7102	Set Screw M16x50
9	203043	M16 Nylock Nut
	203033	Wing Wheel Assembly Complete
10	204104	ZP U Bolt M16
11	204102	ZP U Bolt M16
12	107964	6 Stud 60 Sq. Hub and Stub
	108008	Large Bearing
	108009	Small Bearing
	108010	Bearing Seal 80 x 100 x 13
13	108003	Bearing Cap 70mm - Screw in
	108007	60 Sq. Axle Hub Cap
14	7555	M10 x 50 Roll Pin
15	7057	3/4 UNC Hex Nut Grade 8
16	7058	3/4 ZP Spring Washer
17	7059	Bolt 3/4 x 3 1/2
18	204005	Axle Carrier
19	204006	Adjusting Arm Holder
20	204007	Joining Pin (10mm holes)
21	204008	Seal Washer
22	204009	Hub Seal
23	204010-01	Outer Bearing
24	204011-1	Hub 103 Wing Wheel
25	204012-01	Inner Bearing
26	204013	3/4 Washer
27	204014	3/4 Slotted Nut
28	204015	Split Pin 4 x 32
29	204016-1	Hub Cap
30	204025	Adjusting arms (9JW02SP)
31	204026	10mm Shaft Locking Pins
32	204027	Wing Wheel Handle Holder
33	204088	Axle
34	204089	Trailing Maxitill Wheel
	205455	103 Wing Wheel Complete

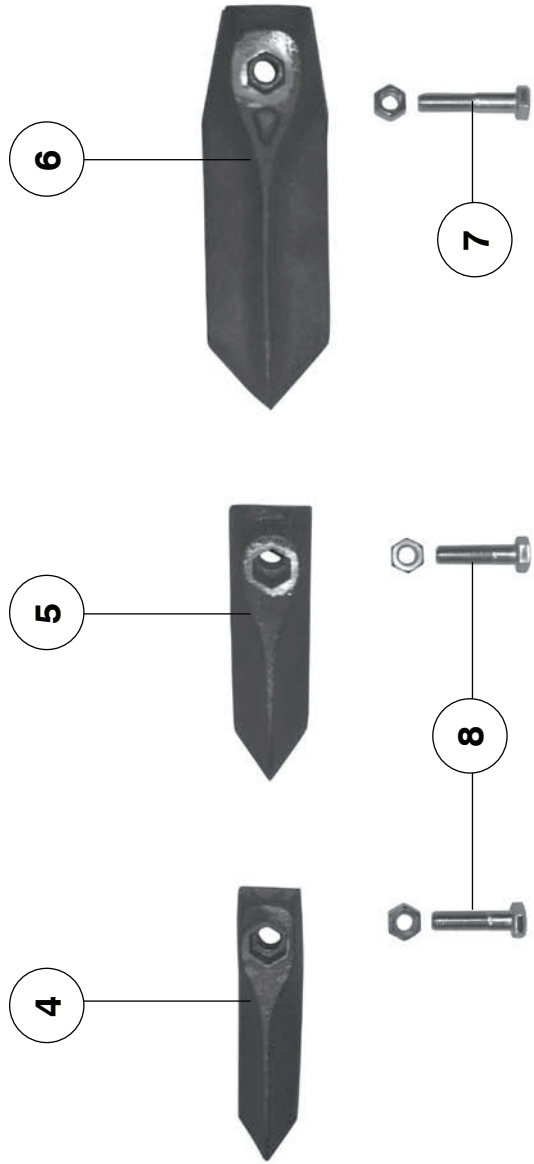
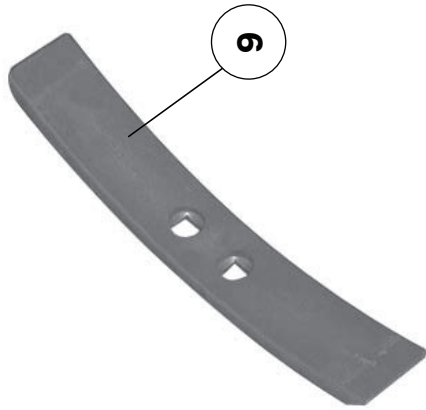
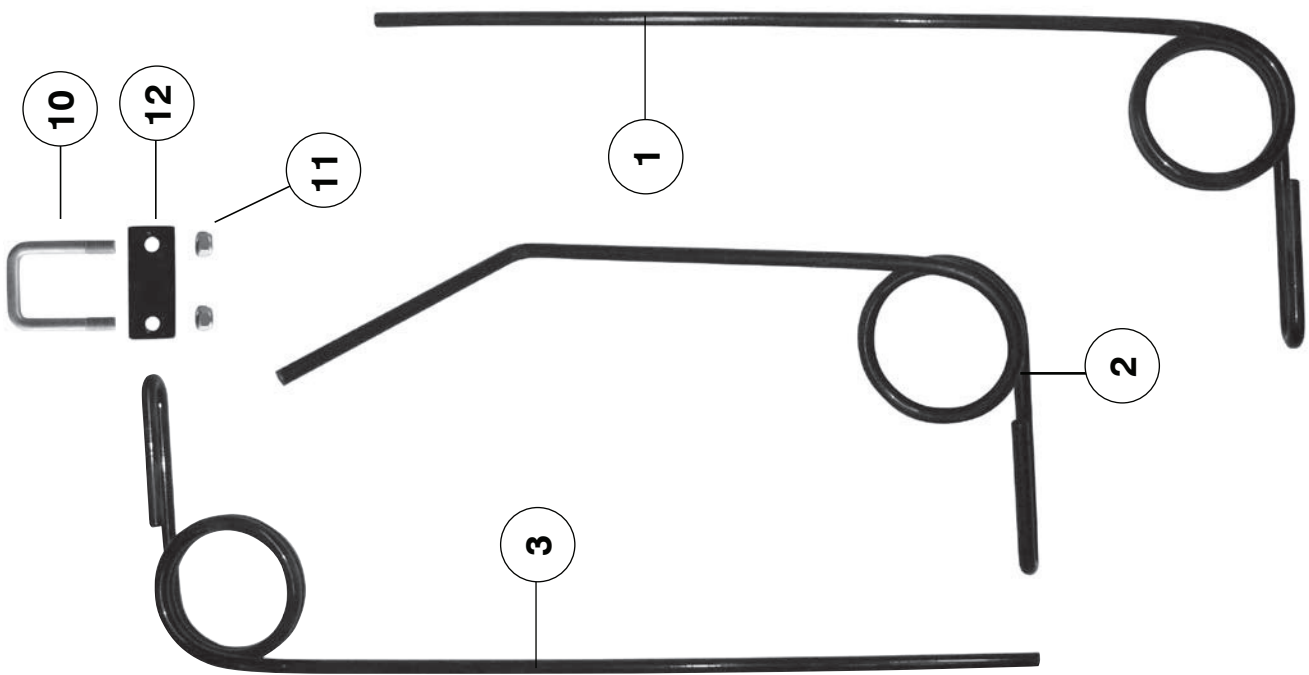
Crumbler Mounting Assembly



Crumbler Mounting Assembly

NO	PART NUMBER	DESCRIPTION
1	204715	Roller Mounting Block Left Hand
	204716	Roller Mounting Block Right Hand
2	7100	Bolts and Lock Nuts M16 x 40
3	204710	Adjustable Roller Stalk
4	203200	Bearing Housing
5	203240	Bearing
6	7085	Bearing Bolts M12 x 50 (Each)
7	203201	Bearing Housing Flange Type

Tines and Points



Tines and Points

NO	PART NUMBER	DESCRIPTION
1	204054	Finger Tine Straight
2	202718	Finger Tine Front
3	202719	Finger Tine Rear
4	204046	Cast Maxi Point-100
5	204047	Cast Maxi Point-150
6	204049	60mm Maxi Point 1" Coil Tine
7	7016	Bolt M10 x 50
8	7068	Bolt M10 x 40
9	440100	Panbuster Point 420 x 75mm (2 Holes)
	440107	Panbuster Point 420 x 75mm (3 Holes)
	7020	Bolt 5/8" x 3"
10	7021	U Bolt 12mm
11	7022	12mm Nyloc Nut
12	7023	Finger Tine Clamp