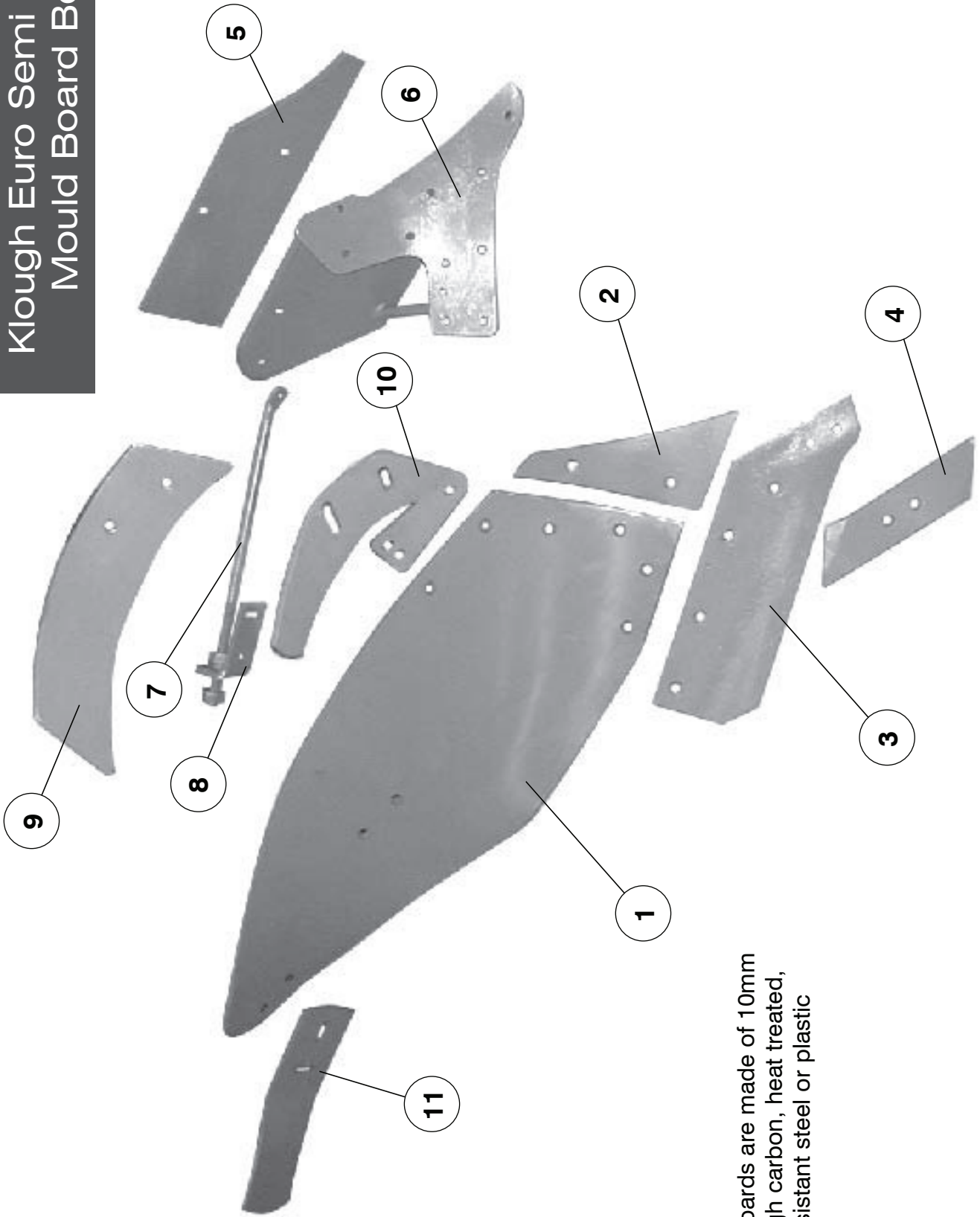


# Klough Euro Semi Digger Mould Board Body



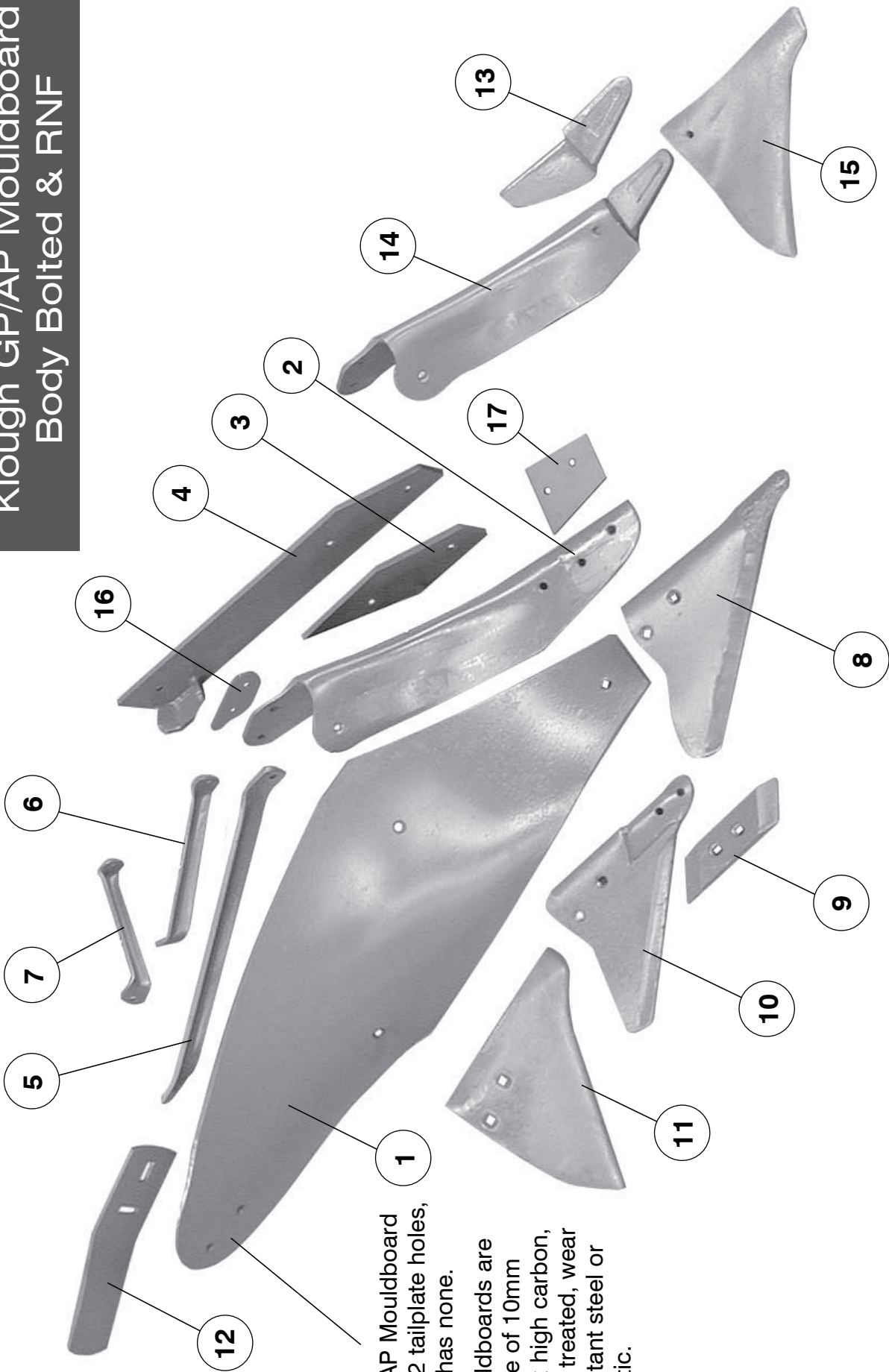
Mouldboards are made of 10mm thick high carbon, heat treated, wear resistant steel or plastic

# MOULDBOARD BODY ASSEMBLIES

## Semi Digger Euro Mouldboard Body

NO	PART NUMBER	DESCRIPTION
1	100610	Mouldboard Semi-digger Euro
	100611	Plastic Mouldboard Semi-digger Euro
2	100615	Shin Piece
3	100131	12" Reversible Point Share Semi-digger
	100132	14" Reversible Point Share Semi-digger
	100133	16" Reversible Point Share Semi-digger
	100134	18" Reversible Point Share Semi-digger
4	100135	Share Reversible Point Semi-digger
5	101124-1	Sole Plate Semi Digger
6	101537	Saddle Semi-digger
7	100984	Mouldboard Stay Semi-digger
8	100983	Stay Bracket Semi-digger
	101036	Plastic Mouldboard Back Support Semi-digger
9	100604	Trash Deflector Blade (Steel)
	100603	Trash Deflector Blade (Plastic)
10	100605	Trash Deflector Bracket
11	100601	Tail Plate
	100630	Semi-digger Assembly Complete (Steel))
	100631	Semi-digger M/Board Assembly (Plastic)

# Klough GP/AP Mouldboard Body Bolted & RNF



GP/AP Mouldboard has 2 tailplate holes, 850 has none.

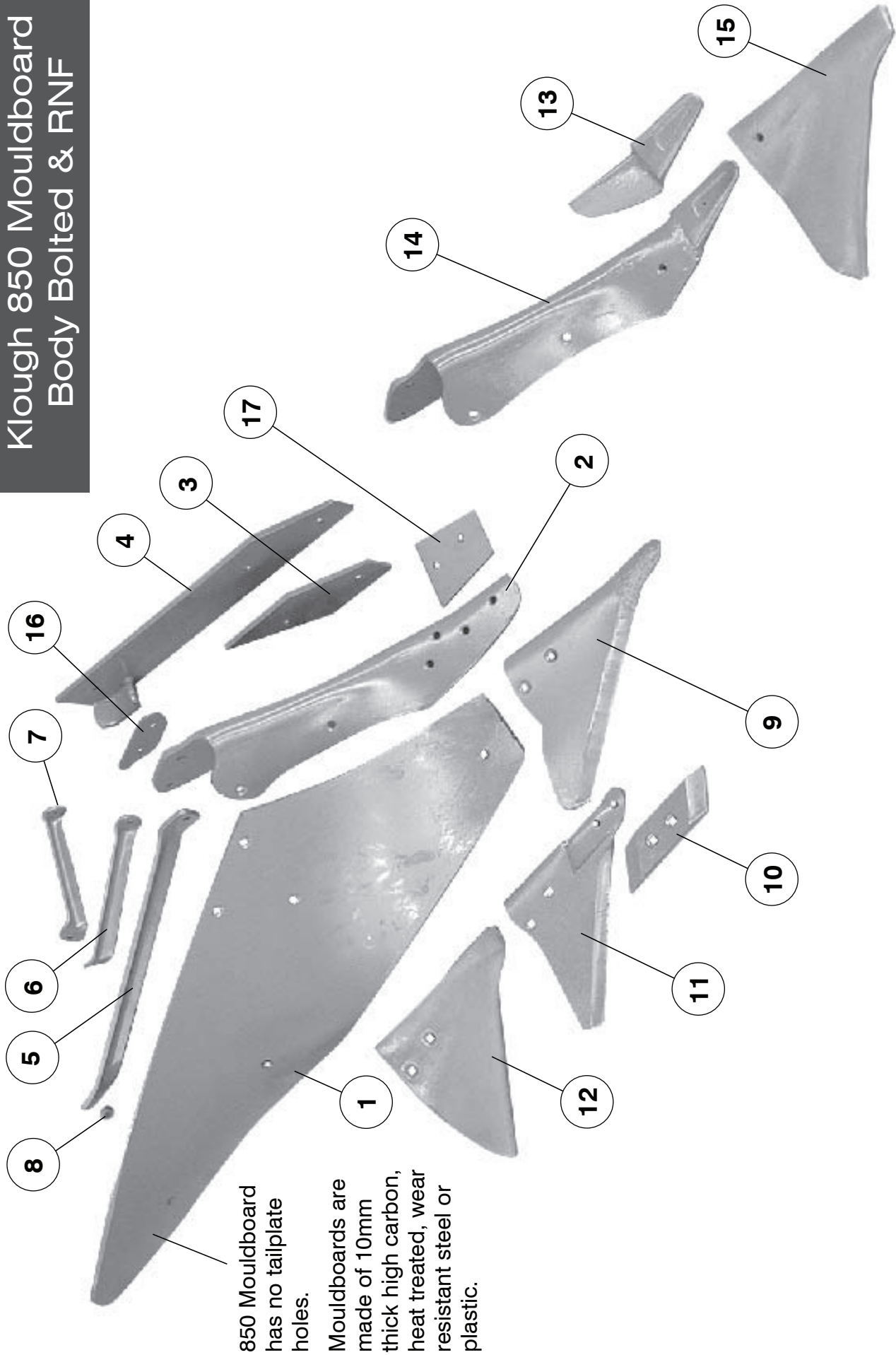
Mouldboards are made of 10mm thick high carbon, heat treated, wear resistant steel or plastic.

N.B. Refer to other pages in this section for extra shares available or plastic

# GP/AP Mouldboard Body Bolted & RNF

NO	PART NUMBER	DESCRIPTION
1	100350	Mouldboard 14" Bolted GP/AP
	100480	Mouldboard 12" and 14" RNF GP/AP
	100481	Plastic Mouldboard 12" and 14" RNF GP/AP
	100351	Plastic Mouldboard Bolted GP/AP
2	101325	Saddle GP/AP Bolted
	101326	Saddle Bolted GP/AP - Reinforced
3	101135-1	Sole Plate (Short)
4	101125	Sole Plate (Long)
5	101028	Mouldboard Stay (Long)
	101035	Plastic Mouldboard Stay (Long)
6	100995	Mouldboard Stay (Medium)
	100996	Mouldboard Stay Plastic GP/AP (Medium)
7	101000	Mouldboard Stay (Short)
	101034	Plastic Mouldboard Stay (Short) Plastic GP/AP
8	100010	Bolted Share 12" Steel
	100015	Bolted Share 14" Steel
	100020	Bolted Share 16" Steel
9	100027	Reversible Share Point
10	100022	Bolted Reversible Point Share 14"
11	100054	Bolted SG Share 12"
	100056	Bolted SG Share 14"
12	101100	Tail Plate GP/AP
13	101336t	RNF Toe Only
14	101335s	Saddle RNF GP/AP
15	100105	RNF 14" SG Share
	100113	RNF 12" SG Share
	100125	RNF Share NIHARD
16	100104	Saddle Reinforced Plate
17	100525	Plastic Mouldboard Share Packer
	100633	Henry Mouldboard - Not Shown
	100632	Dunhill Mouldboard - Not Shown
	100635	Duncan Mouldboard - Not Shown

# Klough 850 Mouldboard Body Bolted & RNF



850 Mouldboard has no tailplate holes.

Mouldboards are made of 10mm thick high carbon, heat treated, wear resistant steel or plastic.

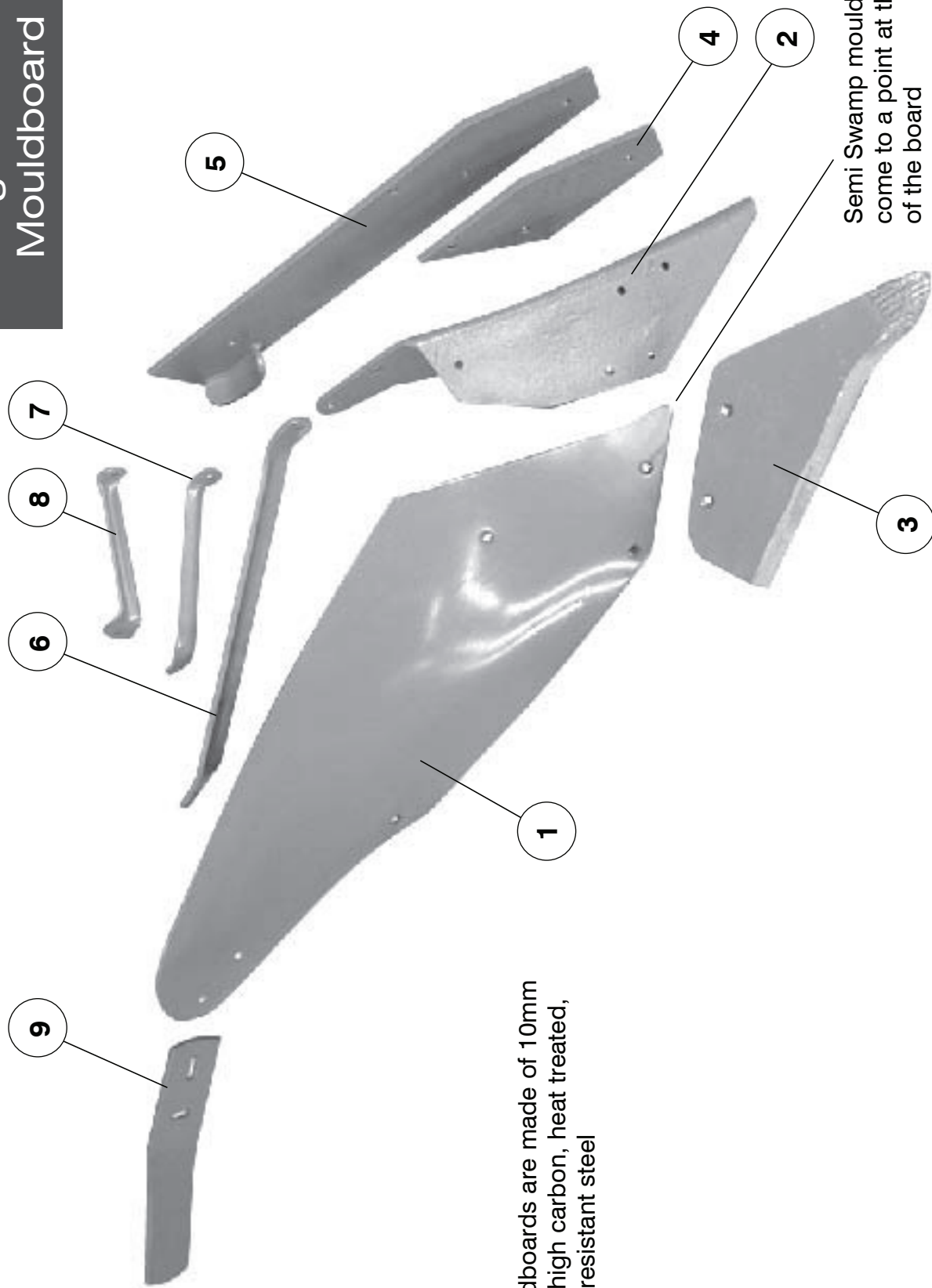
N.B. Refer to other pages in this section for extra shares available or plastic

## **850 Mouldboard Body Bolted & RNF**

<b>NO</b>	<b>PART NUMBER</b>	<b>DESCRIPTION</b>
1	100430	Mouldboard 850 Bolted Multi-purpose
	100431	Mouldboard Bolted Plastic 850 Multi-purpose
	100505	Mouldboard RNF 850 Multi-purpose
	100506	Mouldboard RNF Plastic 850 Multi-purpose
	100514	Mouldboard High Clearance Bolted
	100515	Mouldboard High Clearance RNF
2	101375	Saddle 850 Bolted
	101376	Saddle Bolted - Reinforced
3	101135-1	Sole Plate (Short)
4	101125	Sole Plate (Long)
5	101028	Mouldboard Stay (Long)
	101029	Mouldboard Stay (Long) Plastic 850
6	100995	Mouldboard Stay (Medium)
	101030	Plastic 850 Mouldboard Stay (Medium)
7	101000	Mouldboard Stay (Short)
	101031	Plastic 850 Mouldboard Stay (Short)
8	100982	Long Mouldboard Stay Spacer
9	100010	Bolted Share 12" Steel
	100015	Bolted Share 14" Steel
	100020	Bolted Share 16" Steel
10	100027	Reversible Share Point
11	100022	Bolted Reversible Point Share 14"
12	100054	Bolted SG Share 12"
	100056	Bolted SG Share 14"
13	101336	RNF Toe Only
14	101385	Saddle RNF 850
15	100105	RNF 14" SG Share
	100112	RNF 12" SG Share
	100125	RNF Share NIHARD
16	101535	Saddle - Reinforced Plate
17	100525	Plastic Mouldboard Share Packer
	100512	850 Bottom Assembly Complete Steel
		Includes 1,2,3,5,6,8,9,16 & Bolts



# Klough Semi Swamp Mouldboard Body



Mouldboards are made of 10mm thick high carbon, heat treated, wear resistant steel

Semi Swamp mouldboards come to a point at the front of the board

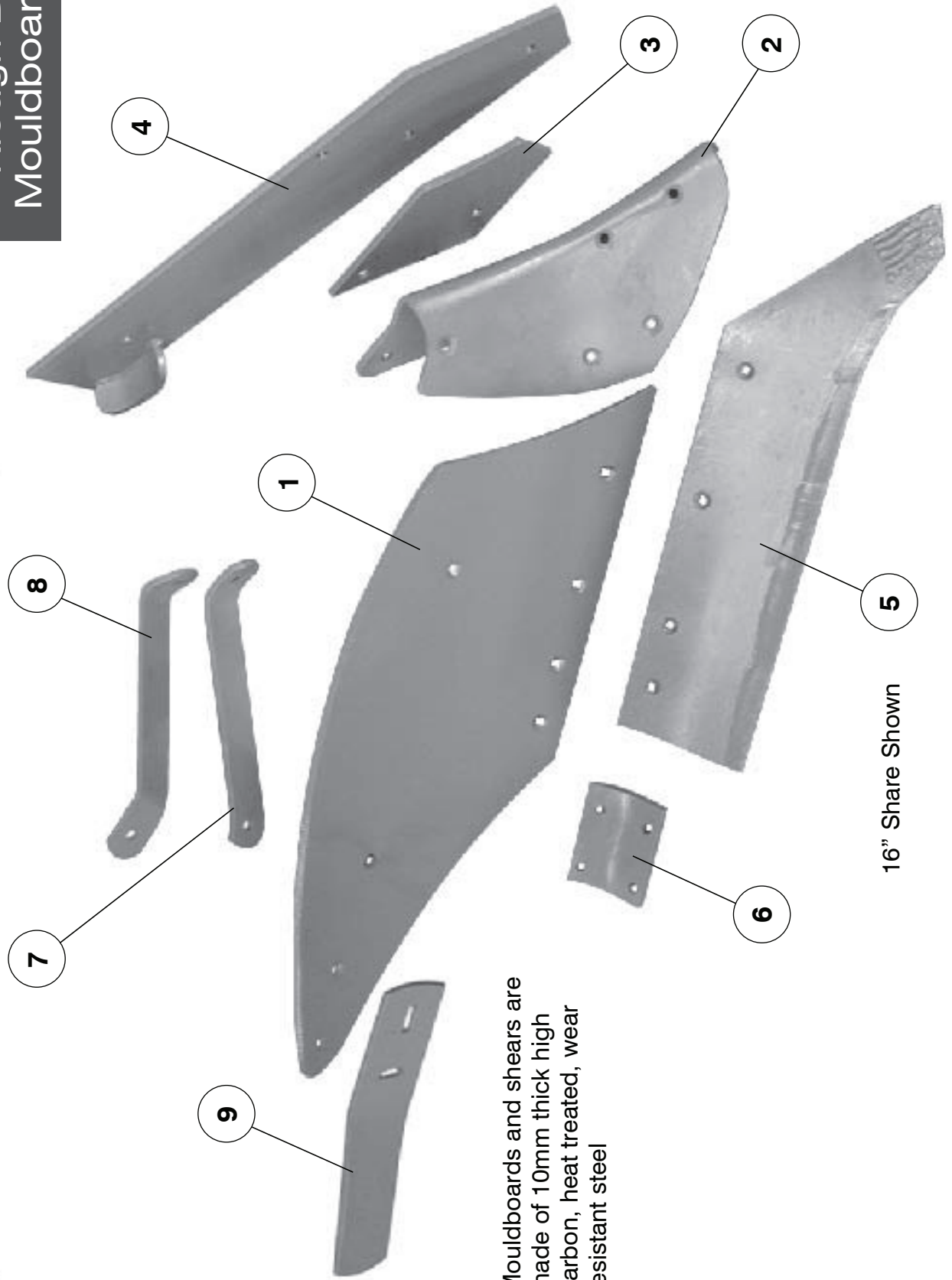
# Semi Swamp Mouldboard Body

---

NO	PART NUMBER	DESCRIPTION
1	100330	Mouldboard Semi Swamp Bolted
	100320	Mouldboard Medium Swamp Bolted
	100310	Mouldboard Full Swamp Bolted
2	101330	Saddle Semi-swamp
	100085	16" Semi Swamp Share
	100090	18"/20" Medium Swamp Share
3	100095	20"/22" Full Swamp Share
	101140	Sole Plate (Short) Semi-swamp
	101130	Sole Plate (Long) Semi-swamp
6	101028	Mouldboard Stay (Long)
7	100995	Mouldboard Stay (Medium)
8	101000	Mouldboard Stay (Short)
9	101100	Tail Plate GP/AP



# Klough Digger Mouldboard Body



Mouldboards and shears are made of 10mm thick high carbon, heat treated, wear resistant steel

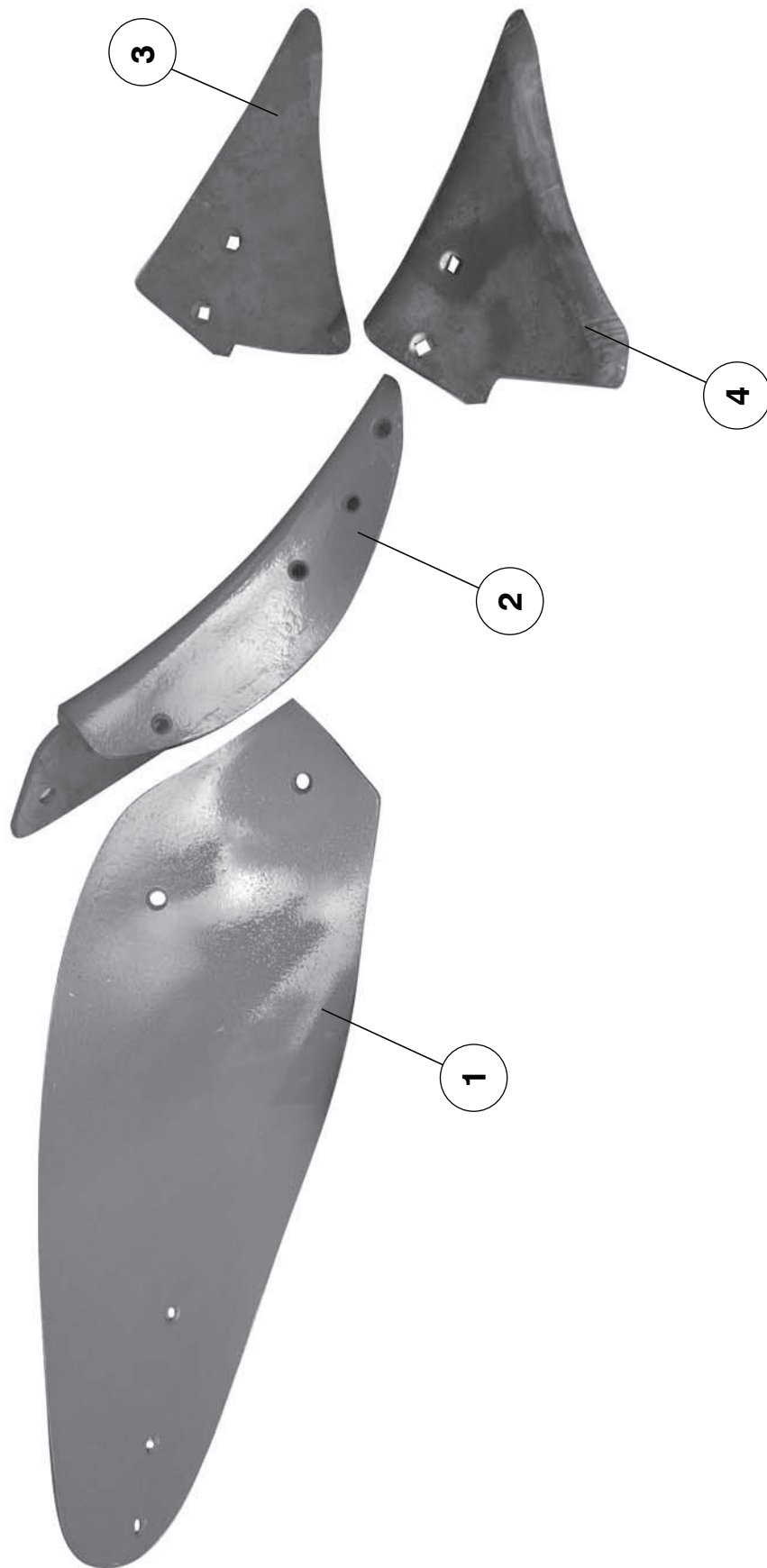
16" Share Shown

## **Digger Mouldboard Body**

---

<b>NO</b>	<b>PART NUMBER</b>	<b>DESCRIPTION</b>
1	100370	Mouldboard 12" Digger
	100380	Mouldboard 14"/16" Digger
2	101340	Saddle Digger
3	101160	Sole Plate (Short) Digger
4	101150	Sole Plate (Long) Digger
5	100050	Share 12" Digger
	100055	Share 14" Digger
	100060	Share 16" Digger
6	101045	Stay Plate 12" Digger
	101050	Stay Plate 14" & 16" Digger
7	101015	Mouldboard Stay - Front Digger (Short)
8	101020	Mouldboard Stay - Rear Digger (Long)
9	101105	Tail Plate Digger

Massey Ferguson  
Mouldboard Body



# Massey Ferguson Mouldboard Body

---

NO	PART NUMBER	DESCRIPTION
1	100420	Massey Ferguson Mouldboard
2	100360	Massey Ferguson Saddle
3	100065	MF Share Fabricated
4	100070	MF Share Folded
	100071	MF 12" Digger Share
	100096	Lea Plough Share