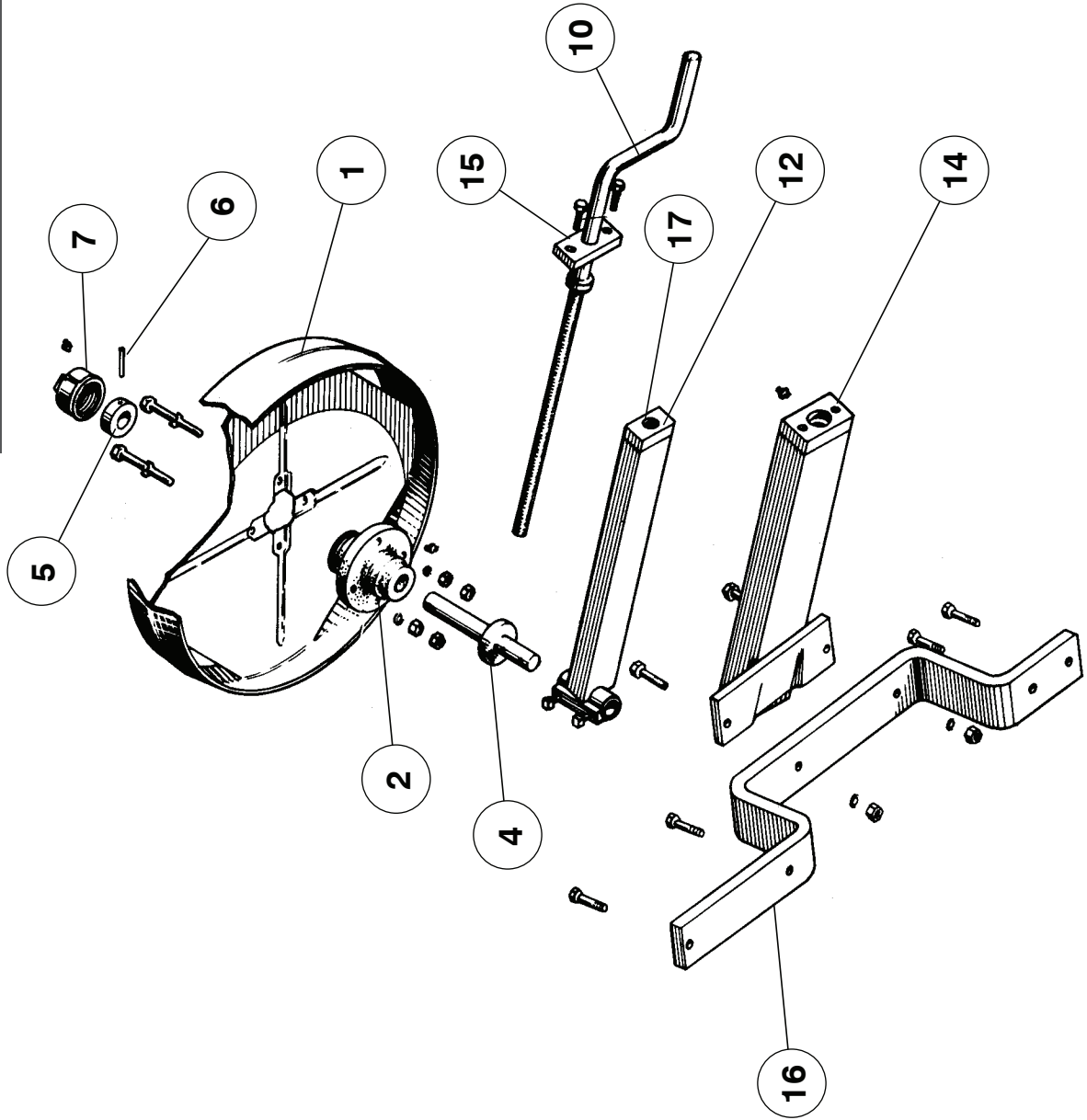


Landwheel for A(1) Series Two
and Multi-Furrow Ploughs

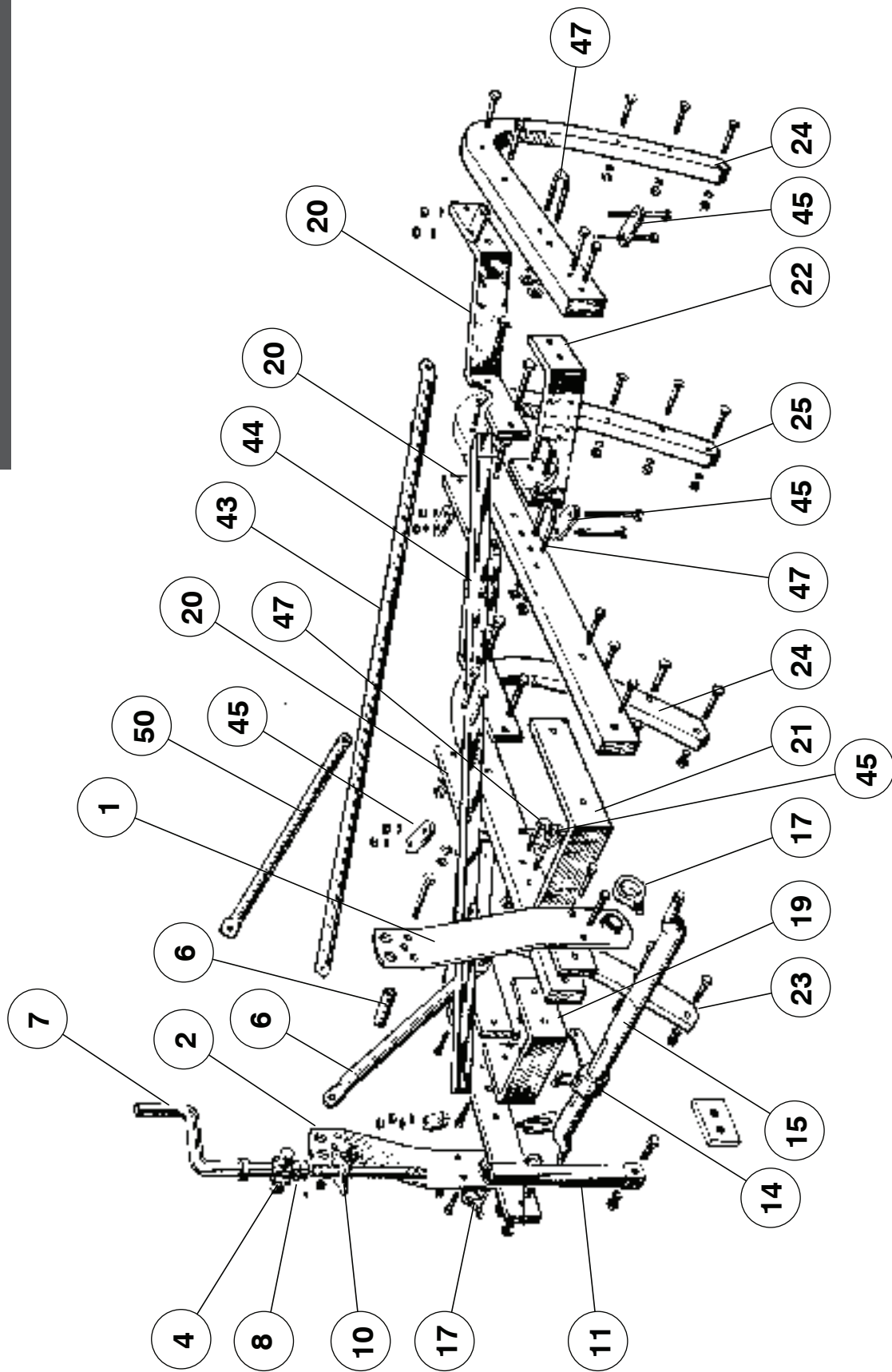


MOUNTED BRACING PLOUGHS

Landwheel for A(1) Series Two and Multi-Furrow Ploughs

NO	PART NUMBER	DESCRIPTION
1	103905	Landwheel 19" Steel
	103910	Landwheel 16" Steel
2	104010	Hub - Landwheel
4	104020	Axle with Sandwasher
5	104700	Collar - Stub Axle - Retaining
6	104040	Retaining Pin
7	108005	Cap - Wheel Hub
10	103150	Screw - Depth Adjusting
12	104125	Column - Inner Mounted
	104130	Column - Inner Semi-Mounted
14	104135	Column - Outer Mounted GP-AP-SS Std
	104140	Column - Outer Semi-Mounted GP-AP-SS
15	104155	Plate - Retaining
16	102685	Bracket - Wheel Assembly Support SS
	102680	Bracket - Wheel Assembly Support GP-AP
17	104110	L/W Nut - Weld On

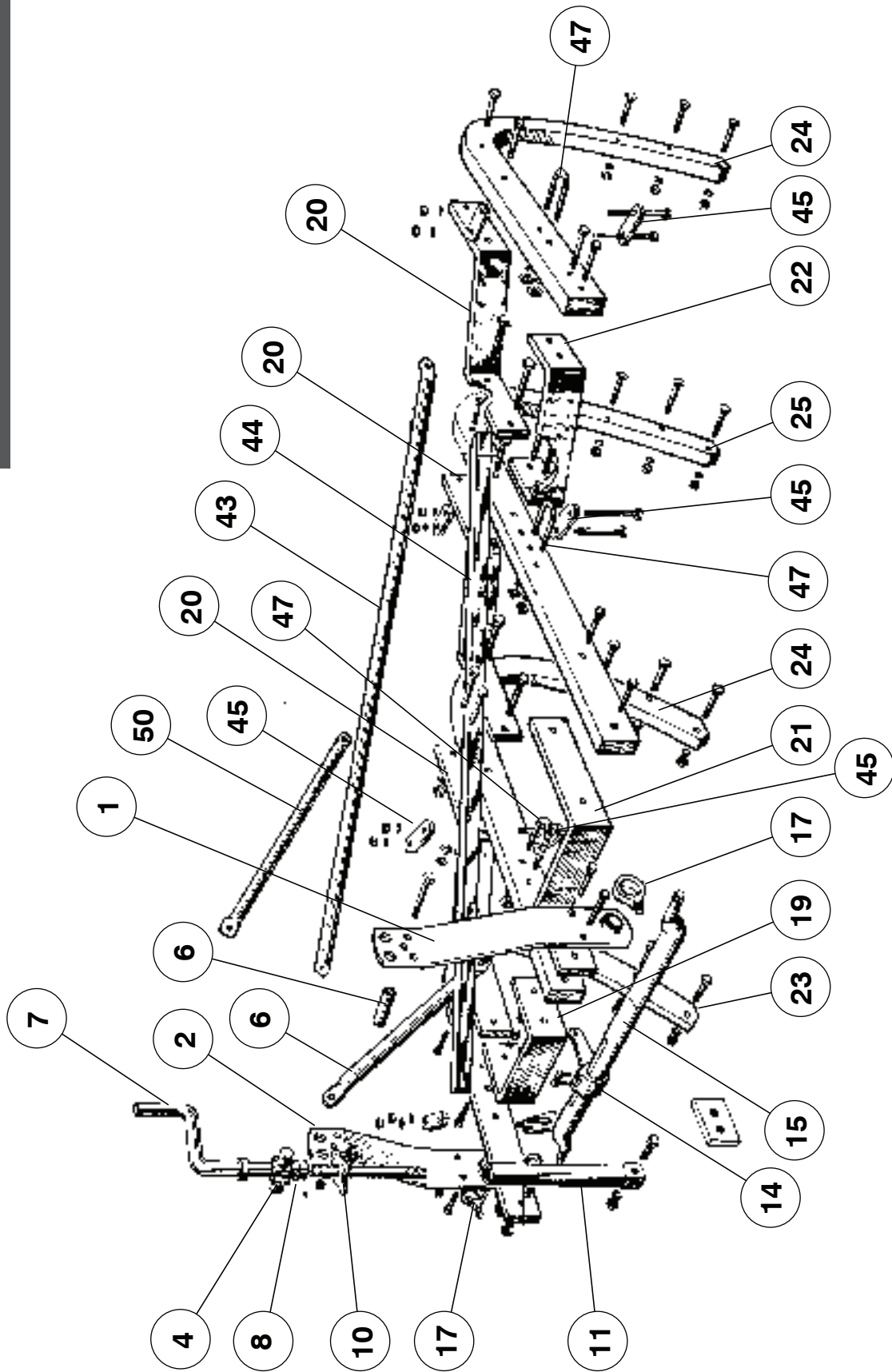
Two, Three, Four Furrow Plough Frames



Two, Three, Four Furrow Plough Frames

NO	PART NUMBER	DESCRIPTION
1	102905	Support - Link Stay - Left 12"
	102910	Support - Link Stay - Left 14"
2	102915	Support - Link Stay - Right 12"
	102920	Support - Link Stay - Right 14"
4	103200	Width Block
5	103050	Link Stay - Tubular - Right
6	103205	Spacer - Linkage - 2 3/16" x 5/8" ID
7	103180	Screw - Width 1 1/8"
8	103210	Collar - Retaining - 1" x 1 1/8" ID
10	103190	Lock Nut - 1 1/8"
11	103170	Adjusting Nut - Width - 1 1/8"
14	103520	Arm - Adjusting
16	103455	Draught Bar - Cat. 1 (as required)
	103460	Draught Bar - Cat. 2 (as required)
17	103525	Collar - Two per Draught Bar
19	103700	Bracket - Spacer 12" x 3 1/2"
	103705	Bracket - Spacer 14" x 3 1/2"
	103710	Bracket - Spacer 12" x 4"
	103715	Bracket - Spacer 14" x 4"
	103720	Bracket - Spacer 16" x 4"
20	101560	Diagonal Brace 12" x 3 1/2"
	101565	Diagonal Brace 14" x 3 1/2"
	101580	Diagonal Brace 12" x 4"
	101585	Diagonal Brace 14" x 4"
	101595	Diagonal Brace 16" x 4"
21	102610	Bracket - Z 12" x 3 1/2"
	102615	Bracket - Z 14" x 3 1/2"
	102620	Bracket - Z 12" x 4" H/D
	102625	Bracket - Z 14" x 4" H/D
	102630	Bracket - Z 16" x 4" H/D
22	103740	Bracket - Spacer - 4th Beam 12" x 3 1/2"
	103745	Bracket - Spacer - 4th Beam 14" x 3 1/2"
	103750	Bracket - Spacer - 4th Beam 12" x 4"
	103755	Bracket - Spacer - 4th Beam 14" x 4"
	103760	Bracket - Spacer - 4th Beam 16" x 4"

Two, Three, Four Furrow Plough Frames



Two, Three, Four Furrow Plough Frames

NO	PART NUMBER	DESCRIPTION
23	100695	Beam - 1st Section - 4" x 1 1/2" Ruapuna
	100680	Beam - 1st Section - 3 1/2" x 1 1/2" GP/AP
24	100700	Beam - 2nd Section - 4" x 1 1/2" Ruapuna
	100685	Beam - 2nd & 4th Section - 3 1/2" x 1 1/2" GP/AP
25	100705	Beam - 3rd Section - 4" x 1 1/2" Ruapuna
	100690	Beam - 3rd Section - 3 1/2" x 1 1/2" GP/AP
43		Link Stay - Tubular - RH
44		Back Braces
45		Clamping Plate - Back Brace to Beam
47	103620	U Bolt - Clamping Stalks
48	103640	Bracket - Coulter 3"
	103645	Bracket - Coulter 3 1/2"
	103650	Bracket - Coulter 4"
50		Link Stay - Tubular - LH