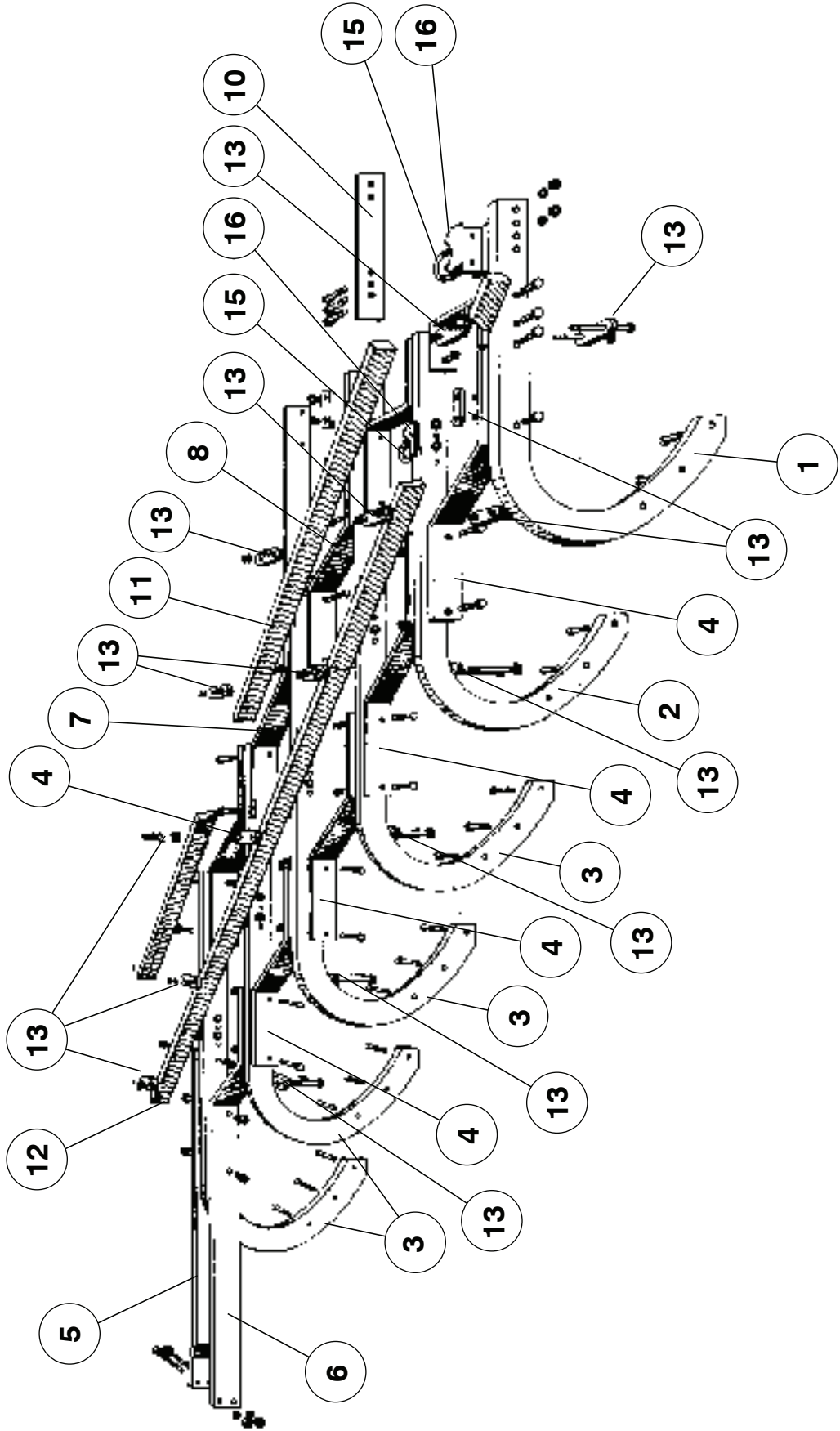


Semi-Mounted Plough Frames

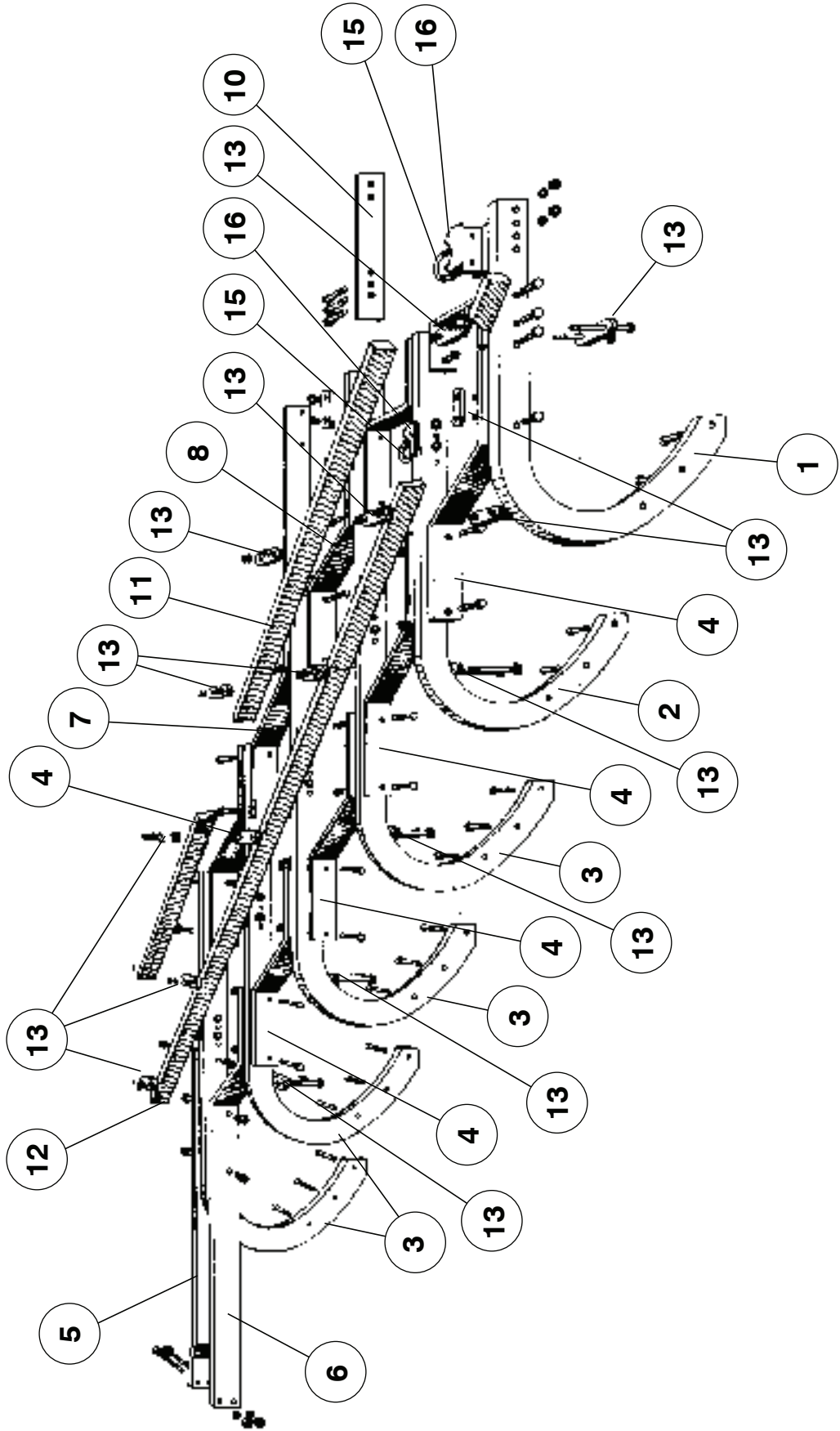


SEMI-MOUNTED BRACING PLOUGHS

Semi-Mounted Plough Frames

NO	PART NUMBER	DESCRIPTION
1	100680	Beam - 1st 3 1/2" GP-AP
	100695	Beam - 1st 4" Ruapuna
2	100685	Beam - 2nd 3 1/2" GP-AP
	100700	Beam - 2nd 4" Ruapuna
3	100690	Beam - 3rd 3 1/2" GP-AP
	100705	Beam - 3rd 4" Ruapuna
4	101560	Diagonal Brace 12" x 3 1/2"
	101565	Diagonal Brace 14" x 3 1/2"
	101580	Diagonal Brace 12" x 4"
	101585	Diagonal Brace 14" x 4"
	101595	Diagonal Brace 16" x 4"
5	101600	Diagonal Brace - Rear Wheel 12" x 3 1/2"
	101605	Diagonal Brace - Rear Wheel 14" x 3 1/2"
	101610	Diagonal Brace - Rear Wheel 14" x 4"
	101615	Diagonal Brace - Rear Wheel 16" x 4"
	101625	Diagonal Brace - Rear Wheel 12" x 4"
6	105505	Support Brace - Rear Wheel 3 1/2"
	105510	Support Brace - Rear Wheel 4"
7	101560	Diagonal Brace - 4th Beam Front 12" x 3 1/2"
	101565	Diagonal Brace - 4th Beam Front 14" x 3 1/2"
	101580	Diagonal Brace - 4th Beam Front 12" x 4"
	101585	Diagonal Brace - 4th Beam Front 14" x 4"
	101595	Diagonal Brace - 4th Beam Front 16" x 4"
8	101560	Diagonal Brace - 3rd Beam Front 12" x 3 1/2"
	101565	Diagonal Brace - 3rd Beam Front 14" x 3 1/2"
	101580	Diagonal Brace - 3rd Beam Front 12" x 4"
	101585	Diagonal Brace - 3rd Beam Front 14" x 4"
	101595	Diagonal Brace - 3rd Beam Front 16" x 4"
9	102610	Z Bracket 12" x 3 1/2"
	102615	Z Bracket 14" x 3 1/2"
	102620	Z Bracket 12" x 4"
	102625	Z Bracket 14" x 4"
	102630	Z Bracket 16" x 4"

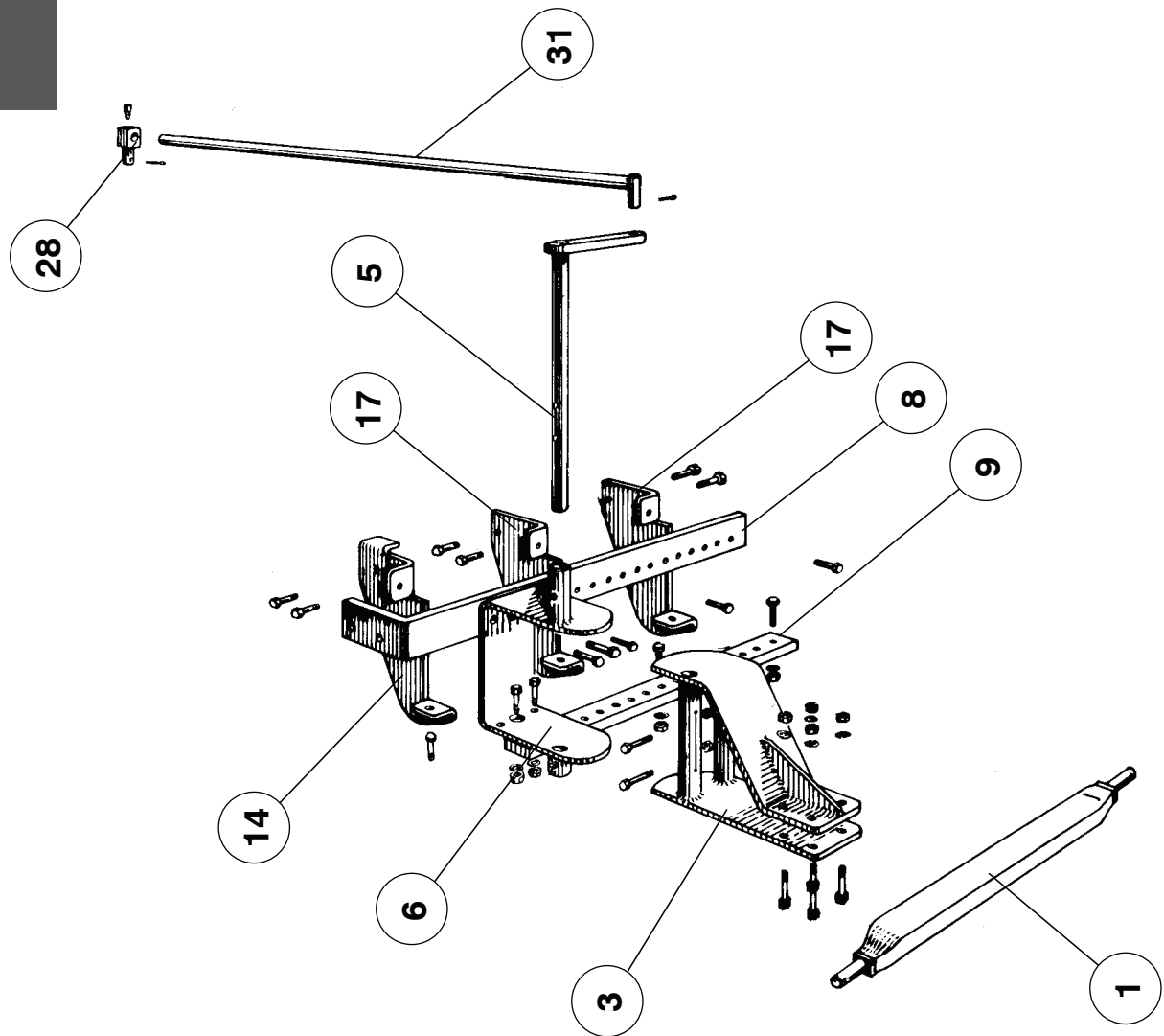
Semi-Mounted Plough Frames



Semi-Mounted Plough Frames

NO	PART NUMBER	DESCRIPTION
10		Plate Brace
		Plate Brace
		Plate Brace
11		Back Brace - Front
12		Back Brace - Rear
13	101275	Clamp Plate - Back Brace
15	103620	U Bolt
16	103640	Bracket - Coulter 3"
	103645	Bracket - Coulter 3 1/2"
	103650	Bracket - Coulter 4"

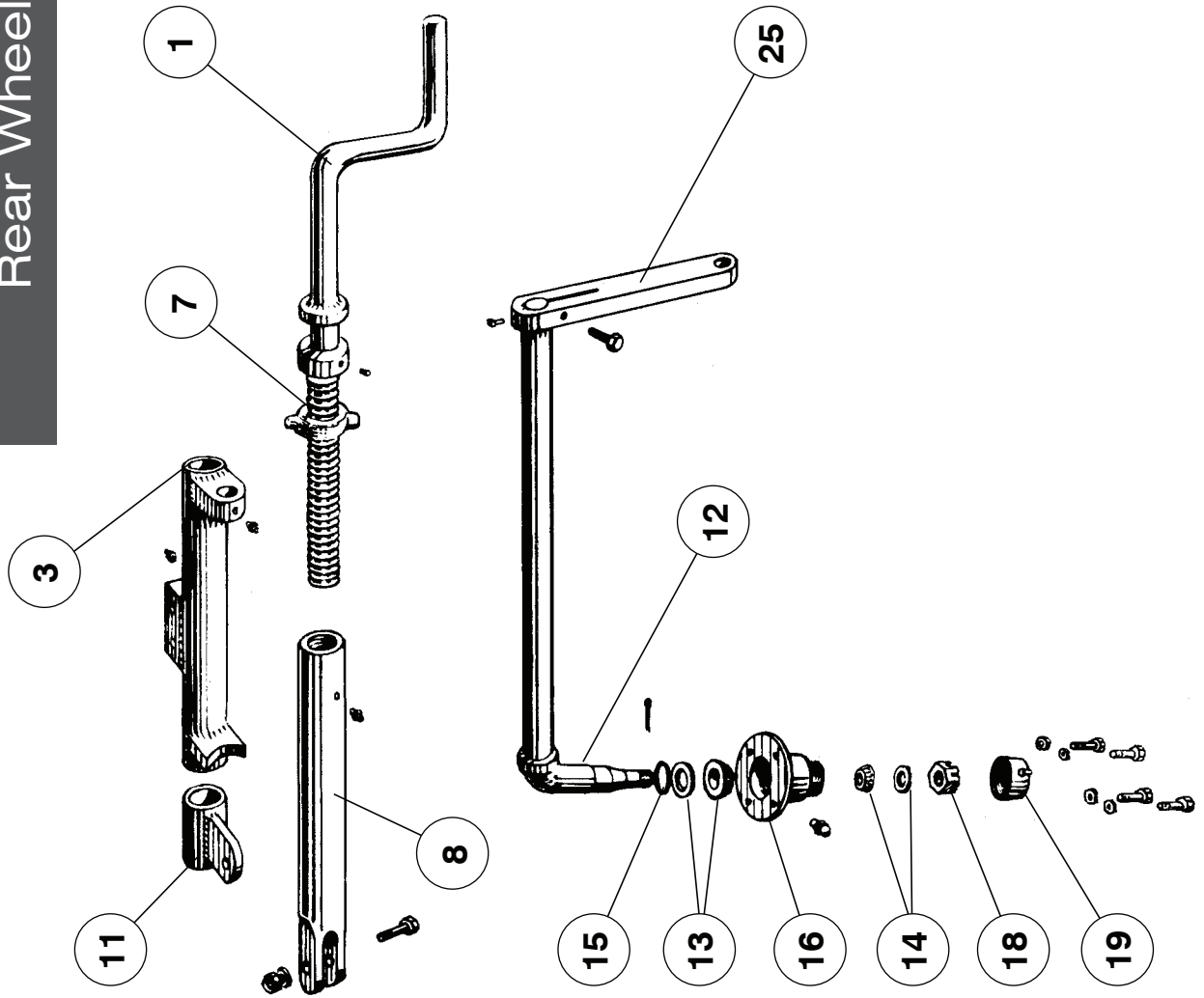
Semi-Mounted Front End Assembly



Semi-Mounted Front End Assembly

NO	PART NUMBER	DESCRIPTION
1	103470	Draught Bar - Category 2 - 3"
	103475	Draught Bar - Category 2 - 4"
	103480	Draught Bar - Category 3 - 4"
3	106005	Yoke - Standard
	106003	Yoke - Heavy Duty
5	106200	Arm and Spindle Steerage - Standard
	106205	Arm and Spindle Steerage - Heavy Duty
6	105805	U Bracket - Standard
	105820	U Bracket - Heavy Duty
8	105129	Front Bracket 3 - 4F 14"
	105149	Front Bracket 3 - 4F 16"
	105165	Front Bracket 5 - 6F 14"
	105180	Front Bracket 5 - 6F 16"
	105200	Front Bracket 7F Std
9	104871	Bridle
14	103585	Hanger Plate - Right
17	103580	Hanger Plate - Left
28	106610s	Block Steerage
	106620	Block Steerage 3" S/pin
31		Pipe Steerage - 1" Steam Pipe
		Pipe Steerage - 1 ¼" Steam Pipe

Semi-Mounted Bracing Plough Rear Wheel Assembly



Semi-Mounted Bracing Plough Rear Wheel Assembly

NO	PART NUMBER	DESCRIPTION
1	107300	Screw - 1 1/8"
3	107306	Column - Rear Wheel
7	103190	Lock Nut
8	103170	Nut - Adjusting
11	107450	Lift Collar
	107455	Lift Collar 1 3/4
12	107601	Axle 30 CWT
	107621	Axle 40 CWT
13	104407	Bearing Inner - Cup and Cone
14	104408	Bearing Outer - Cup and Cone
15	104414	Bearing Seal - Heavy Duty Only
16	107950	Hub - Wheel 30CWT
	107960	Hub - Wheel 40CWT
18	104411	Castle Nut - 3/4" UNF
	104413	Castle Nut - 1" UNF
19	108005	Hub Cap - 30CWT (58 I.D.)
	108011	Hub Cap - 40CWT (68 I.D.)
25	106605	Steerage Arm - Rear
	107951	NZ 100 Hub/Stub Assembly
	107952	NZ 200 Hub/Stub Assembly
	107963	5 Stud 50 Sq Hub & Stub
	107964	6 Stud 60 Sq Hub & Stub
	108006	50 Sq Axle Hub Cap
	108007	60 Sq Axle Hub Cap