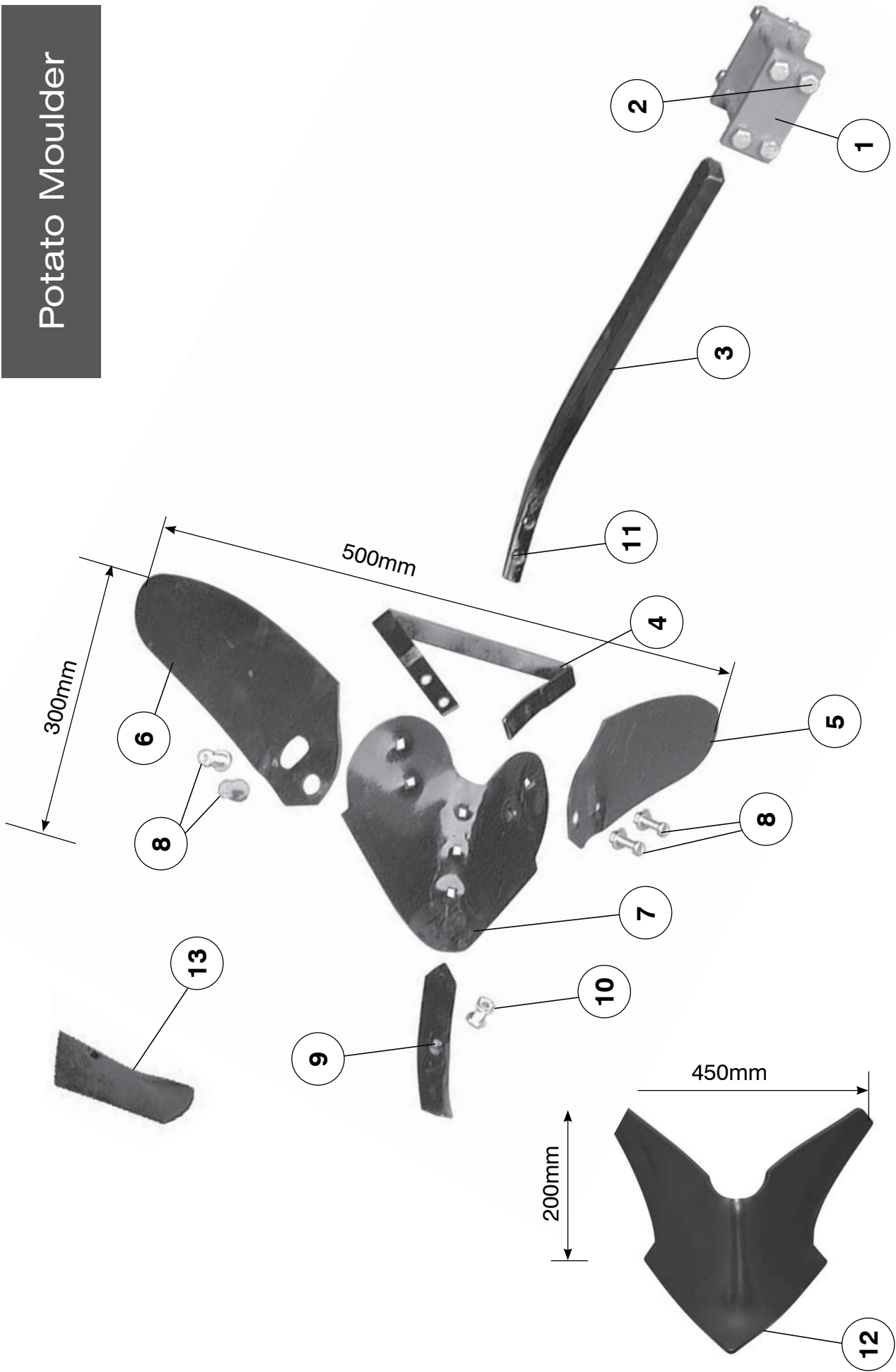


Potato Moulder



TOOL BAR & SOIL AERATION

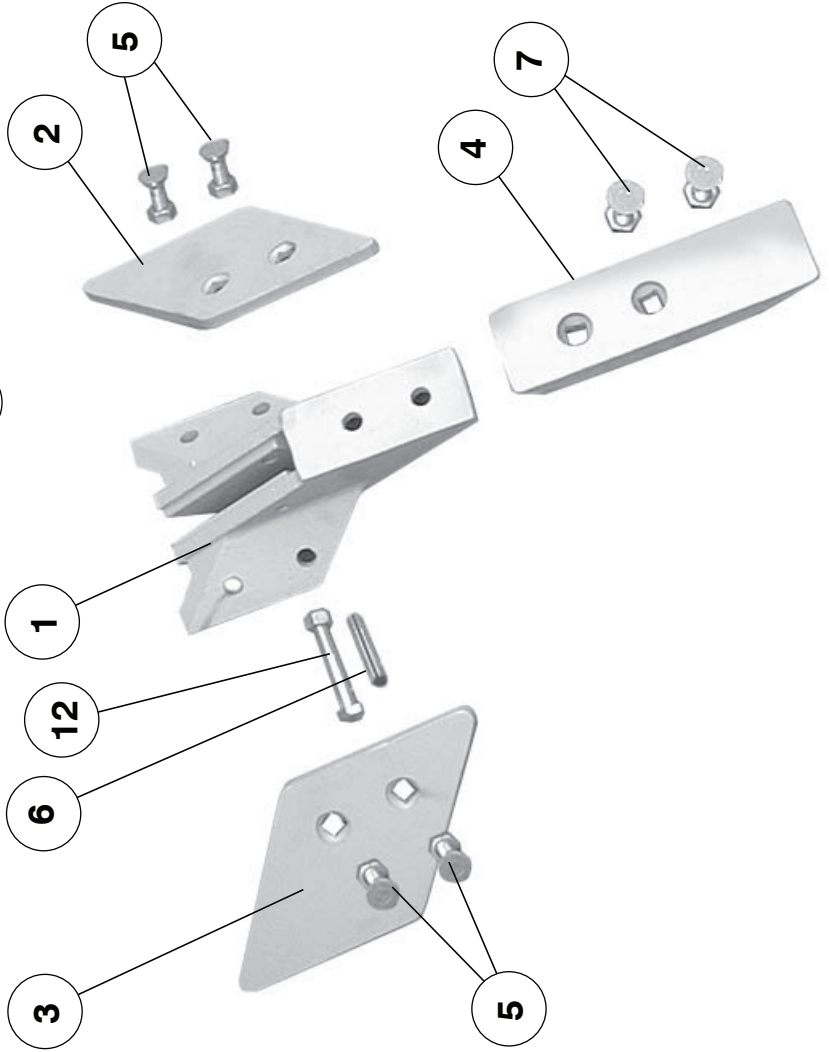
Potato Moulder

NO	PART NUMBER	DESCRIPTION
1	210310	Clamp Plate (Suits 50 x 50 RHS)
2	7282	Bolts M16 x 160
3	200980	Rigid Tine 50mm
	200982	Rigid Tine 70mm
4	200604	Support Bracket
5	200602	Left Wing
6	200603	Right Wing
7	200601	Moulder Body
8	7006	Wing Bolts & Washers (CSK) 7/16" x 1 1/2"
9	204080	Reversible Point
10	7007	Point Bolt (CSK) 7/16" x 1 3/4"
	200600	Moulder Complete No 4, 5, 6, 7, & 8
11	7009	Stalk to Moulder Bolt 7/16" x 2"
12	202600	Mackay Moulder
13	202951	M/F Ducks Bill Point

Panerazor



11



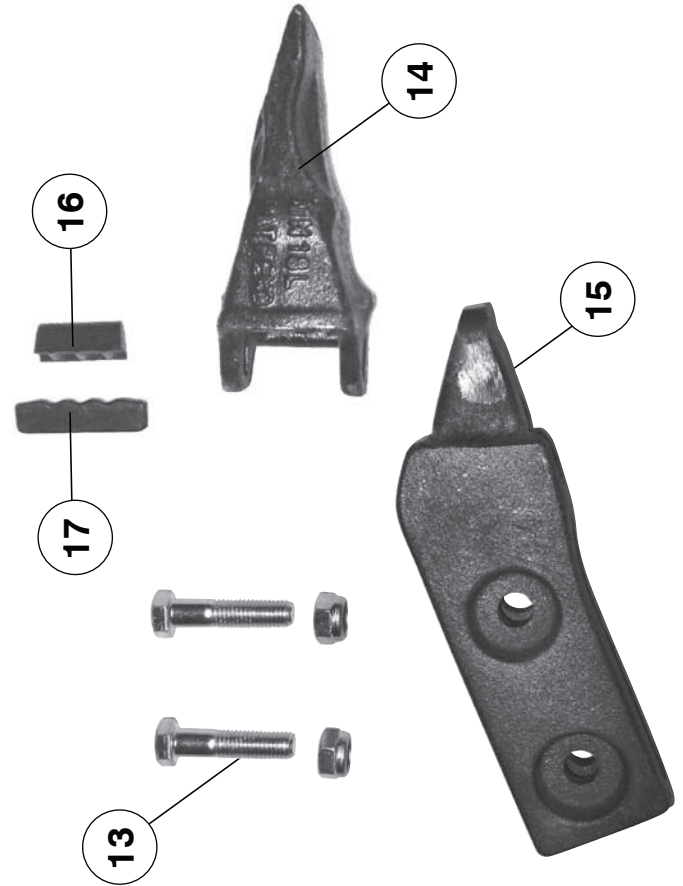
Sub-Soiler



10

9

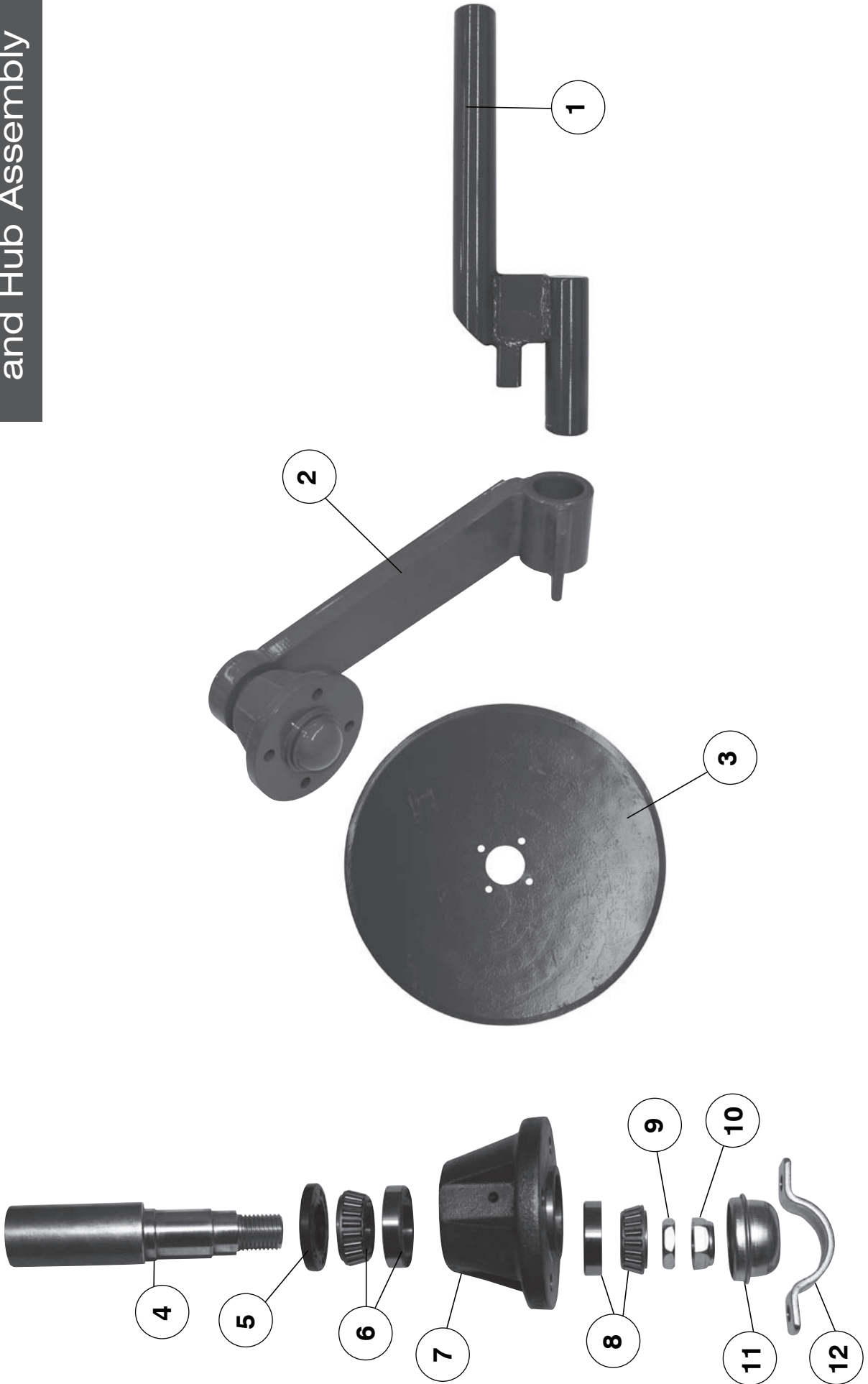
6



Soil Aeration Toes and Blades

NO	PART NUMBER	DESCRIPTION
1	440113	Saddle
2	440111	Left Wing 2", 4"
3	440112	Right Wing 2", 4"
4	440110	Front Point
5	7006	Bolts (CSK) 1 ½" x 7/16"
6	7555	M10 x 50 Roll Pin
7	7007	Bolts (CSK) 1 ¾" x 7/16"
8	440129	Panerazor Winged Foot Complete
9	440102	Rata Subsoiler Replaceable Toe
	440103	Rata Subsoiler Replaceable Toe 150mm Wide
	440104	NiHard Wear Strip 230mm Long
10	440114	Rata Subsoiler Leg C/W Toe
	440106	SubSoiler Weld-on Foot
11	440115	Panerazor Leg
12	7087	Bolt M12 x 70
13	7085	Bolt M12 x 50
14	440122	Panerazor Pasture Point
15	440125	Panerazor Pasture Foot
16	440127	Point Lock
17	440128	Point Pin
	440124	Panerazor Pasture Point C/W Hard Facing
18	440121	Panerazor Pasture Foot Complete
	7040	Panerazor Shear Bolt 9/16" x 3"
	7082	Subsoiler Shear Bolt M12 x 50

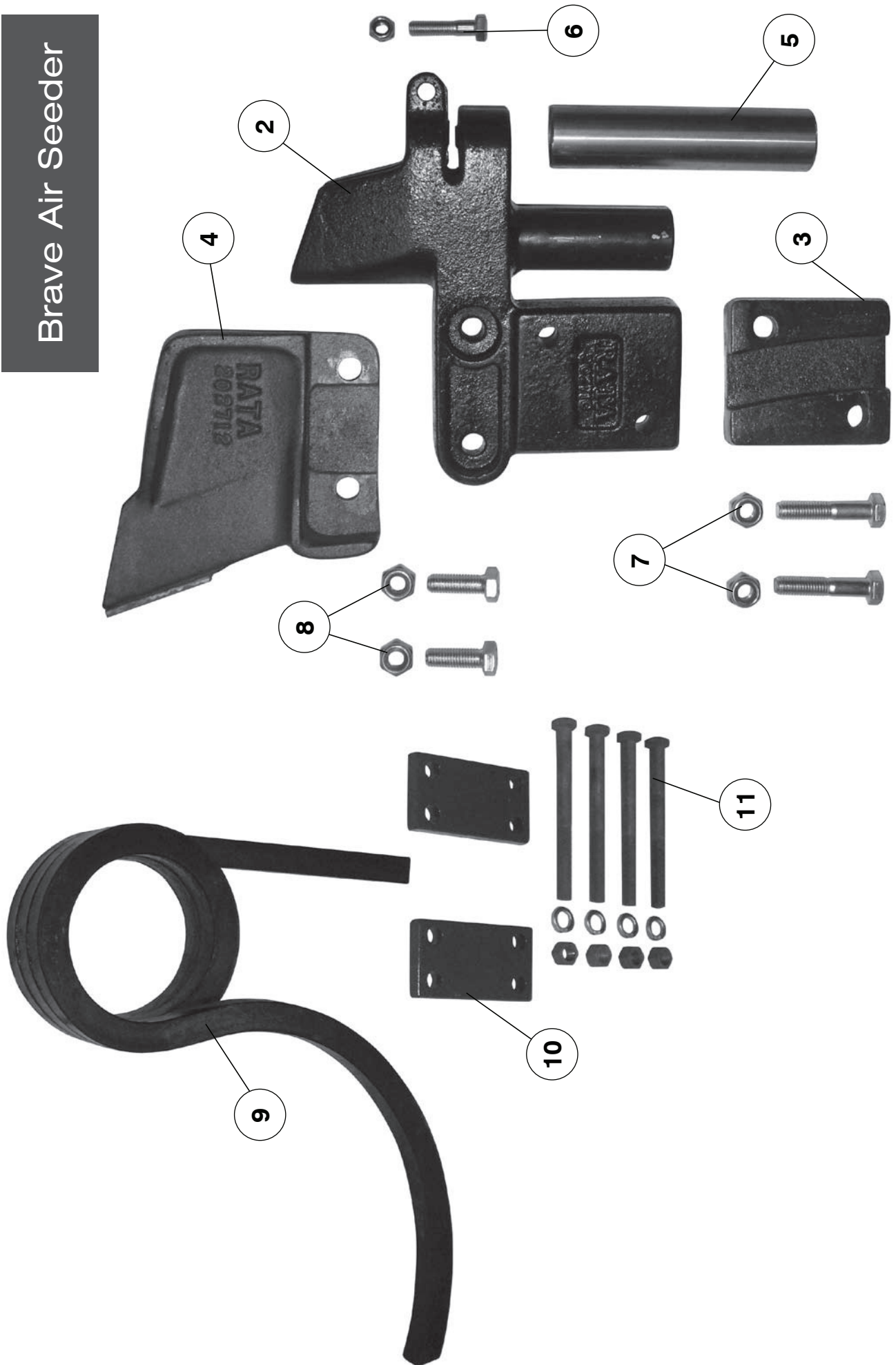
Panerazor Coultter and Hub Assembly



Panerazor Coulter and Hub Assembly

NO	PART NUMBER	DESCRIPTION
1	103301	Panerazor Coulter Stalk
2	410705	Panerazor Single Arm Coulter C/W Hub
3	104280	18" Plain Coulter
	104315	20" Plain Coulter
4	400755	Coulter Axle Taper Bearing - Weld In
5	104414	Plastic Seal
6	104407	Taper Bearing (Inner)
7	400735	Taper Bearing Coulter (Hub)
8	104408	Taper Bearing (Outer)
9	7554	M20 Half Nut
10	7553	M20 Half Nyloc Nut
11	104410	Hub Cap
12	104412	Hub Cap Retainer

Brave Air Seeder



Boot Holder Body & Clamp Set

NO	PART NUMBER	DESCRIPTION
1	202710/11	Boot Holder Body & Clamp Set
2	202710	Main Boot Holder
3	202711	Boot Holder Clamp
4	202712	Air Seeder Point
5	202720	Stainless Fert Pipe
6	4268	Bolt M8 x 35
7	4373	Bolt M10 x 50
8	4361	Bolt M10 x 30
9	202705	LH Air Seeder Tine
	202706	RH Air Seeder Tine
10	210311	Clamp Plate (Suits 100 x 100 RHS)
11	7125	Bolt M16 x 180 Galve