



WILLETT DISCS  
PARTS CATALOGUE  
1ST AUGUST 2013

*"Experience giving us the leading edge"*



# WILLETT DISCS PARTS CATALOGUE

## 1ST AUGUST 2013

### INVESTING IN WILLETT

Researching and developing discs for the past 80 years, we can assure you we understand the needs of New Zealand farmers.

### OTHER NOTES

- In stock parts ordered before 3:00pm will be dispatched the same day.
- All prices exclude GST.

### CONTENTS

#### Series 2 Tandem Discs

T32-24 .....	2-5
T32-26 .....	2-5
T36-24 .....	2-5
T36-26 .....	

#### Series 1 Tandem Discs

T32-20 .....	6-7
T32-22 .....	8-11
T36-22 .....	8-11

#### Offset Discs

OS 32-22 .....	12-13
OS 32-24 .....	12-15
OS 32-26 .....	12-15

*Willett reserves the right to change the characteristics, equipment and prices of the range presented, without prior notice.*

*No part of this document may be reproduced.*

## SERIES 2 TANDEM DISCS

NO	PART NUMBER	DESCRIPTION	PRICE
1	310211L 310211R	U BEARING HANGER L/H U BEARING HANGER R/H	
2	310028 310022A	AXLE NUT 1 ½" AXLE PACKING WASHER 1 ½"	
3	310026	AXLE WASHER 1 ½"	
4	310015-40 310015-45	SPACER CONCAVE 79079 SPACER CONCAVE 79079	
5	310014-40 310014-47	SPACER CONVEX 79062 SPACER CONVEX 79062	
6	310008A 310007	SPACER 9" MACHINED SPACER 8" MACHINED	
7	310198	DRAWBAR PIN ARATOR	
8	310156	ARATOR DRAWBAR	
9	310170	TOP LINK DRAWBAR PIN	
10	310124A	TOWING EYE BOLT ON	
11	310164	WILLET BEARING CIRCLIP	
12	310240	WILLET PLASTIC SPACER	
13	310141	WILLET BEARING U SEAL	
14	310143	WILLET BEARING PLAIN END	
15	310142	WILLET BEARING O RING	
16	310174	WILLET NILOS RING	
17	310163	WILLET BEARING 32015	
18	310115	WILLET INNER SLEEVE ¾	
19	310144	WILLET BEARING THREADED END	
20	310114	WILLET BEARING HOUSING	

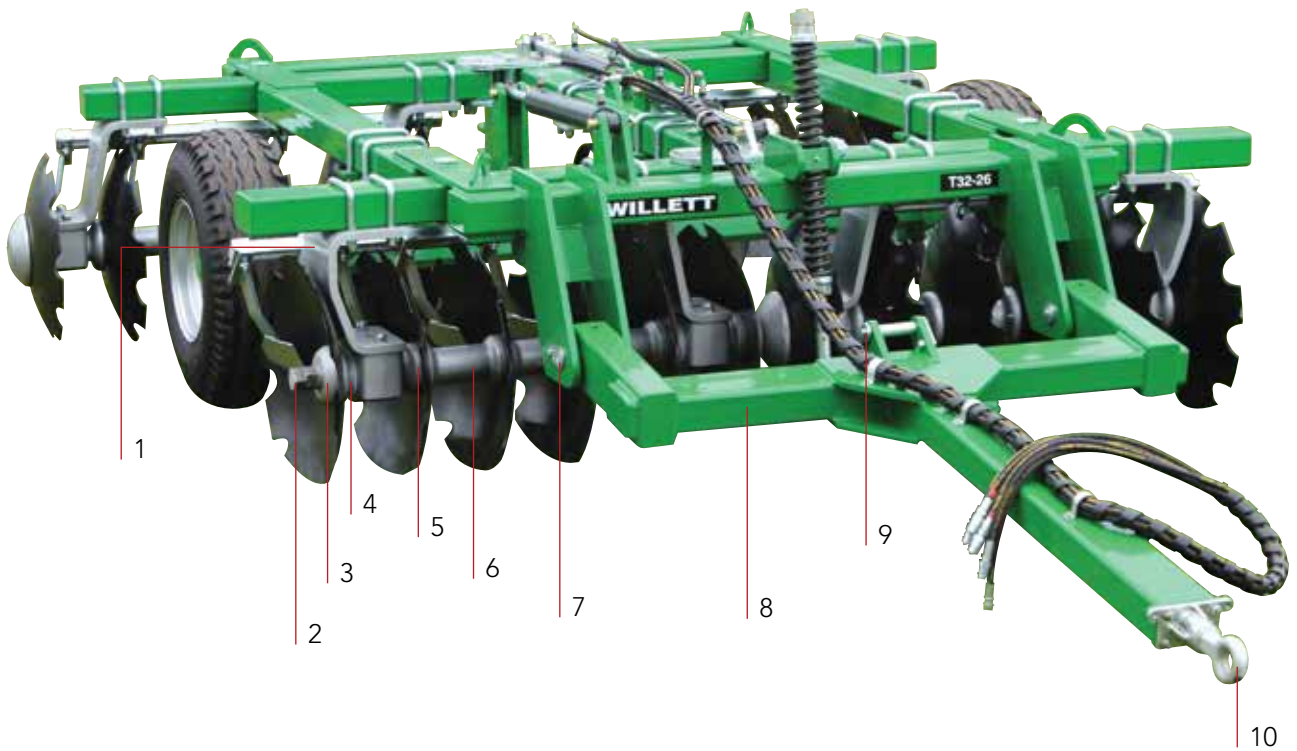
# SERIES 2 TANDEM DISCS

T32-24

T32-26

T36-24

T36-26



## SERIES 2 TANDEM DISCS

NO	PART NUMBER	DESCRIPTION	PRICE
1	310048	11.5/75 WHEEL & TYRE 11.5/75	
2	310046	HUB & STUB	
3	310025	BUFFER WASHER 1 ½" ARATOR	
4	310113L 310113R	Z BEARING BRACKET Z BEARING BRACKET	
5	310030	U BOLT 6X4	
6	310132	DISC SCRAPER BAR T32	
7	310209 L/O 310209 R/O	DISC SCRAPER L/H OUTER DISC SCRAPER R/H OUTER	
8	310199	GANG BLOCK PIN ARATOR	
9	310217	SCRAPER CLAMP	
10	310194	GANG TOP PIN ARATOR	
11	310160 310161	ARATOR SLIDE TOP ARATOR SLIDE BOTTOM	
12	201.025	TOP LINK CAT 2 88MM	
13	310125	SPRING A LINE 300MM	
14	310197	TOP LINK NUT	
15	310003-1345 310003-1355 310003-1360 310003-1370 310003-1580	AXLE 1 ½" X 1345MM AXLE 1 ½" X 1355MM AXLE 1 ½" X 1360MM AXLE 1 ½" X 1370MM AXLE 1 ½" X 1580MM	
16	303009 303011 303012 303013	SCALLOP 22" 6MMX559MM SCALLOP 24" 6MMX610MM SCALLOP 26" 6MMX660MM SCALLOPED 26" 8MMX660MM	
17	303008 303010	PLAIN 22" 6MMX559MM PLAIN 24" 6MMX610MM	
18	310146	TYNE HD "S"	
19	310145	SWEEP 6"	

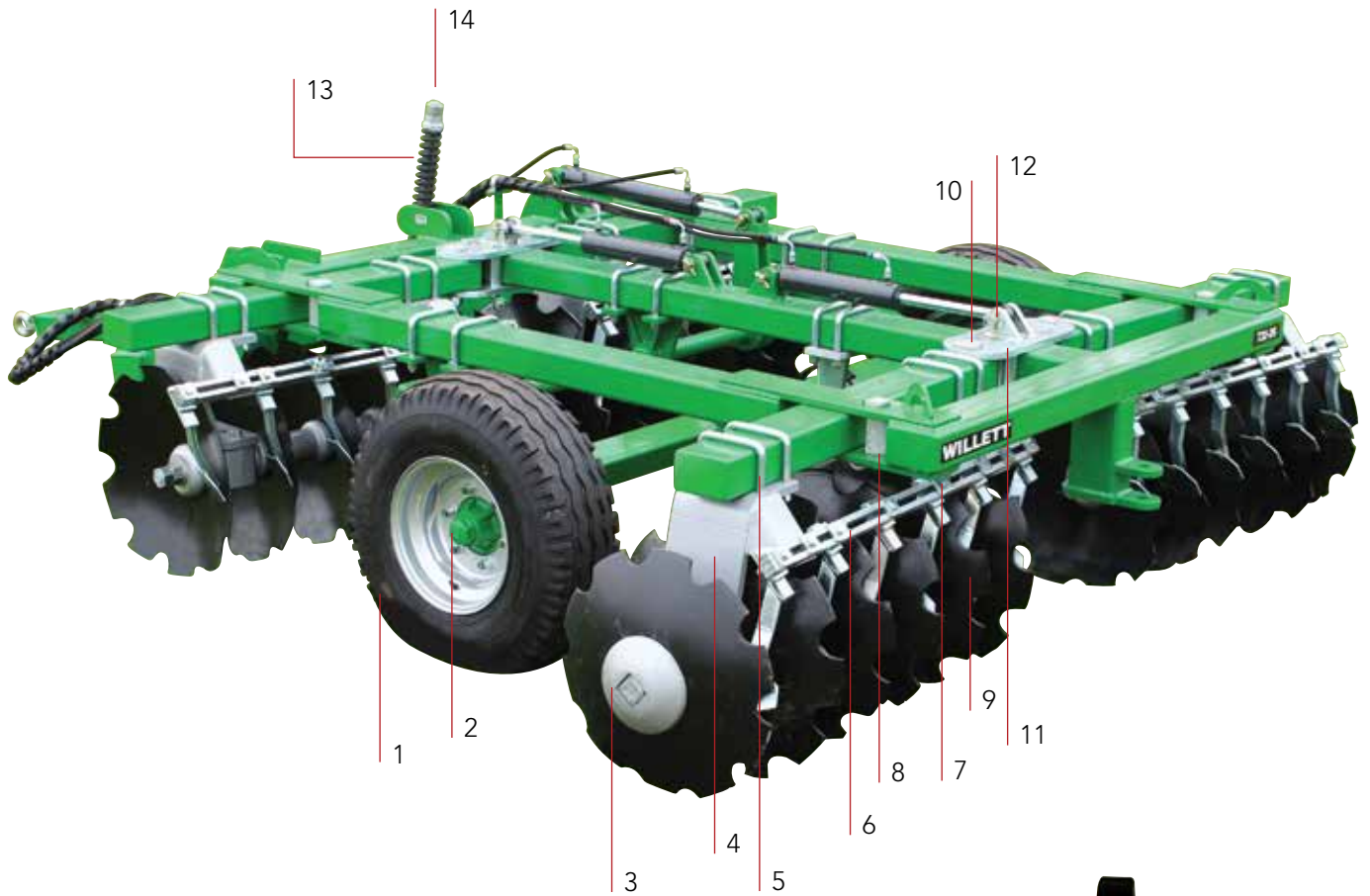
# SERIES 2 TANDEM DISCS

T32-24

T32-26

T36-24

T36-26



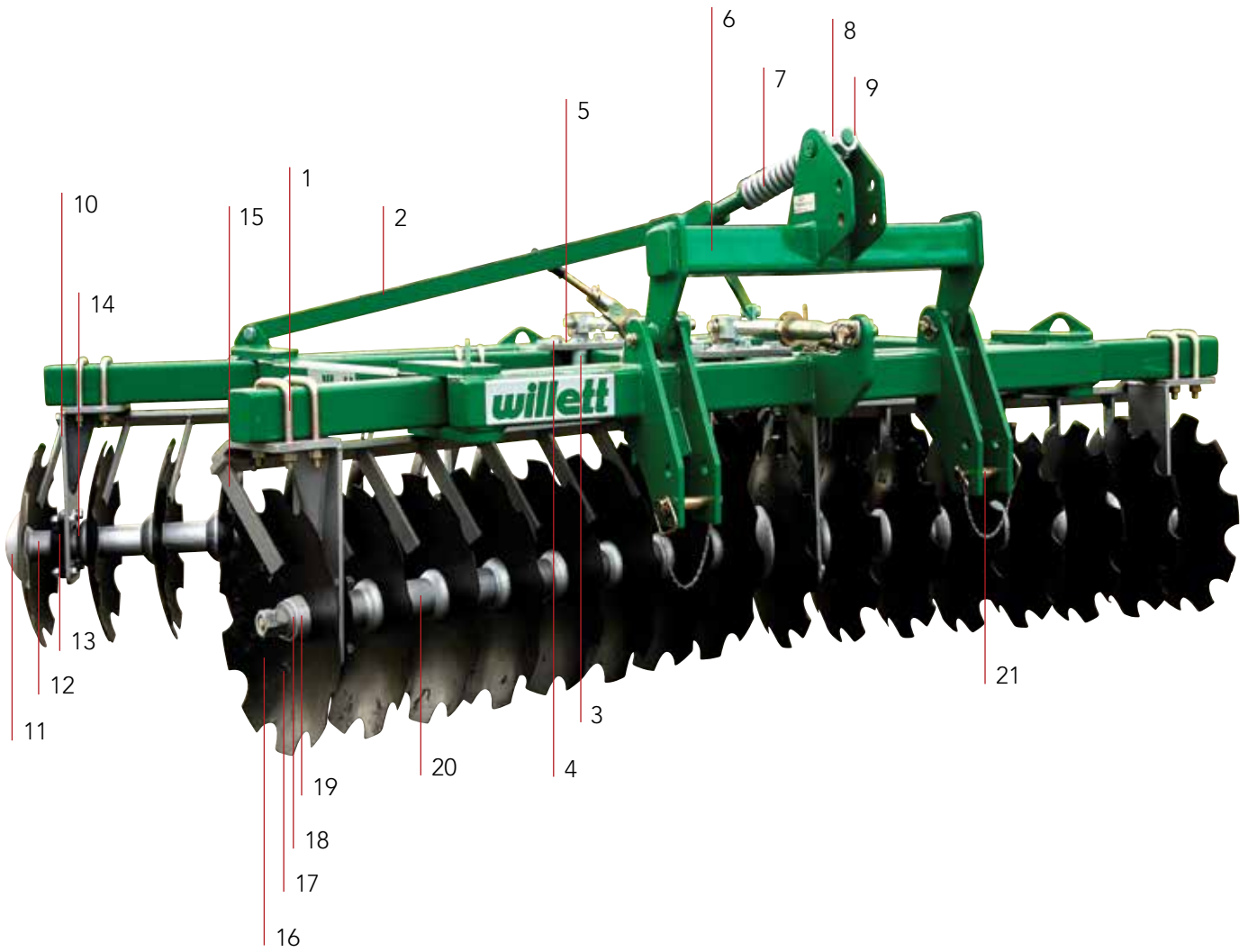
# SERIES 1 TANDEM DISCS

NO	PART NUMBER	DESCRIPTION	PRICE
1	310029	U BOLTS 4X4	
2	310201	Y BAR	
3	310196	ARATOR SLIDE BUSH	
4	310171	GANG TOP PIN A LINE HT	
5	310108 310109	SLIDE TOP PLAIN SLIDE BOTTOM PLAIN	
6	310205	HEADSTOCK HT	
7	310125	SPRING A LINE 300MM	
8	310200	KNUCKLE	
9	310197	TOP LINK NUT	
10	310112L 310112R	BEARING BRACKET COMPLETE L/H BEARING BRACKET COMPLETE R/H	
11	310023	BUFFER WASHER 1 ¼"	
12	310009	SPACER CONVEX 1 ¼"	
13	310016 310018 310020	BEARING HOUSING BEARING BEARING GUARD PLATE	
14	310010	SPACER CONCAVE 1 ¼"	
15	310032 8/7	SCRAPES 8 ASIDE 7"	
16	310001	AXLE 1 ¼" X 1385MM	
17	310027	AXLE NUTS 1 ¼"	
18	310044	AXLE WASHER 1 ¼"	
19	310021	AXLE END PACKING WASHER 1 ¼"	
20	310192	SPACER 7" MACHINED	
21	2848	DRAWBAR PIN	
22	303006	PLAIN 20" RB 4 X 508MM	
23	303007	SCALLOPED 20" 4 X 508MM	



# SERIES 1 TANDEM DISCS

## T32-20



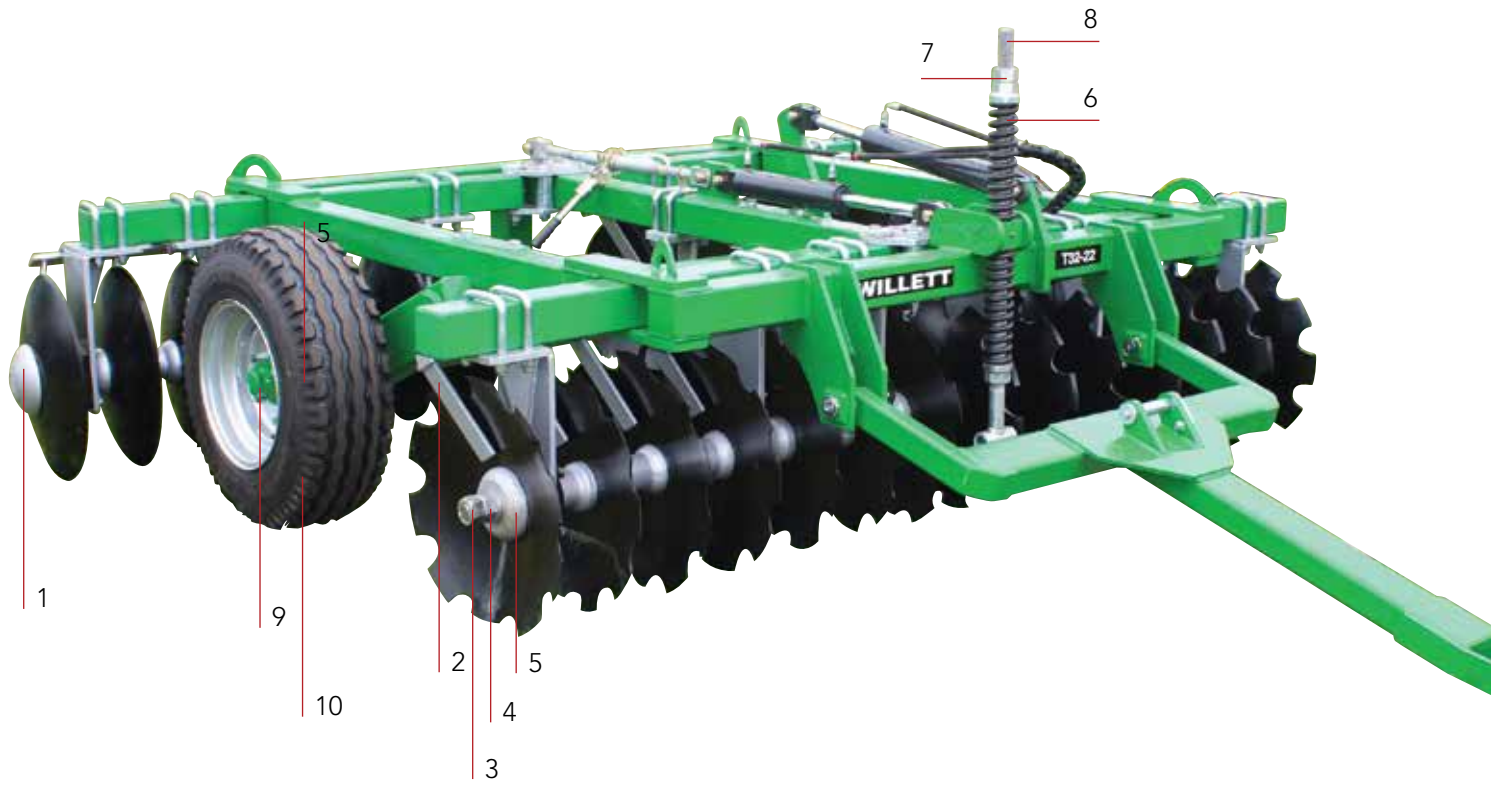
# SERIES 1 TANDEM DISCS

NO	PART NUMBER	DESCRIPTION	PRICE
1	310024	BUFFER WASHER 1 ½"	
2	310032 7/8 310032 8/8	SCRAPERS 7 ASIDE 8" SCRAPERS 8 ASIDE 8"	
3	310028	AXLE NUT 1 ½"	
4	310026	AXLE WASHER 1 ½"	
5	310022	AXLE PACKING WASHER 1 ½"	
6	310125a	SPRING A LINE 300MM	
7	310197	TOP LINK NUT	
8	310062	ARATOR TOP LINK SHAFT	
9	310046	HUB & STUB	
10	310048	WHEEL & TYRE 10.5/75	
11	310003 310005	AXLE 1 ½" X 1360MM AXLE 1 ½" X 1565MM	
12	303008	PLAIN 22" 6 X 559MM	
13	303009	SCALLOP 22" 6 X 559MM	

# SERIES 1 TANDEM DISCS

T32-22

T36-22



# SERIES 1 TANDEM DISCS

NO	PART NUMBER	DESCRIPTION	PRICE
1	310111R 310111L	BEARING BRACKET COMPLETE R/H BEARING BRACKET COMPLETE L/H	
2	310012	SPACER CONVEX 1 ½"	
3	310119	A LINE DRAWBAR	
4	310170	TOP LINK DRAWBAR PIN	
5	310007	SPACER 8" MACHINED	
6	310013	SPACER CONCAVE 1 ½"	
7	310029	U BOLT 4X4	
8	310016 310018	BEARING HOUSING BEARING	
9	310020	BEARING GUARD PLATE	
10	310072	TYNE HD "S"	
11	310075 310074	TYNE SWEEP "S" TYNE CLAMP 'S'	

# SERIES 1 TANDEM DISCS

T32-22

T36-22



# OFFSET DISCS

NO	PART NUMBER	DESCRIPTION	PRICE
1	320156	OFFSET DRAWBAR	
2	310198	DRAWBAR PIN	
3	310113L 310113R	Z BEARING BRACKET L/H Z BEARING BRACKET R/H	
4	310048	WHEEL & TYRE 11.5/75	
5	310046	HUB & STUB	
6	320166	OFFSET HOSE COVER PLATE	
7	310164	WILLET BEARING CIRCLIP	
8	310240	WILLET PLASTIC SPACER	
9	310141	WILLET BEARING U SEAL	
10	310143	WILLET BEARING PLAIN END	
11	310142	WILLET BEARING O RING	
12	310174	WILLET NILOS RING	
13	310163	WILLET BEARING	
14	310115a	WILLET INNER SLEEVE ¾ 9"	
15	310144	WILLET BEARING THREADED END	
16	310114a 310165	WILLET BEARING HOUSING WILLET BEARING HOUSING COMPLETE	

# OFFSET DISCS

OS32-23

OS32-24

OS32-26



# OFFSET DISCS

NO	PART NUMBER	DESCRIPTION	PRICE
1	310025	BUFFER WASHER 1 ½"	
2	310211L 310211R	U BEARING HANGER L/H U BEARING HANGER R/H	
3	310026	AXLE WASHER 1 ½"	
4	310022	AXLE PACKING WASHER 1 ½"	
5	310015-45	SPACER CONCAVE 79079	
6	310014-47	SPACER CONVEX 79062	
7	310133	DISC SCRAPER BAR T36	
8	310209L	DISC SCRAPER L/H	
9	310209R	DISC SCRAPER R/H	
10	320127	OFFSET LIFT RAM	
11	320167	OFFSET WASHER 72X38X16MM	
12	320128	OFFSET HYDRAULIC RAM SET	
13	705.016	REAR SHAFT WASHER	
14	320159	OFFSET GANG ROLLER	
15	310030	U BOLT 6X4	
16	310005-1575	AXLE 1 ½" X 1575	
17	303011 320126	SCALLOP 24" X 6 X 610MM OFFSET SPRING REPLACEMENT RAM	

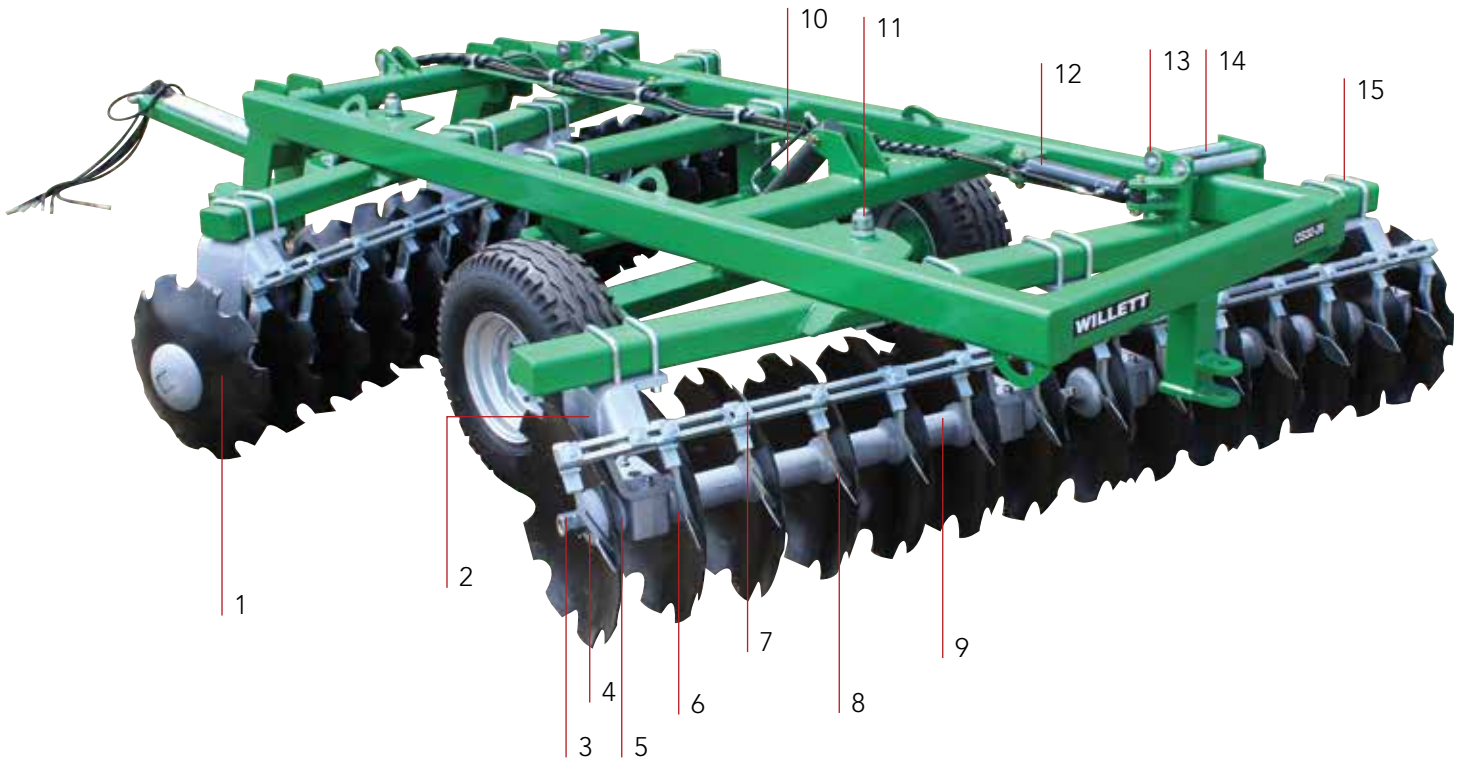


# OFFSET DISCS

OS32-22

OS32-24

OS32-26







***willett***

*"Experience giving us the leading edge"*

Contact us for further information 0800 802 478  
sales@rataindustries.co.nz www.paddon.co.nz