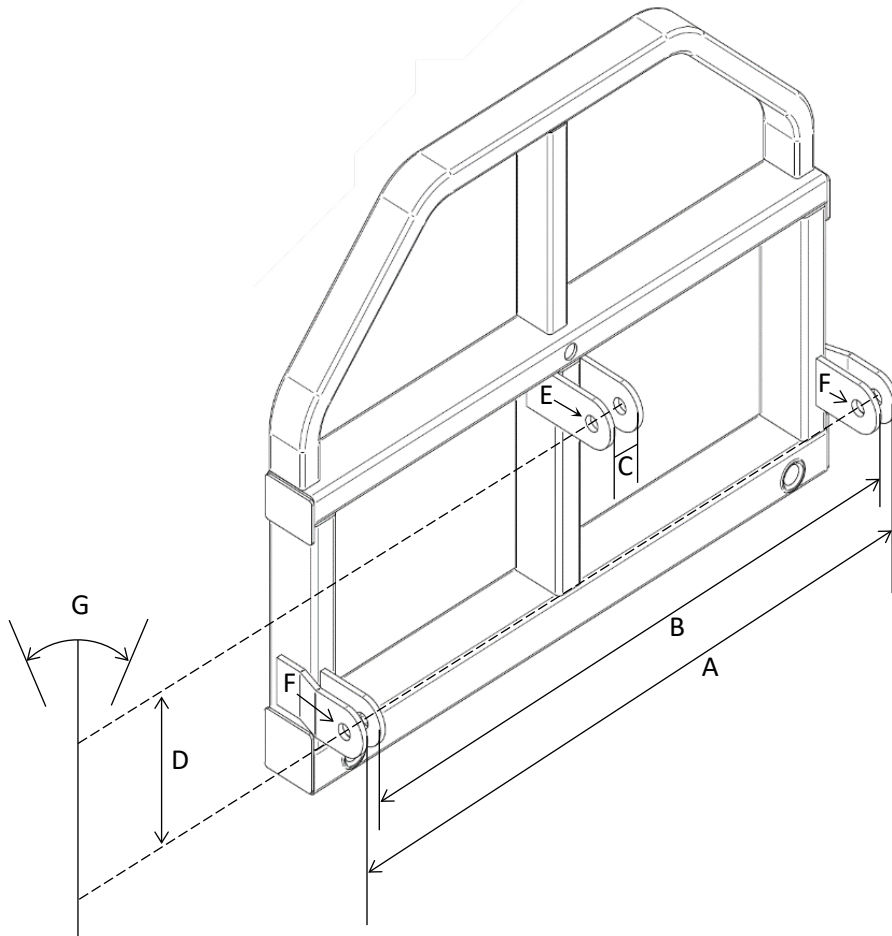




Loader Brand: _____

Loader Model: _____

Loader Bracket Dimension Sheet (Single Crowd)



Name: _____

Email: _____

Phone: _____

Address: _____

Measurements		
A	Width between Inside of Outer Plates	
B	Width Between Outside of Inner Plates	
C	Gap Between Crowd Plates	
D	Distance Between Crowd and Arm Pin Centres	
E	Crowd Pin Size	
F	Arms Pin Size	
G	Distance Crowd is Offset From Arms When Level	
Other Information		
	Crowd Ram Above Arms	
	Crowd Ram Below Arms	

0800 802 478

sales@rataequipment.com

www.rataequipment.com



Loader Brand: _____

Loader Model: _____

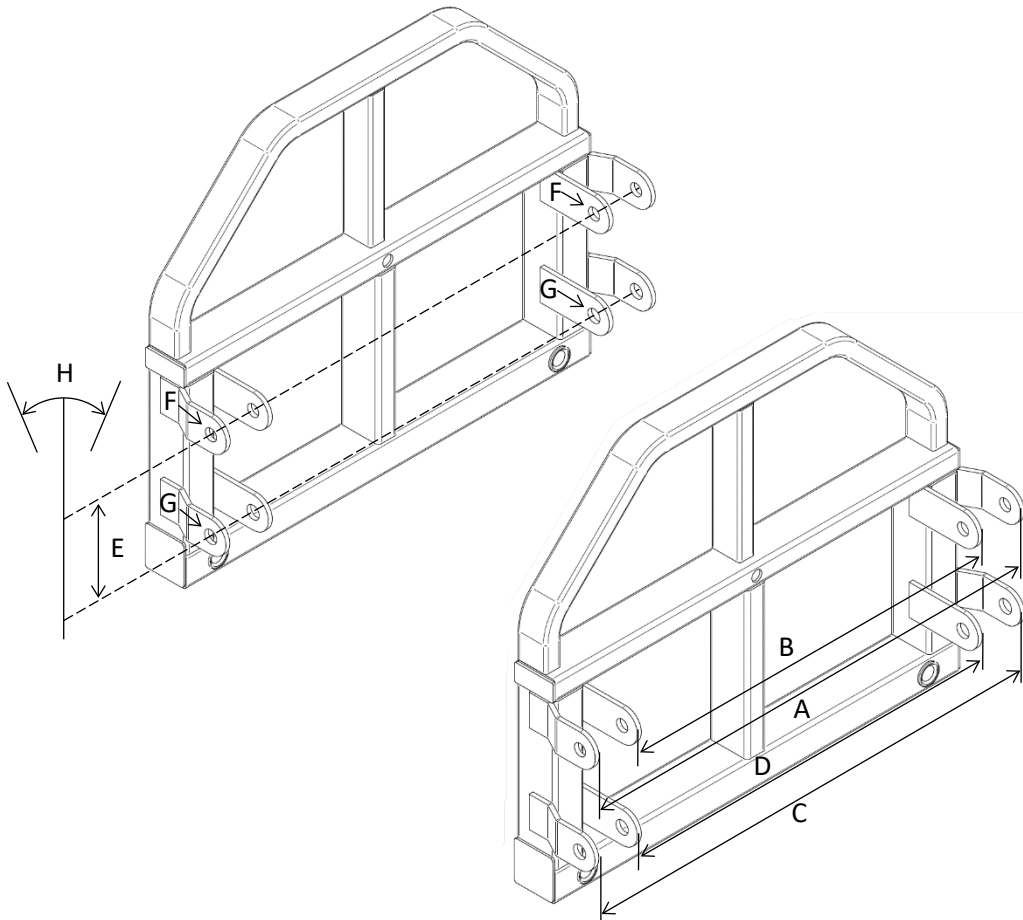
Loader Bracket Dimension Sheet (Twin Crowd)

Name: _____

Email: _____

Phone: _____

Address: _____



Measurements		
A	Width between Inside of Outer Plates (Crowd)	
B	Width Between Outside of Inner Plates (Crowd)	
C	Width between Inside of Outer Plates (Arms)	
D	Width Between Outside of Inner Plates (Arms)	
E	Distance Between Crowd and Arm Pin Centres	
F	Crowd Pin Size	
G	Arms Pin Size	
H	Distance Crowd is Offset From Arms When Level	
Other Information		
	Crowd Above Arms	
	Crowd Below Arms	

0800 802 478

sales@rataequipment.com

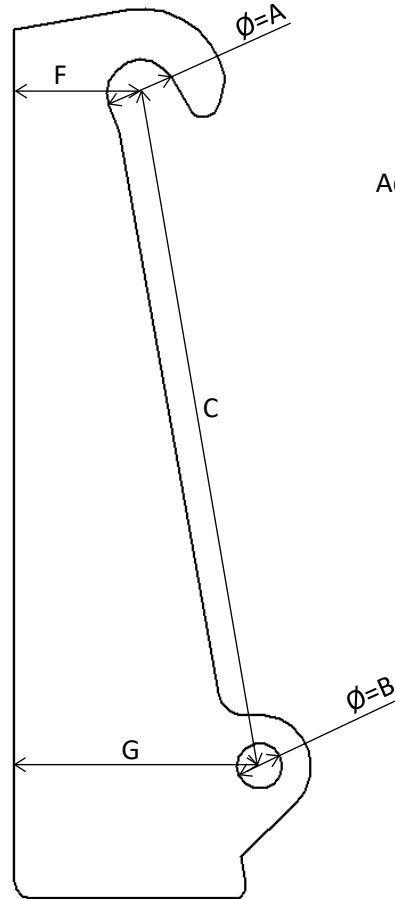
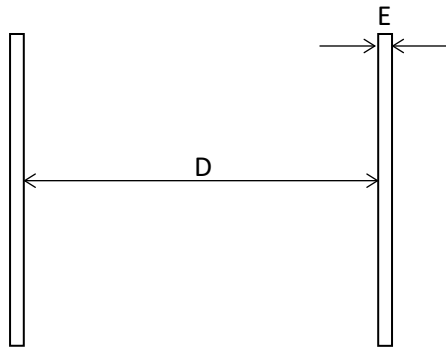
www.rataequipment.com



Loader Brand: _____

Loader Model: _____

Loader Bracket Dimension Sheet (Profile Hitches)



Name: _____

Email: _____

Phone: _____

Address: _____

Measurements		
A	Diameter of hook hole	
B	Diameter of pin hole	
C	Distance between hook hole and pin hole centres	
D	Width between plates (inside to inside)	
E	Plate profile thickness	
F	Distance from attachment back plate to hook hole centre	
G	Distance from attachment back plate to pin hole centre	
Other Information		

0800 802 478

sales@rataequipment.com

www.rataequipment.com



Excavator Brand: _____

Excavator Model: _____

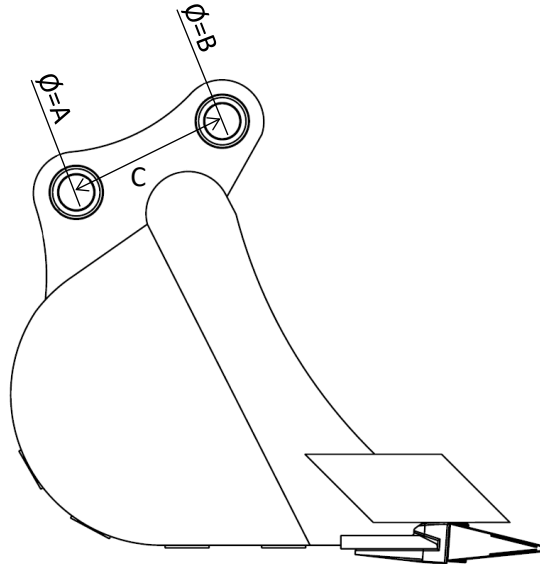
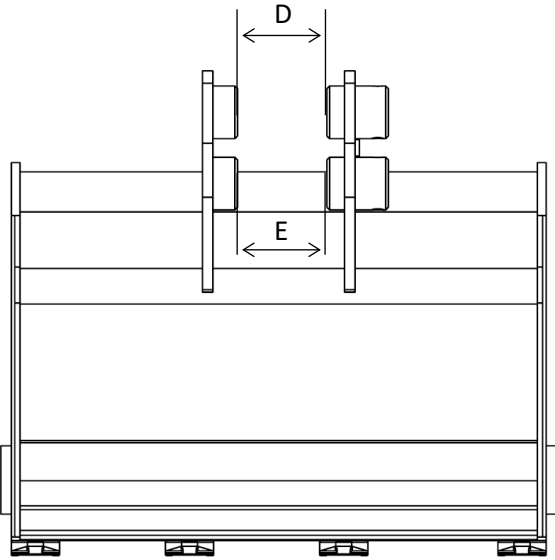
Loader Bracket Dimension Sheet (Excavator Hitches)

Name: _____

Email: _____

Phone: _____

Address: _____



Measurements		
A	Diameter of pin	
B	Diameter of pin	
C	Distance between pin centres	
D	Width between plates/bushes (inside to inside)	
E	Width between plates/bushes (inside to inside)	
	Digger Weight	
Other Information		

0800 802 478

sales@rataequipment.com

www.rataequipment.com