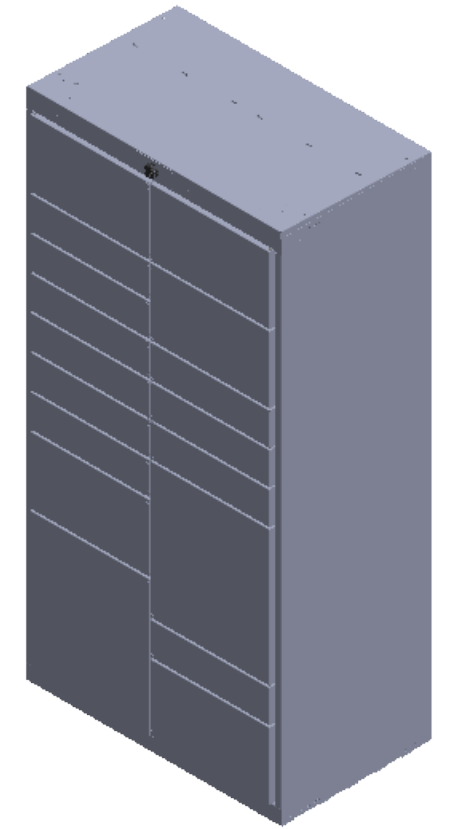
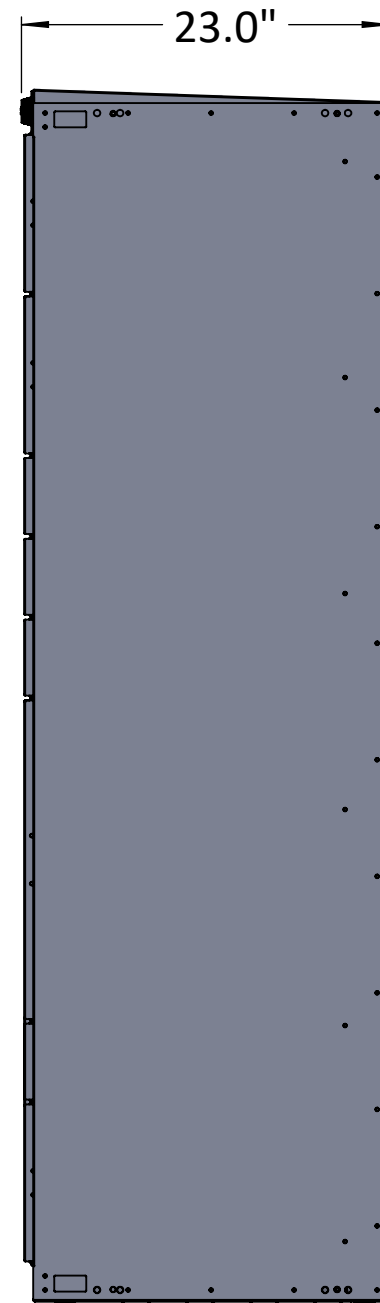
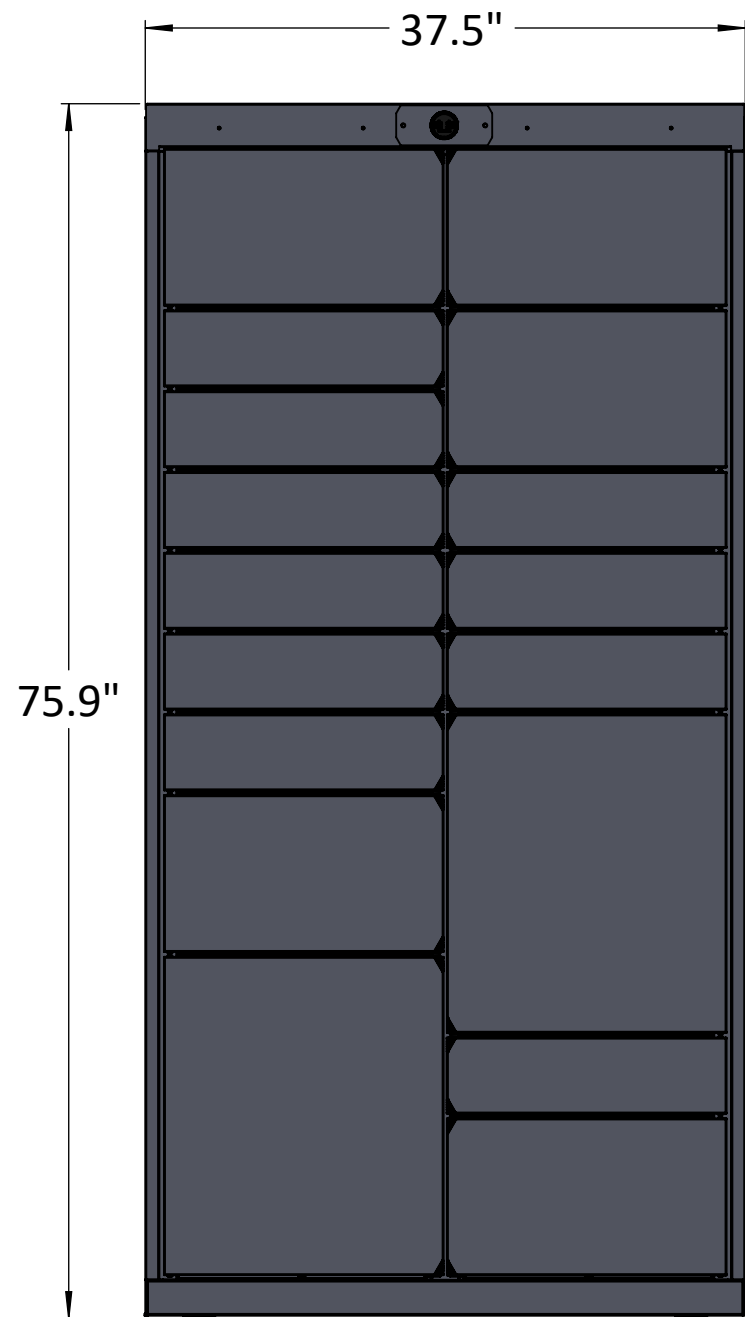
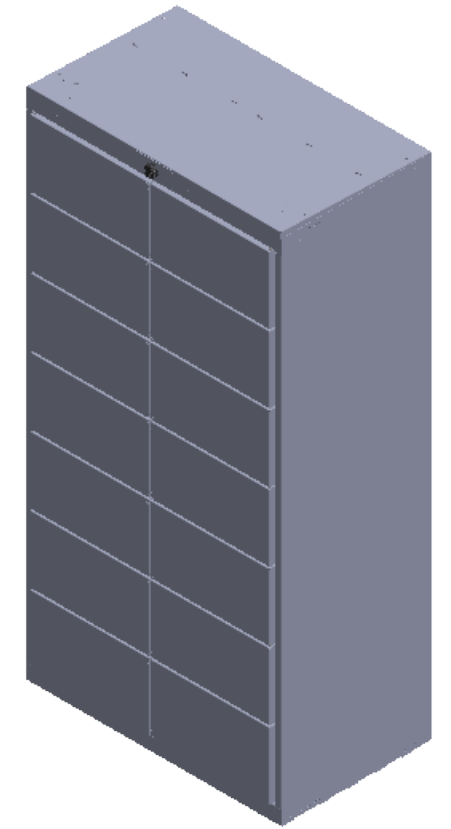
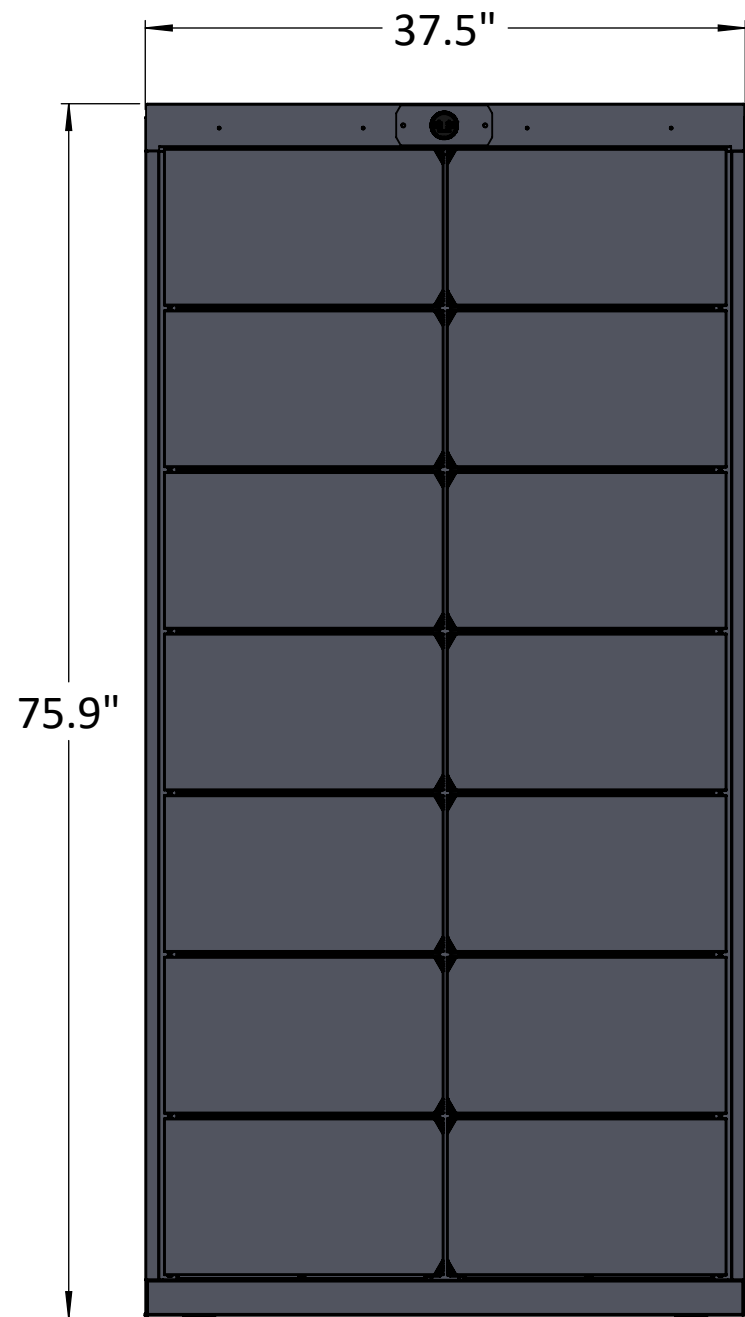


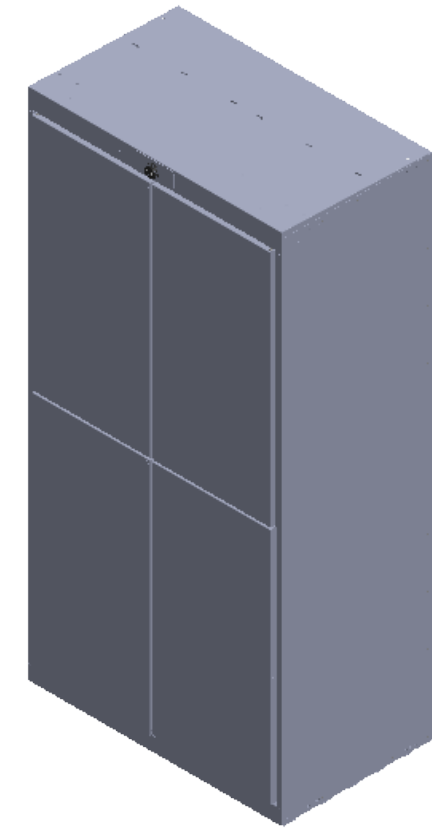
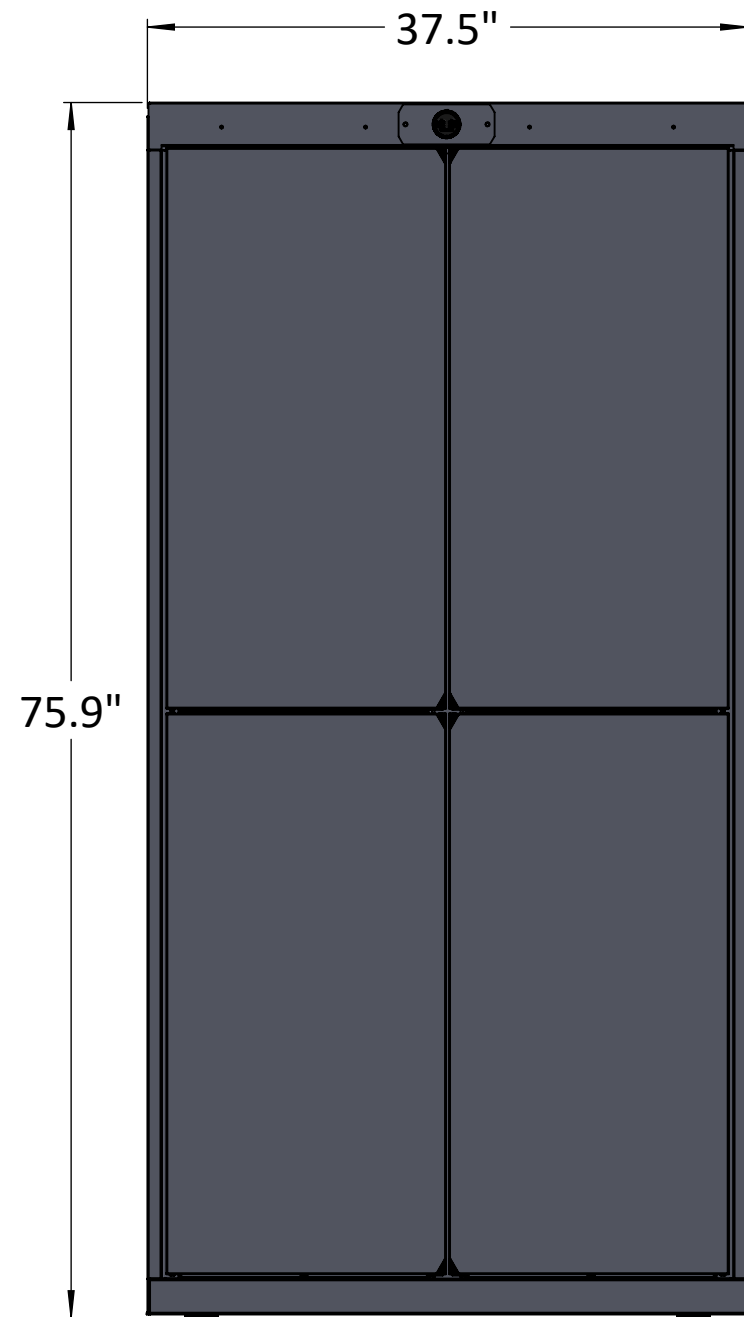
REMOVE ALL SHARP EDGES DIMENSIONS ARE IN INCHES AND APPLY AFTER FINISH TOLERANCE UNLESS OTHERWISE NOTED: X.XX= ±.030 X.XXX= ±.015 X.XXXX= ±.005 HOLES= ±.005 ANGLES= ±1/2 DEG	DR	DATE	LUXER[®] ONE 5665 Power Inn Rd. Suite 140 Sacramento, CA 95826 877.589.3738			
	EMD					
	CK	DATE	TITLE MAIN UNIT			
	-	-				
MATERIAL	ENG	DATE	SCALE	SIZE	PART #	REV
NA	MFG	DATE	DO NOT SCALE	B		A
FINISH	QA	DATE	DO NOT SCALE		SHT 1 OF 1	
NA						



REMOVE ALL SHARP EDGES DIMENSIONS ARE IN INCHES AND APPLY AFTER FINISH TOLERANCE UNLESS OTHERWISE NOTED: X.XX= ±.030 X.XXX= ±.015 X.XXXX= ±.005 HOLES= ±.005 ANGLES= ±1/2 DEG		DR	DATE	LUXER [®] 5665 Power Inn Rd. Suite 140 Sacramento, CA 95826 877.589.3738 ONE			
		EMD					
		CK	DATE				
		ENG	DATE	TITLE			
MATERIAL		MFG	DATE	SCALE	SIZE	PART #	REV
FINISH		QA	DATE	DO NOT SCALE		SHT 1 OF 1	A



REMOVE ALL SHARP EDGES DIMENSIONS ARE IN INCHES AND APPLY AFTER FINISH TOLERANCE UNLESS OTHERWISE NOTED: X.XX= ±.030 X.XXX= ±.015 X.XXXX= ±.005 HOLES= ±.005 ANGLES= ±1/2 DEG		DR	DATE	LUXER[®] ONE 5665 Power Inn Rd. Suite 140 Sacramento, CA 95826 877.589.3738			
		EMD					
		CK	DATE				
		ENG	DATE	TITLE			
MATERIAL		MFG	DATE	SCALE	SIZE	PART #	REV
FINISH		QA	DATE	DO NOT SCALE		SHT 1 OF 1	A
NA				B			
NA				ALL-MEDIUM			



REMOVE ALL SHARP EDGES
 DIMENSIONS ARE IN INCHES
 AND APPLY AFTER FINISH
**TOLERANCE UNLESS
 OTHERWISE NOTED:**
 X.XX= ±.030
 X.XXX= ±.015
 X.XXXX= ±.005
 HOLES= ±.005
 ANGLES= ±1/2 DEG

DR
EMD

DATE

CK
-

DATE
-

ENG

DATE

MFG

DATE

QA

DATE

LUXER[®] 5665 Power Inn Rd.
 Suite 140
 Sacramento, CA
 95826
 877.589.3738
ONE

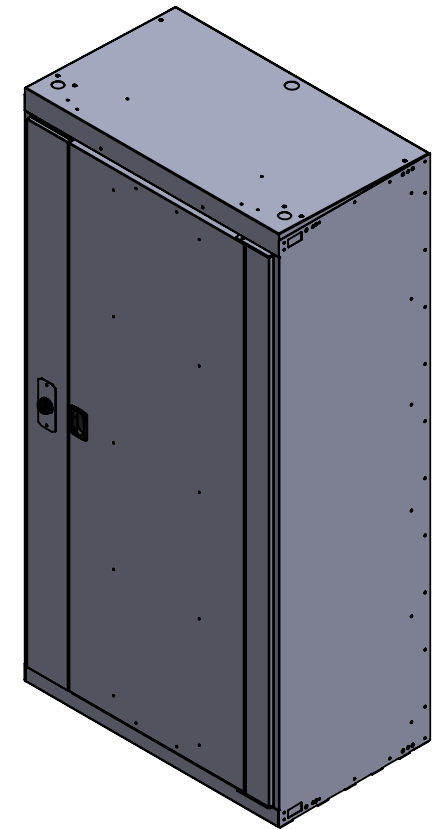
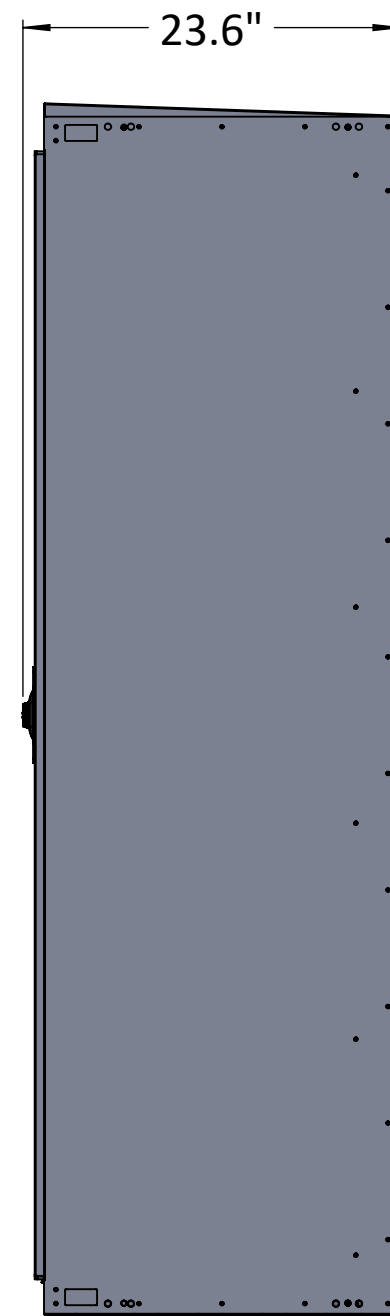
TITLE
4-DOOR

SCALE SIZE PART # REV
B A

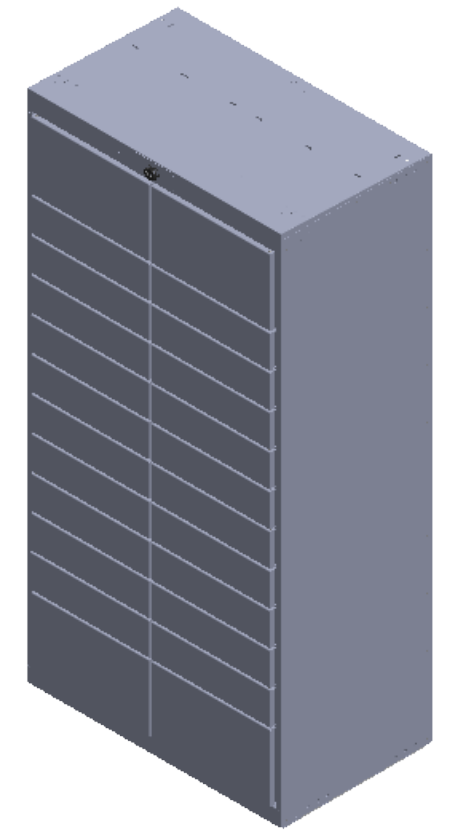
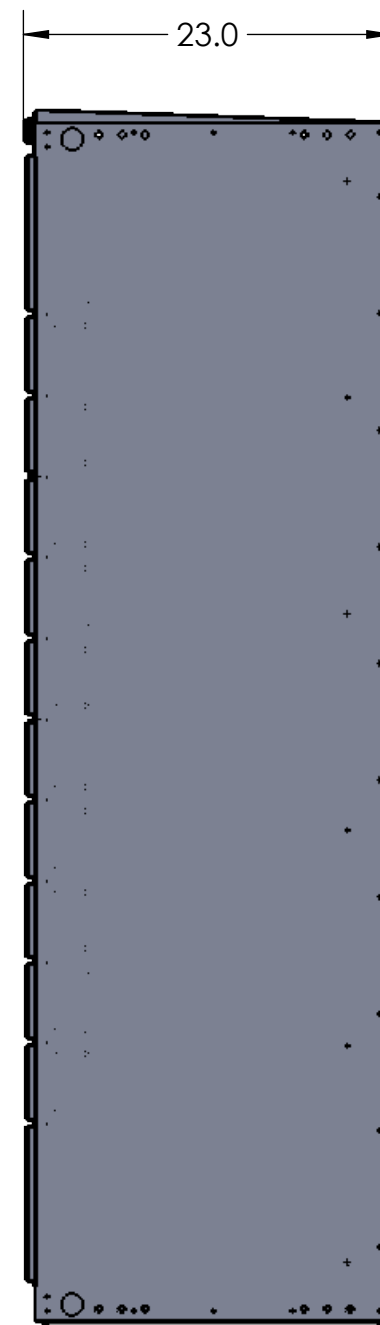
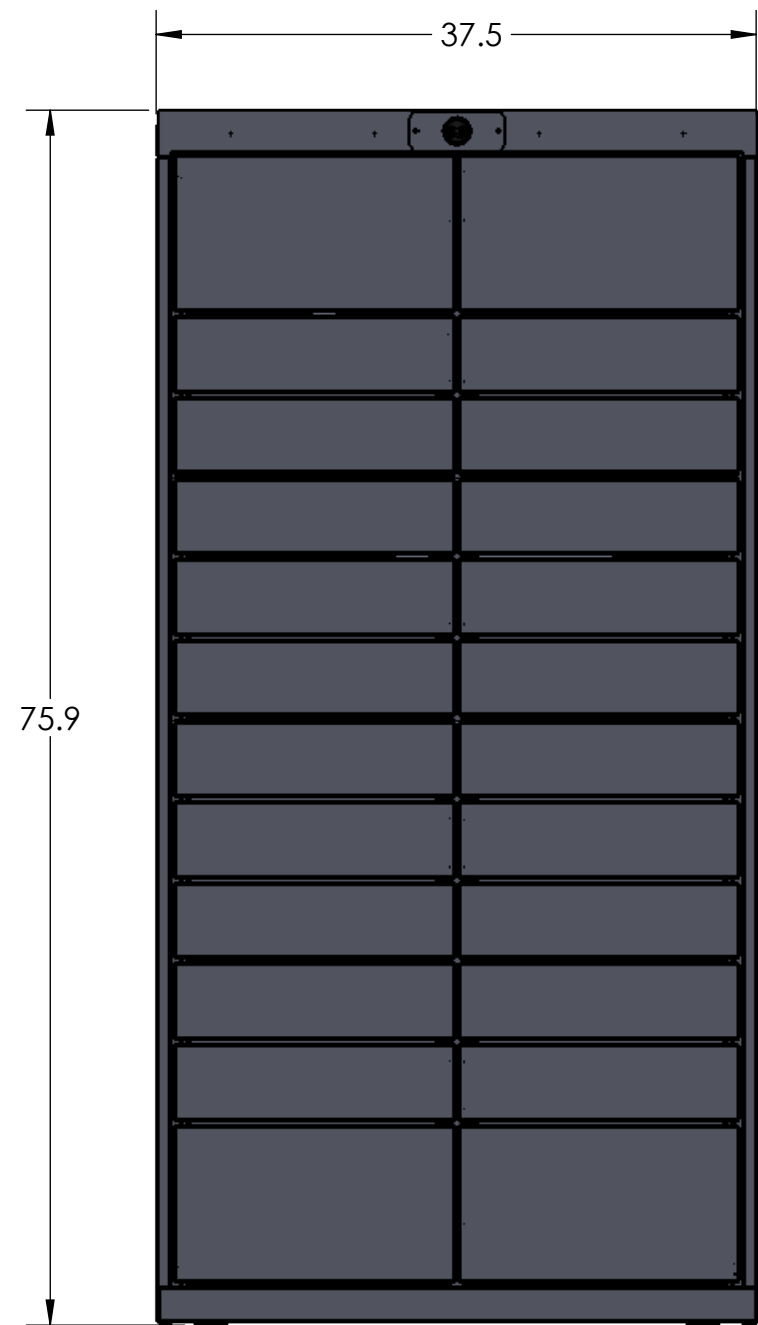
DO NOT SCALE SHT 1 OF 1

MATERIAL
NA

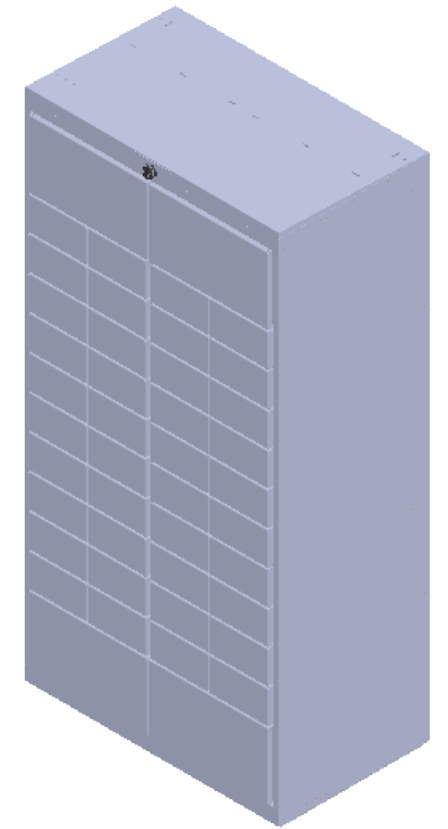
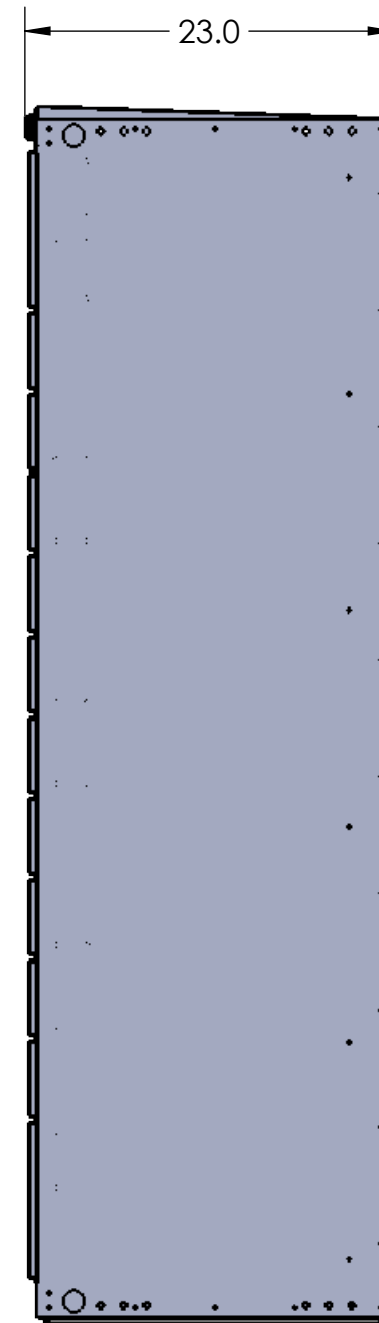
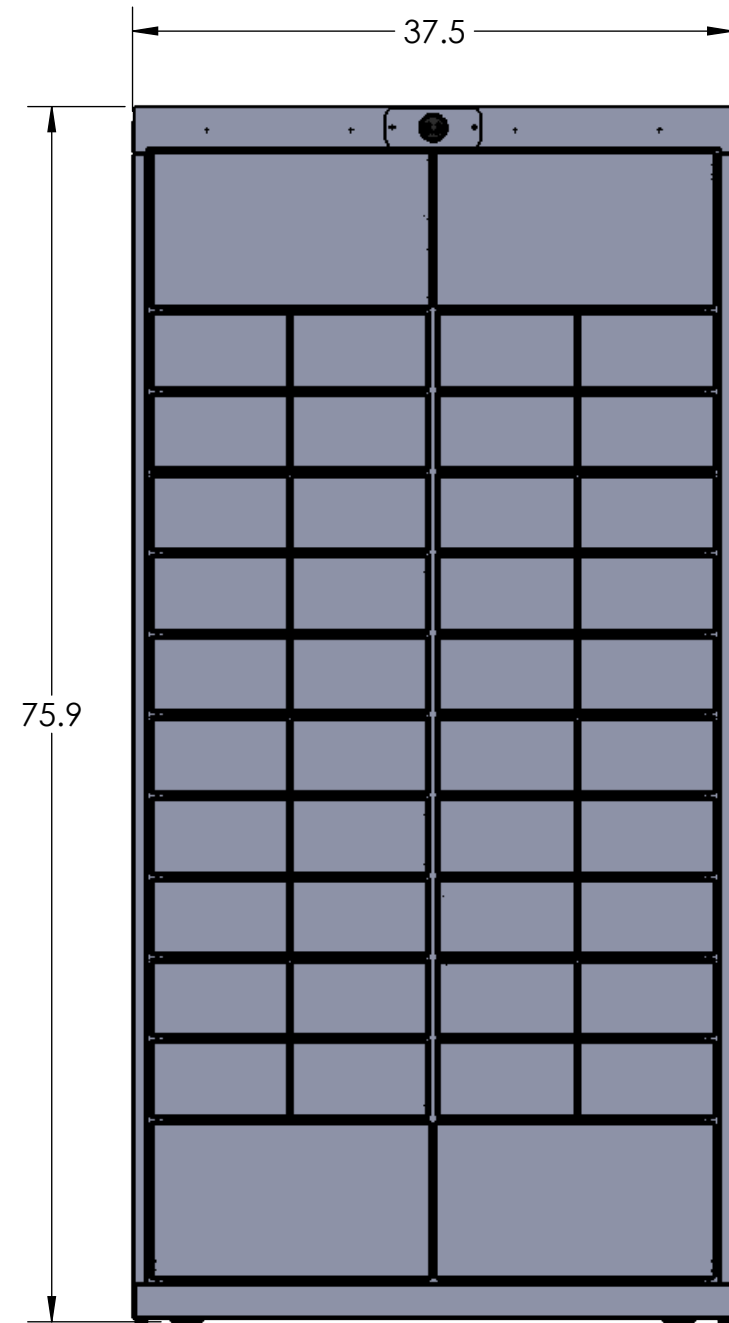
FINISH
NA



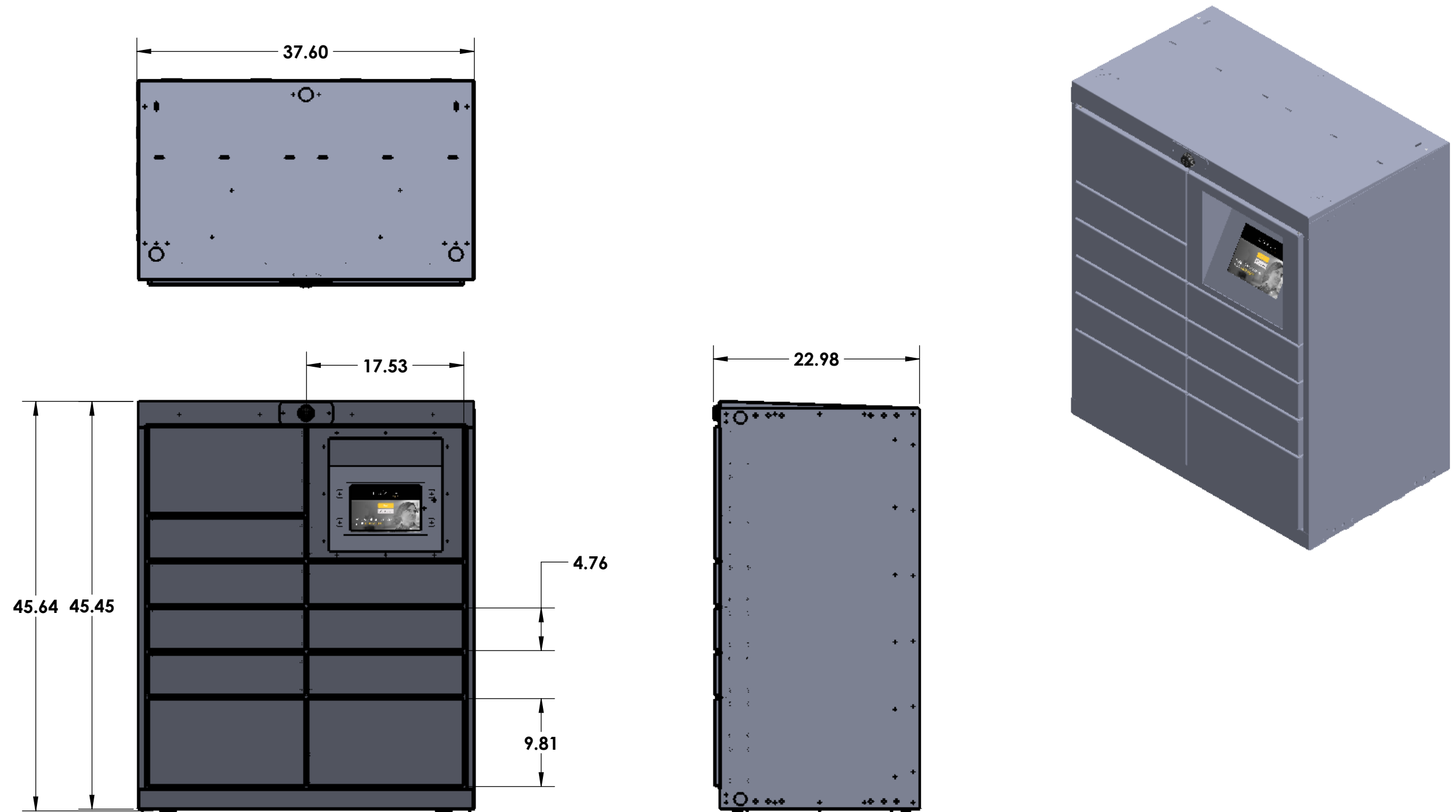
REMOVE ALL SHARP EDGES DIMENSIONS ARE IN INCHES AND APPLY AFTER FINISH TOLERANCE UNLESS OTHERWISE NOTED: X.XX= ±.030 X.XXX= ±.015 X.XXXX= ±.005 HOLES= ±.005 ANGLES= ±1/2 DEG		DR	DATE	LUXER[®] ONE 5665 Power Inn Rd. Suite 140 Sacramento, CA 95826 877.589.3738			
		EMD					
		CK	DATE	TITLE			
MATERIAL	NA	ENG	DATE	SCALE	SIZE	PART #	REV
FINISH	NA	MFG	DATE	DO NOT SCALE	B		A
			QA	DATE	SHT 1 OF 1		



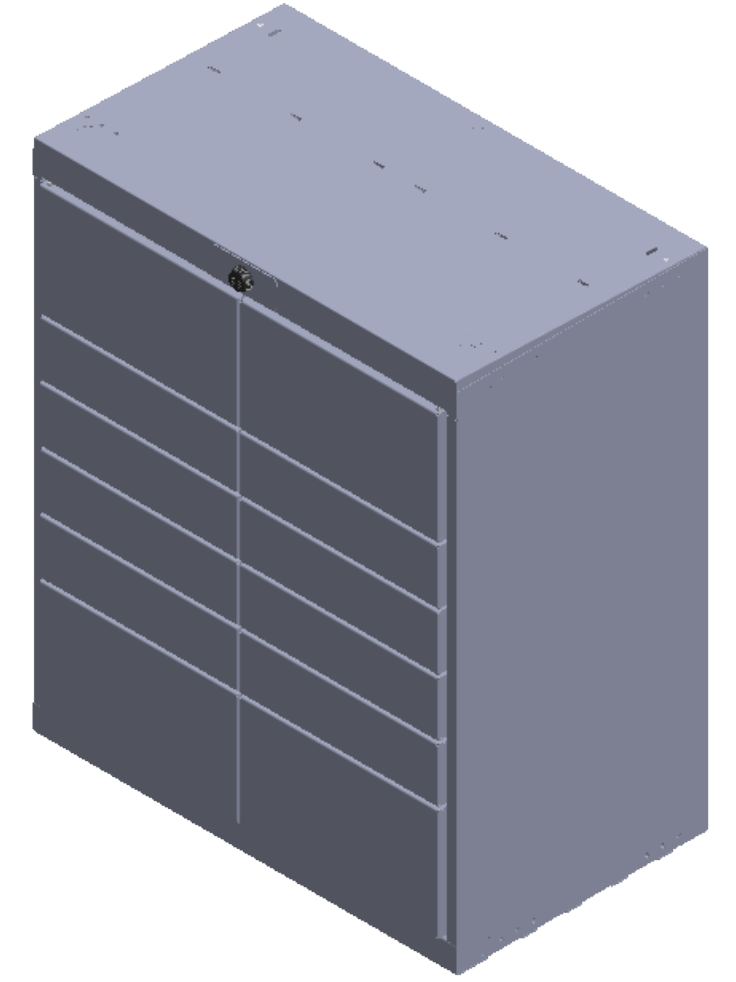
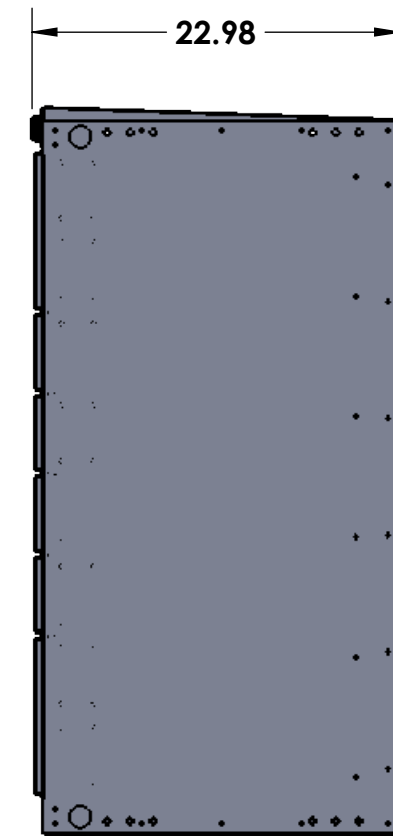
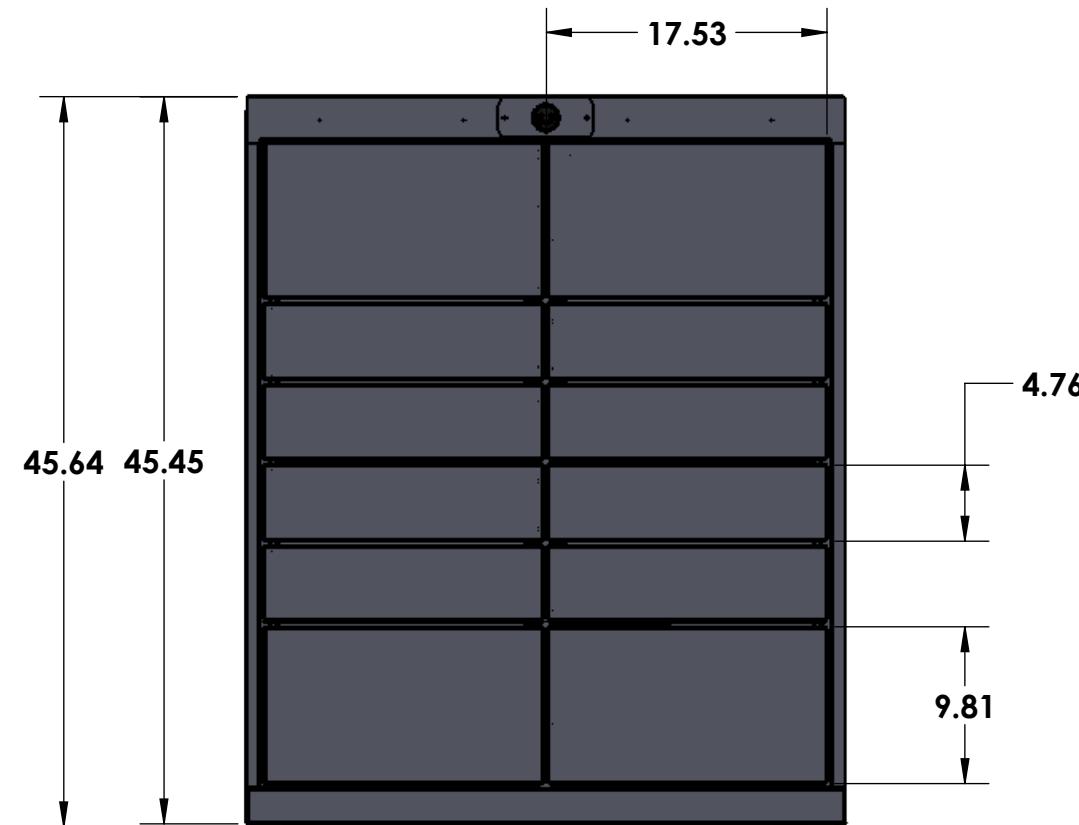
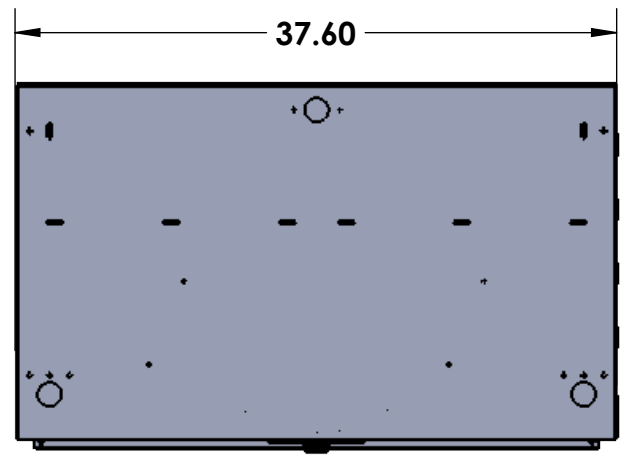
REMOVE ALL SHARP EDGES DIMENSIONS ARE IN INCHES AND APPLY AFTER FINISH TOLERANCE UNLESS OTHERWISE NOTED: X.XX= ±.030 X.XXX= ±.015 X.XXXX= ±.005 HOLES= ±.005 ANGLES= ±1/2 DEG		DR	DATE	LUXER[®] ONE 5665 Power Inn Rd. Suite 140 Sacramento, CA 95826 877.589.3738			
		JN	DATE				
		CK	DATE				
		ENG	DATE	TITLE 24-Door			
MATERIAL	NA	MFG	DATE	SCALE	SIZE B	PART #	REV A
FINISH	NA	QA	DATE	DO NOT SCALE			SHT 1 OF 1



REMOVE ALL SHARP EDGES DIMENSIONS ARE IN INCHES AND APPLY AFTER FINISH TOLERANCE UNLESS OTHERWISE NOTED: X.XX= ±.030 X.XXX= ±.015 X.XXXX= ±.005 HOLES= ±.005 ANGLES= ±1/2 DEG		DR JN	DATE	LUXER <small>ONE</small>		<small>5665 Power Inn Rd. Suite 140 Sacramento, CA 95826 877.589.3738</small>	
		CK	DATE	TITLE 44-DOOR			
		ENG	DATE	SCALE	SIZE B	PART #	REV A
MATERIAL	NA	MFG	DATE	DO NOT SCALE		SHT 1 OF 1	
FINISH	NA	QA	DATE				



PROPRIETARY AND CONFIDENTIAL THE INFORMATION CONTAINED IN THIS DOCUMENT IS THE SOLE PROPERTY OF LUXER ONE CORPORATION. ANY REPRODUCTION IN WHOLE OR IN PART WITHOUT THE WRITTEN PERMISSION OF LUXER ONE CORPORATION IS PROHIBITED.	REMOVE ALL SHARP EDGES DIMENSIONS ARE IN INCHES AND APPLY AFTER FINISH TOLERANCE UNLESS OTHERWISE NOTED: X.XX= ±.030 X.XXX= ±.015 X.XXXX= ±.005 HOLES= ±.005 ANGLES= ±1/2 DEG	DR	DATE	LUXER ONE 5665 Power Inn Rd. Suite 140 Sacramento, CA 95826 877.589.3738							
		CK	DATE					TITLE SIGHTLINE - MAIN			
		ENG	DATE								
CAD FILE NAME	MATERIAL	MFG	DATE	SCALE	SIZE	PART #	REV				
NEXT ASSY	FINISH	QA	DATE	DO NOT SCALE			A				
				SHT 1 OF 1							



PROPRIETARY AND CONFIDENTIAL THE INFORMATION CONTAINED IN THIS DOCUMENT IS THE SOLE PROPERTY OF LUXER ONE CORPORATION. ANY REPRODUCTION IN WHOLE OR IN PART WITHOUT THE WRITTEN PERMISSION OF LUXER ONE CORPORATION IS PROHIBITED.	REMOVE ALL SHARP EDGES DIMENSIONS ARE IN INCHES AND APPLY AFTER FINISH TOLERANCE UNLESS OTHERWISE NOTED: X.XX= ±.030 X.XXX= ±.015 X.XXXX= ±.005 HOLES= ±.005 ANGLES= ±1/2 DEG	DR	DATE	LUXER ONE 5665 Power Inn Rd. Suite 140 Sacramento, CA 95826 877.589.3738			
		CK	DATE				
		ENG	DATE	TITLE SIGHTLINE - ADD-ON			
		CAD FILE NAME	MATERIAL	MFG	DATE	SCALE	SIZE B
NEXT ASSY	FINISH	QA	DATE	DO NOT SCALE			SHT 1 OF 1