

	MODEL NUMBER: 1000 Series CMT Arm	Document Number: PD196-326R2
	Installation Instruction for 1000 Series CMT Arm with 48" Vertical Travel	Page 1 of 7

	CAUTION		This symbol indicates that dangerous voltage constituting a risk of electric shock is present within this unit.
	RISK OF ELECTRIC SHOCK, DO NOT OPEN!		
CAUTION: TO REDUCE THE RISK OF ELECTRIC SHOCK, DO NOT REMOVE COVER. NO USER SERVICEABLE PARTS INSIDE. REFER SERVICING TO QUALIFIED SERVICE PERSONNEL			

THIS INSTALLATION SHOULD BE MADE BY A QUALIFIED SERVICE PERSON AND SHOULD CONFORM TO ALL LOCAL CODES. READ AND FOLLOW THE SAFETY INSTRUCTIONS BEFORE ATTEMPTING THIS INSTALLATION.

NOTE to CATV system installer: This reminder is provided to call the CATV system installer's attention to Article 820-40 of the NEC that provides guidelines for proper grounding and, in particular, specifies that the cable ground shall be connected to the grounding system of the building, as close to the point of cable entry as practical.

WARNING: OXYGEN ENVIRONMENT DO NOT use in an oxygen tent or oxygen chamber. Such use may cause a fire hazard.

WARNING: To avoid the hazards of fire or electric shock, **DO NOT** expose this TV to rain or moisture.



DANGER: ARM RECOIL HAZARD The safety brake pin must remain in the SAFETY BRAKE PIN HOLE whenever the television set is removed from the arm or when the arm is removed from the wall bracket to prevent the arm from springing open.


Apparatus shall not be exposed to dripping or splashing and no objects filled with liquids, such as vases, shall be placed on the apparatus. Unplug this unit from the wall outlet before cleaning. Do not use liquid cleaners or aerosol cleaners. Use a damp cloth for cleaning. This unit **REQUIRES** periodic maintenance. Refer to the maintenance section for instructions.

1. Read these instructions.
2. Keep these instructions.
3. Heed all warnings.
4. Follow all instructions.
5. Do not use this apparatus near water.
6. Clean only with dry cloth.
7. Do not block any ventilation openings. Install in accordance with the manufacturer's instructions.
8. Do not install near any heat source such as radiators, heat registers, stove, or other apparatus (including amplifiers) that produce heat.
9. Use only with the cart, stand, tripod, bracket or table specified by the manufacturer, or sold with the apparatus. When a cart is used, use caution when moving the cart/apparatus combination to avoid injury from tip-over.
10. Do not defeat the safety purpose of the polarized or grounding-type plug. A polarized plug has two blades



- with one wider than the other. A grounding type plug has two blades and a third grounding prong. The wide blade or the third prongs are provided for your safety. If the provided plug does not fit into your outlet, consult an electrician for replacement of the obsolete outlet.
11. Protect the power cord from being walked on or pinched particularly at plugs, convenience receptacles, and the point where they exit from the apparatus.
12. Only use attachments/accessories specified by the manufacturer.
13. Unplug this apparatus during lightning storms or when unused for long periods of time.
14. Refer all servicing to qualified service personnel. Servicing is required when the apparatus has been damaged in any way, such as power-supply cord or plug is damaged, liquid has been spilled or objects have fallen into the apparatus, the apparatus has been exposed to rain or moisture, does not operate normally, or has been dropped.

Contact PDi for complete list of approved TV model numbers for which this arm can be used.

	MODEL NUMBER: 1000 Series CMT Arm	Document Number: PD196-326R2
	Installation Instruction for 1000 Series CMT Arm with 48" Vertical Travel	Page 2 of 7

Scope:

How to install a PDI-CMT-SUPPORT.

How to install a 1000 series PDi Extended Ceiling Mount ARM to a PDI-CMT support.

Tool List:

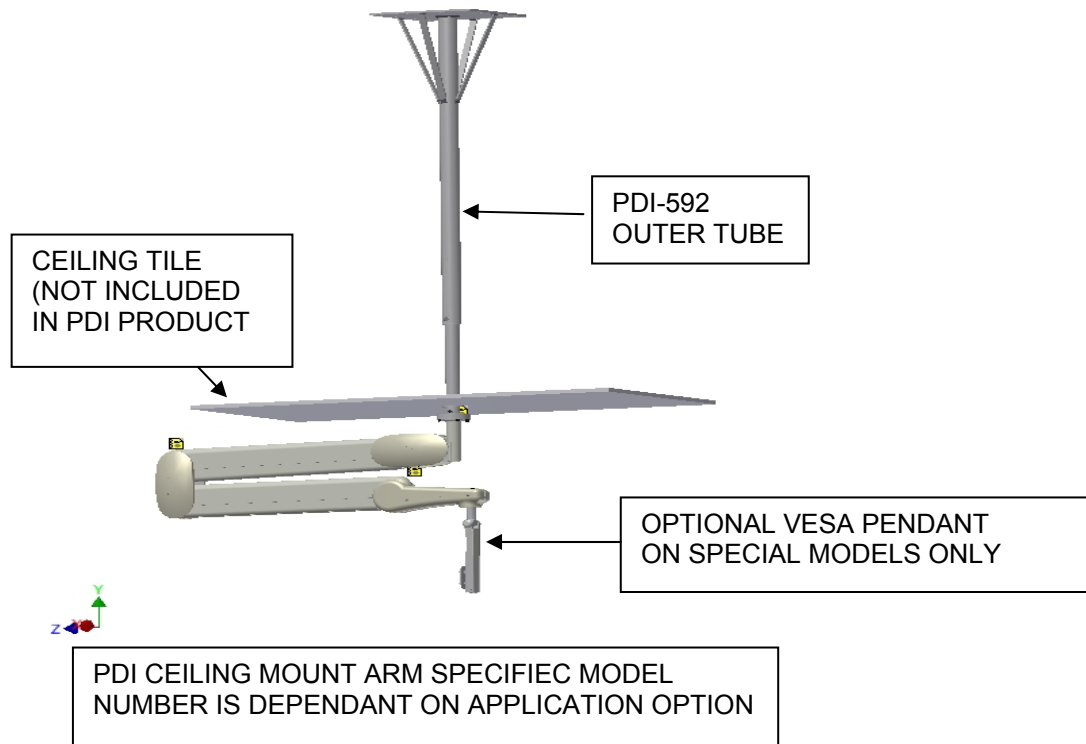
- 1) Safety glasses/goggles
- 2) P1 OR P2 Phillips screw driver
- 3) 5/32 Hex key or hex bit and driver
- 4) 3/16 Hex key or hex bit and driver
- 5) SUITABLE tools needed for mounting the PDI-CMT-SUPPORT to the building structure.
- 6) (2) 9/16" wrenches
- 7) Drill with a 3/8" drill bit

Safety steps:

- 1) Always wear safety glasses/goggles to prevent injury from debris.
- 2) Follow the installation/removal instructions for your existing products.

Procedure Overview:

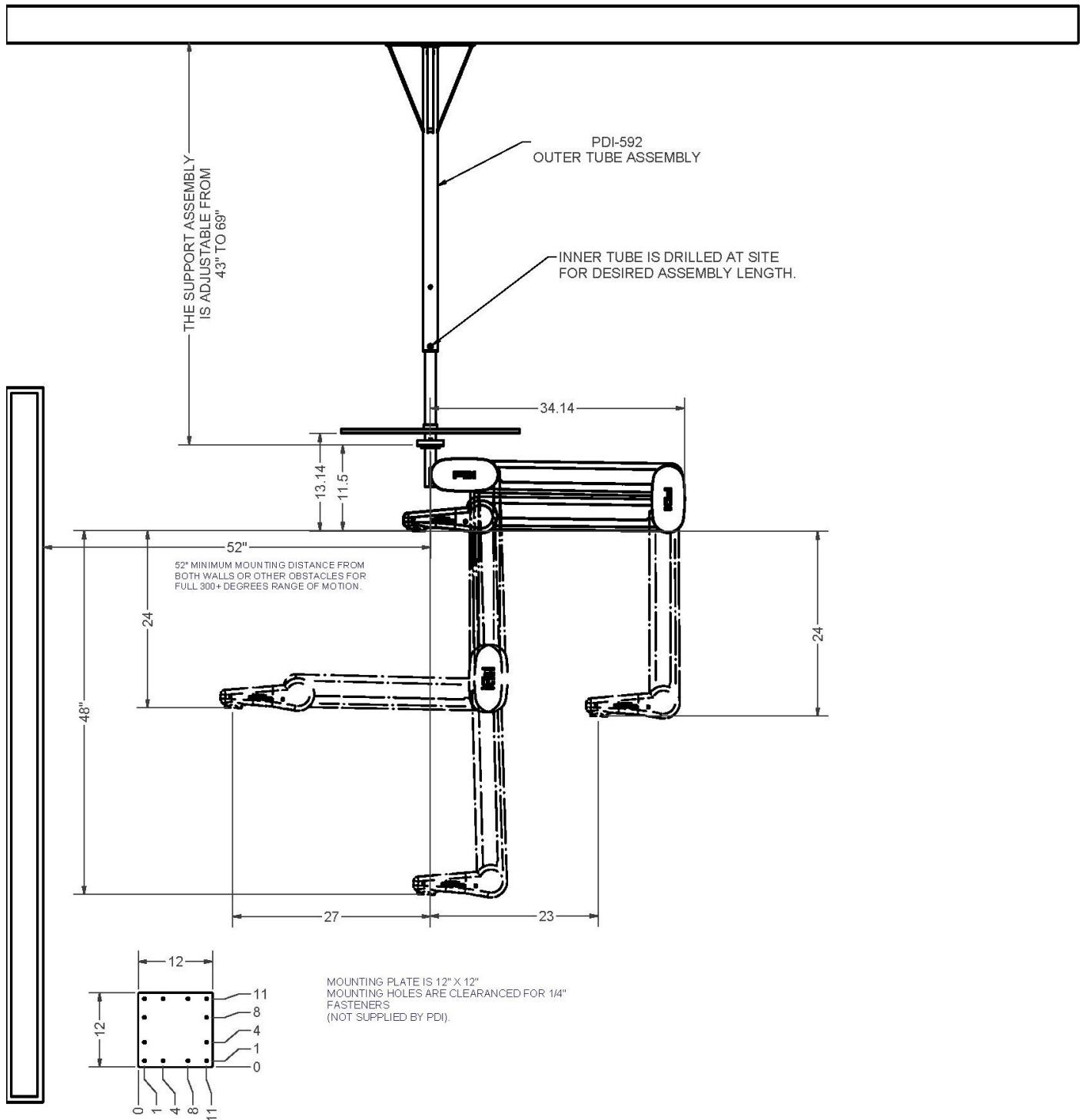
A complete mounting system for attachment to a solid roofing structure above a suspended tile ceiling. Outer tube mounts to a solid surface, inner tube allows adjustment of height to clear the tile ceiling, and then a special arm section attaches to the bottom of the tube. These various CEILING MOUNT ARM models can support up to 13 pounds.



Step 1:

LOCATE AND MOUNT OUTER TUBE

1. Remove the ceiling tile and locate a mounting position above the patient's bed at a minimum distance of 52 inches from walls or other obstacles.
2. Mount the outer tube PDI-592 securely to the ceiling using the twelve mounting holes provided in the plate.



Adjust Height and Drill Inner Tube

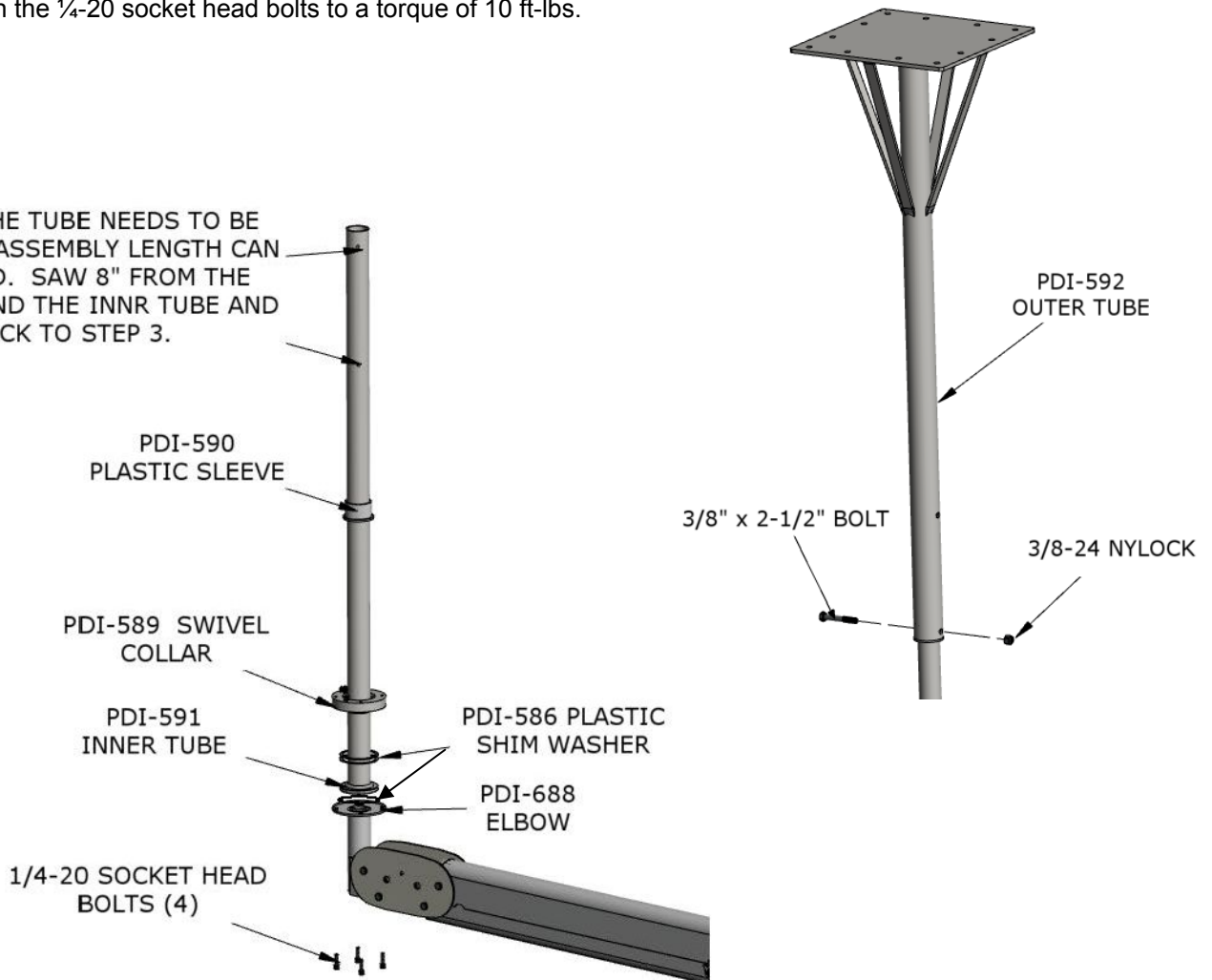
1. Slide the inner tube PDI-591 up to the desired height (see note "A"). Push the plastic sleeve PDI-590 until the shoulder is seated in the outer tube. At the cross hole near the bottom of the outer tube, drill through the plastic sleeve and the inner tube from each side. Use a 3/8" diameter drill bit. Slide the 3/8" x 2-1/2" bolt through and tighten nut. Cut hole for tube in ceiling tile and replace tile.

2. Drop a fish wire through the cable exit hole located near the base plate of the outer tube. (not shown). The wire should exit the bottom of the tube. Remove the four 1/4-20 socket head bolts from the swivel collar PDI-589. Attach the fish wire to the cable pigtail(s) that exit the arm swivel cap elbow. Being sure to first thread the cable(s) through the plastic shim 1. washer PDI-586.

Attach the Arm Section

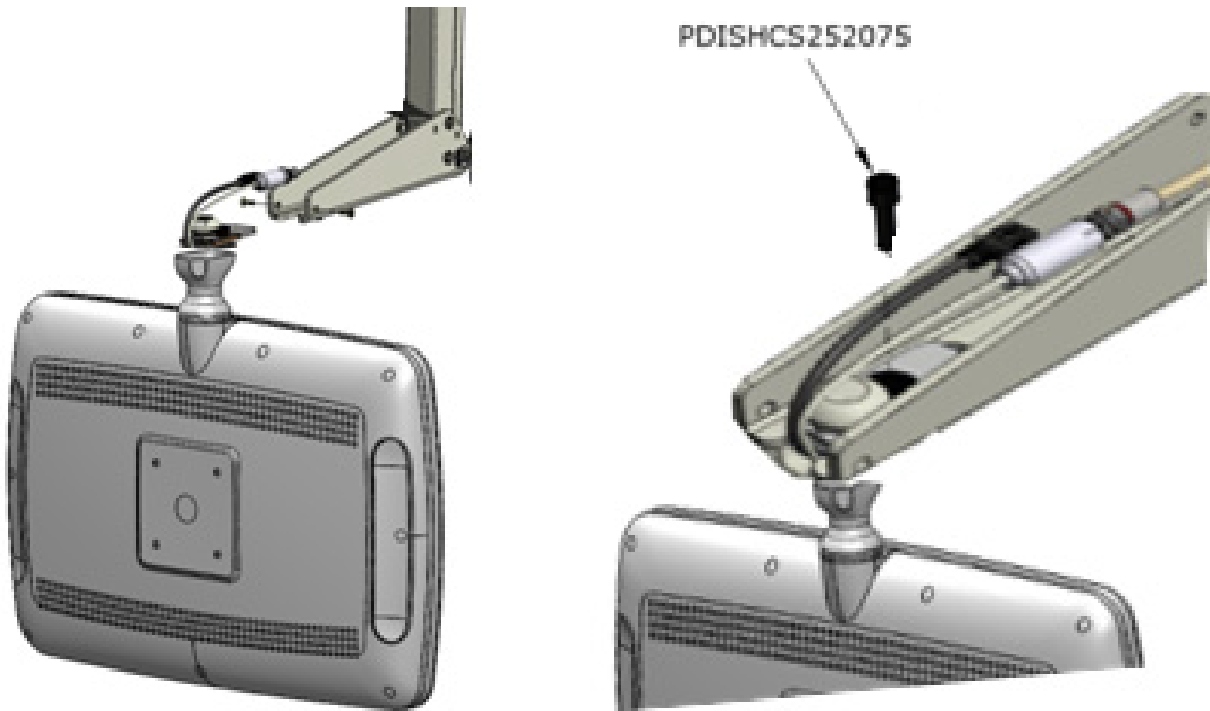
3. Pull the fish wire through the tube until the cables exit the base plate hole. Hold the plastic shim washer PDI-586 against the bottom of the inner tube PDI-591. Be sure it does not overlap the swivel collar. Hold the arm assembly against the bottom of the inner tube. The supplied thread locking compound LOCTITE® #242 (Blue) must be used on the 1/4-20 socket head bolts. Slide the 1/4-20 socket head bolts through the swivel cap PDI-688 and thread back into the swivel collar PDI-589. Tighten the 1/4-20 socket head bolts to a torque of 10 ft-lbs.


NOTE A: IF THE TUBE NEEDS TO BE HIGHTER, THE ASSEMBLY LENGTH CAN BE ADJUSTED. SAW 8" FROM THE OUTER TUBE AND THE INN R TUBE AND GO BACK TO STEP 3.



Step 3:

Attach the TV to the nose of the arm as pictured below, using a PDISHCS252075 socket head cap screw. Make the coaxial cable connection per the installation documents supplied with the TV. After verifying that the TV is correctly connected and functioning properly, begin installing the arm cover kit.



	MODEL NUMBER: 1000 Series CMT Arm	Document Number: PD196-326R2
	Installation Instruction for 1000 Series CMT Arm with 48" Vertical Travel	Page 6 of 7

NOTE:

- 1) Attach arm to Ceiling mount and mount TV to arm before beginning cover installation.
- 2) Arm Safety Brake Pin must be removed from arm nose to install the new Nose Arm Cover.
- 3) **DO NOT DISCARD SAFETY BRAKE PIN. Store the safety pin under one of the extra clamps in the nose of the arm for future service of the arm and/or TV.**

STEP 4.

Snap the (3) PD216-001 End Caps into the ends of the arm sections as pictured.

STEP 5.

Securely snap the Elbow Covers around the elbow joints. Hook over the top edges of the elbow plates then snap the lower hooks along the bottom edges.

When the halves are properly installed there should only be a thin seam visible where the halves meet.

STEP 6.

Attach the left and right Nose covers to the nose using (4) PD209-004 screws as pictured.

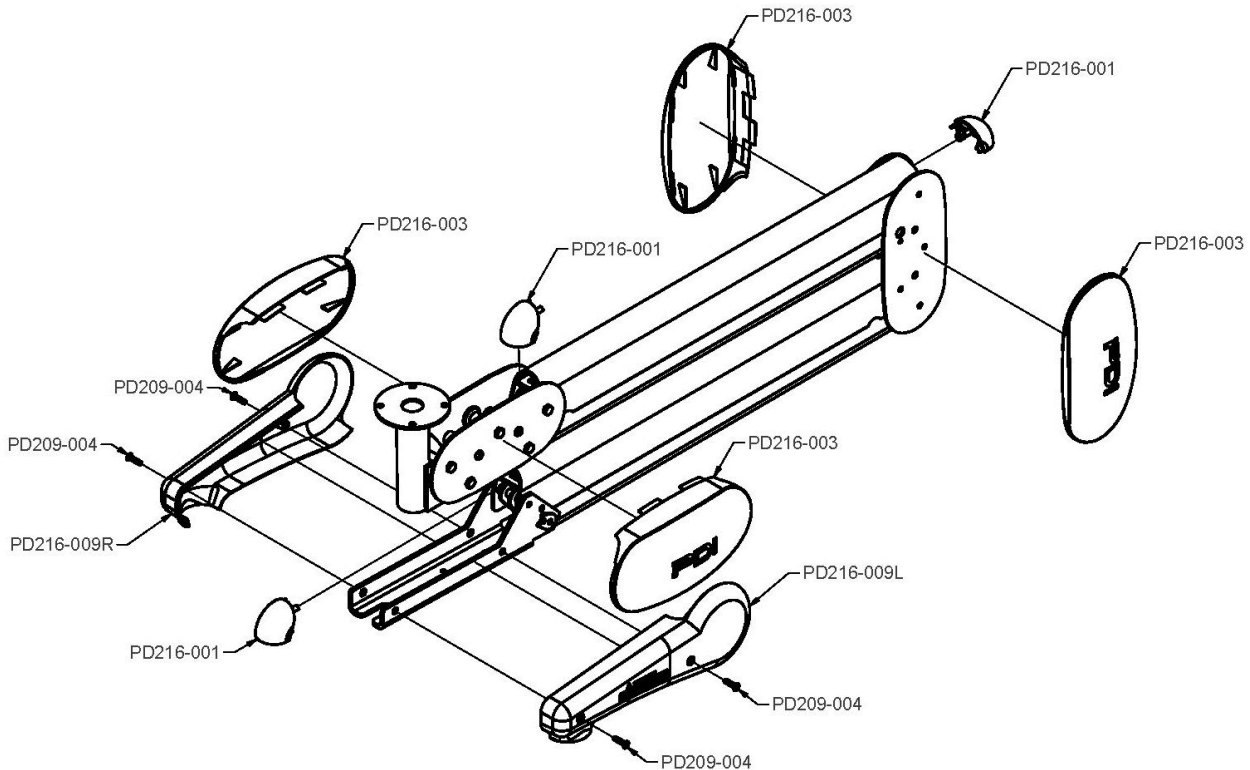
Tighten the (4) PD209-004 screws to secure the nose covers.

STEP 7.


Rotate the TV and move the arm thru its range of travel to check for any inference issues.

PARTS LIST for KIT:

- (3) PD216-001 End Caps
- (4) PD216-003 Elbow Covers
- (1) PD216-009L Left Nose Cover
- (1) PD216-009R Right Nose Cover
- (4) PD209-004 Painted Cover Screws



The TV is not shown for installation clarity.

	MODEL NUMBER: 1000 Series CMT Arm	Document Number: PD196-326R2
	Installation Instruction for 1000 Series CMT Arm with 48" Vertical Travel	Page 7 of 7

ARM MAINTENANCE

Very little maintenance should be required for your PDI Arm to give years of trouble free service if the following lubrication and inspection procedures are followed.

- 1. INSPECTION** - Occasionally check the elbow swivel joint for any evidence of bending or distortion due to a patient using the ARM for assistance in getting in or out of bed or any other misuse. If the ARM is not mounted with the support tube assembly absolutely vertical, it will have a tendency to drift and will not properly counter balance the television. Be certain that the support tube assembly that the arm is mounted to is vertical.
- 2. SPRING ADJUSTMENT** - The gas spring in this arm support a specific weight range for the model construction. These springs are not "adjustable. The pivot points for some arm models can be moved to alter the weight capacity. Please contact the manufacturer for details. Otherwise the gas springs will have to be changed to alter the weight capacity of the arm.
- 3. LUBRICATION** - At least once a year a drop of light machine oil should be put on each pivot point in the nose, elbow, and base. **DO NOT PUT OIL ON THE FRICTION DAMPER PADS!**
- 4. REPLACEMENT OF COAX CABLE** - See cable replacement procedure in the full maintenance manual for your arm.
- 5. TORQUE ADJUSTMENT OF PIVOT SCREWS** - All screws in the ARM are tightened securely, and Loctite, at the factory and do not require specific checks with a torque wrench. **IF THE THREADS ARE STRIPPED IN THE NOSE, ELBOW, OR BASE, THAT PART NEEDS REPLACEMENT - DISCONTINUE USE IMMEDIATELY.**

