

	MODEL NUMBER: PD168-068	Document Number: PD196-407R1
	Short Arm Installation Instructions	Page 1 of 2

SCOPE:

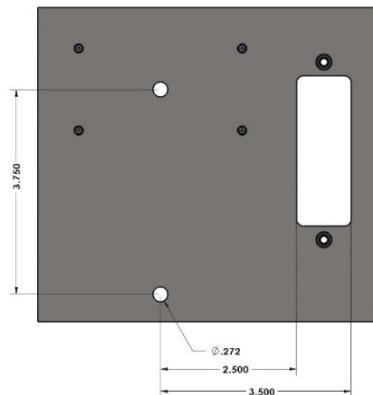
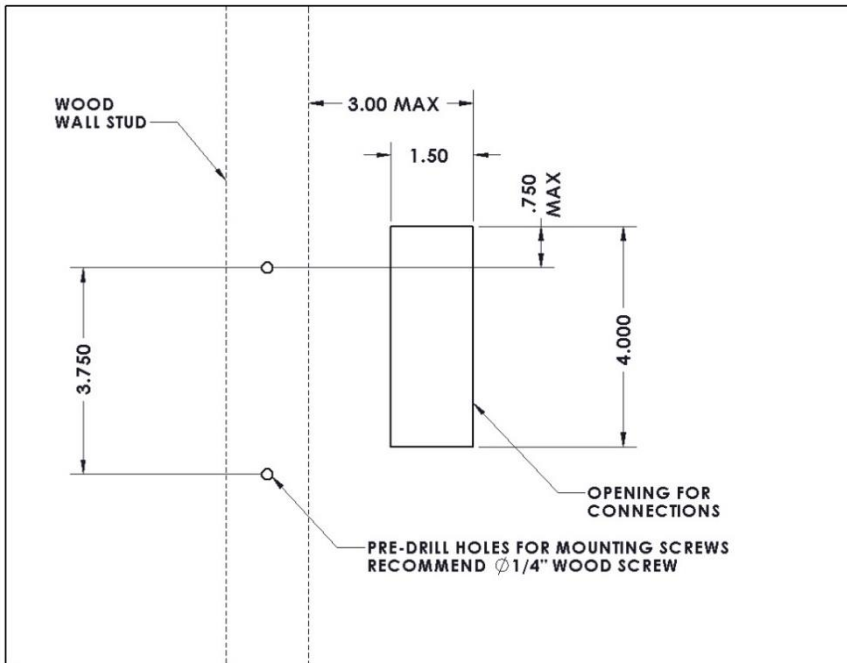
The scope of this document is to provide the information for the installation of the PD168-068 wall mount with AV plate.

TOOL LIST:

- Safety glasses/goggles
- Level
- Cut Resistant Gloves
- Phillips Screw Driver
- Adjustable Wrench

MOUNTING:

1. Select the location where the Wall Plate will be located.
2. Pre-Drill the holes to mount the Wall Plate as shown in the figures (Holes will need to be vertical, relative to each other, and installed into a wood wall stud.).
3. Cut the opening for the connection(s) to the TV as indicated.



4. Make the appropriate connections to the backside of the Wall Plate.
5. Mount the Wall Plate using the recommended screws.
6. Attach the arm to the wall plate, as shown, using the nylon locking nuts provided. Tighten the nuts to 8-10in-lbs torque.

