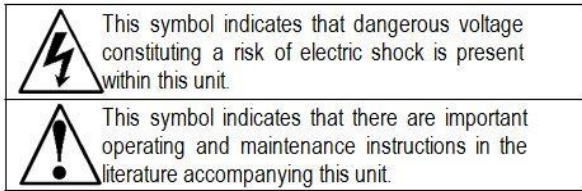


SAFETY INFORMATION



Overhead Falling Hazard

TV can pose a striking hazard when mounted at an elevated position. Use only PDi mounting brackets, support arms, and appropriate hardware to assure TV will not fall from the mounted position. Failure to do so may cause injury or death.



Rain and Moisture

WARNING: To avoid the hazards of fire or electrical shock, DO NOT expose this apparatus to rain or moisture.



Oxygen Environment

WARNING: Do not use in any oxygen tent or oxygen chamber. Such use may cause a fire hazard.



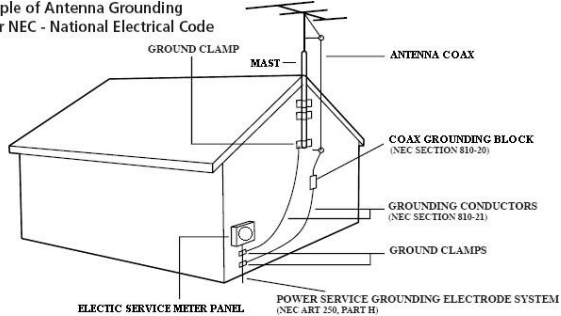
Wet Location

Do not use this apparatus near water. Apparatus shall not be exposed to dripping or splashing and no objects filled with liquids, such as vases, shall be placed on the apparatus.

Note to Cable TV Installer

This reminder is provided to call the cable TV systems installer's attention to Article 820-40 of the National Electrical Code. The code provides guidelines for proper grounding and, in particular, specifies that the cable ground shall be connected to the grounding system of the building, as close to the point of the cable entry as practical. Canadian installations shall be properly grounded in accordance with the Canadian Electrical Code, Part 1.

Example of Antenna Grounding as per NEC - National Electrical Code



FCC

This equipment has been tested and found to comply with the limits for a Class A digital device, pursuant to part 15 of the FCC Rules. These limits are designed to provide reasonable protection against harmful interference when the equipment is operated in residential or commercial installation. If this equipment does cause harmful interference to radio or television reception, which can be determined by turning the equipment off and on, the user is encouraged to try to correct the interference by one or more of the following measures:

- Reorient or relocate the receiving antenna.
- Increase the separation between the equipment and receiver.
- Connect the equipment into an outlet on a circuit different from that to which the receiver is connected.
- Consult the dealer or an experienced radio/TV technician for help.

Cleaning and Disinfection

Clean the exterior of this apparatus by removing dust with a lint-free cloth. Suggested cleaning agent is 5% Bleach and Water solution. CAUTION: To avoid damage to the surface of the television, do not use abrasive or chemical cleaning agents: Spot test a new disinfectant by test cleaning a non-obvious small spot on the cabinet. Allow the disinfectant to soak per its instructions and then wipe clean. Do not use the disinfectant if the TV's surfaces show any sign of discoloration or softening. Do not immerse this apparatus.

Disconnecting Device from Mains

The main plug or an appliance coupler is used as the disconnecting device, the disconnect device shall remain readily operable.

Trademarks

Manufactured under license from Dolby Laboratories, Dolby and the double-D symbol are trademarks of Dolby Laboratories. All other brand names and product names used in the manual are trademarks, registered trademarks, or trade names of their respective holder. "PDi" is a registered trademark of PDi Communication Systems, Inc. All rights reserved.

Underwriters Laboratories

The model PDI-871-B/C/G Slim Power Mount is specialized apparatus and should be installed to National Electrical Code specifications.

This device is safety tested and listed by the Underwriters Laboratories as a product suitable for use in healthcare facilities in both the United States and Canada.



 PDi <small>Communication Systems, Inc.</small> <i>A Leader in Patient Communication Solutions™</i>	MODEL NUMBER: <h1 style="text-align: center;">PD168-066</h1>	Document Number: <h1 style="text-align: center;">PD196-409R1</h1>
	<h2>Reach 17 Installation Instructions</h2>	<h2>Page 2 of 5</h2>

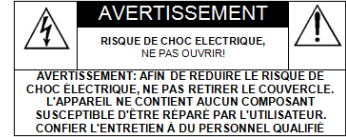
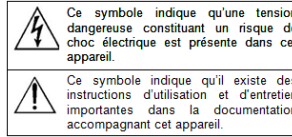
IMPORTANT SAFETY INSTRUCTIONS

CAUTION: THIS INSTALLATION SHOULD BE MADE BY A QUALIFIED SERVICE PERSON AND SHOULD CONFORM TO ALL LOCAL CODES. READ AND FOLLOW THE SAFETY INSTRUCTIONS BEFORE ATTEMPTING THIS INSTALLATION.

1. Read these Instructions – All the safety and operating instructions should be read before the product is operated.
2. Keep these Instructions – The safety and operating instructions should be retained for future reference.
3. Heed all Warnings – All warnings on the product and in the operating instructions should be adhered to.
4. Follow all Instructions – All warnings on the product and in the operating instructions should be followed.
5. Do not use this apparatus near water – for example, near a bath tub, wash bowl, in a wet basement; or near a swimming pool; and the like.
6. Clean only with dry cloth. Do not use liquid cleaners or aerosol cleaners.
7. Do not block any ventilation openings. Install in accordance with the manufacturer's instructions. The openings should never be blocked by placing the product on a bed, sofa, rug, or other similar surface.
8. Do not install near any heat sources such as radiators, heat registers, stoves, or other apparatus (including amplifiers) that produce heat.
9. DO NOT defeat the safety purpose of the polarized or grounding-type plug. This product is equipped with a three-wire grounding-type plug, a plug having a third (grounding) pin. This plug will only fit into a grounding-type power outlet. This is a safety feature. If you are unable to insert the plug into the outlet, contact your electrician to replace your obsolete outlet.
10. Protect the power cord from being walked on or pinched particularly at plugs, convenience receptacles, and the point where they exit from the product.
11. Attachments – Only use attachments/accessories specified by the manufacturer.
12. Use only with cart, stand, tripod, bracket, or table specified by the manufacturer, or sold with the apparatus. When a cart is used, use caution when moving the cart/apparatus combination to avoid injury from tip-over.
13. Unplug this apparatus during lightning storms when it is left unused for long periods of time.
14. Refer all servicing to qualified service personnel. Servicing is required when the apparatus has been damaged in any way, such as power-supply cord or plug is damaged, liquid has been spilled or objects have fallen into the apparatus, the apparatus has been exposed to rain or moisture, does not operate normally, or has been dropped.
15. Power Sources – This product should be operated only from the type of power source indicated on the marking label. If you are not sure of the type of power supply to your home, consult your product dealer or local power company. For products intended to operate from battery power, or other sources, refer to the operating instructions.
16. Oxygen Environment – Do not use in an oxygen tent or oxygen chamber. Such use may cause a fire hazard.
17. Lightning – For added protection for this product during a lightning storm, or when it is left unattended and unused for long periods of time, unplug it from the wall outlet and disconnect the antenna or cable system. This will prevent damage to the product due to lightning and power-line surges.
18. Servicing – Do not attempt to service this product yourself as opening or removing covers may expose you to dangerous voltage or other hazards. Refer all servicing to qualified service personnel.



19.



CONSIGNES DE SÉCURITÉ IMPORTANTES

CETTE INSTALLATION DOIT ÊTRE EFFECTUÉE PAR UN TECHNICIEN QUALIFIÉ ET DOIT ÊTRE CONFORME À TOUS LES CODES LOCAUX. LIRE ET SUIVRE LES CONSIGNES DE SÉCURITÉ AVANT DE PROCÉDER À L'INSTALLATION.

1. Lire ces instructions.
2. Conserver ces instructions.
3. Respecter tous les avertissements.
4. Suivez toutes les instructions - Tous les avertissements sur le produit et dans les instructions d'utilisation doivent être suivis.
5. N'utilisez pas cet appareil près de l'eau - par exemple, près d'une baignoire, d'un bol de lavage, dans un sous-sol humide; ou près d'une piscine; etc.
6. Nettoyez uniquement avec un chiffon sec. Ne pas utiliser de nettoyants liquides ou aérosols.
7. Ne bloquez aucune ouverture de ventilation. Installez conformément aux instructions du fabricant. Les ouvertures ne doivent jamais être bloquées en plaçant le produit sur un lit, un canapé, un tapis ou une autre surface similaire.
8. Ne l'installez pas à proximité de sources de chaleur telles que radiateurs, bouches de chaleur, poêles ou autres appareils (y compris les amplificateurs) produisant de la chaleur.
9. NE PAS nuire à la sécurité de la fiche polarisée ou de la terre. Ce produit est équipé d'une prise de terre à trois fils, une prise ayant une troisième broche (mise à la terre). Cette fiche ne peut être insérée que dans une prise de courant mise à la terre. Ceci est un élément de sécurité. Si vous ne parvenez pas à insérer la fiche dans la prise, contactez votre électricien pour remplacer votre prise obsolète.
10. Protégez le cordon d'alimentation afin qu'il ne soit pas piétiné ou pincé, en particulier au niveau des fiches, des prises de courant et du point de sortie du produit.
11. Pièces jointes - Utilisez uniquement les pièces jointes / accessoires spécifiés par le fabricant.
12. Utilisez uniquement avec un chariot, un pied, un trépied, un support ou une table spécifiés par le fabricant ou vendus avec l'appareil. Lorsqu'un chariot est utilisé, faites attention lorsque vous déplacez la combinaison chariot / appareil afin d'éviter toute blessure due au renversement.
13. Débranchez cet appareil en cas d'orage lorsqu'il n'est pas utilisé pendant une longue période.
14. Confiez toute réparation à un personnel qualifié. Un entretien est nécessaire lorsque l'appareil a été endommagé de quelque manière que ce soit, par exemple si le cordon d'alimentation ou la fiche est endommagé, si du liquide a été renversé ou si des objets sont tombés dans l'appareil, si l'appareil a été exposé à la pluie ou à l'humidité, ne fonctionne pas normalement, ou a été abandonné.
15. Sources d'alimentation - Ce produit doit uniquement être utilisé avec le type de source d'alimentation indiqué sur l'étiquette. Si vous n'êtes pas sûr du type d'alimentation de votre maison, consultez votre revendeur ou votre compagnie d'électricité locale. Pour les produits conçus pour fonctionner à partir d'une batterie ou d'autres sources, reportez-vous au mode d'emploi.
16. Environnement d'oxygène - Ne pas utiliser sous une tente à oxygène ou chambre à oxygène. Une telle utilisation peut causer un risque d'incendie.
17. Foudre - Pour renforcer la protection de ce produit pendant un orage ou lorsqu'il est laissé sans surveillance et non utilisé pendant une période prolongée, débranchez-le de la prise murale et de l'antenne ou du système de câbles. Cela évitera d'endommager le produit en raison de la foudre et des surtensions.
18. Entretien - N'essayez pas de réparer vous-même ce produit, car l'ouverture ou le retrait des capots peut vous exposer à des tensions dangereuses ou à d'autres dangers. Confiez toute réparation à un personnel qualifié.



 PDi Communication Systems, Inc. <i>A Leader in Patient Communication Solutions™</i>	MODEL NUMBER: PD168-066	Document Number: PD196-409R1
	Reach 17 Installation Instructions	Page 3 of 5

Disclaimer

The author and publisher have used their best efforts in preparing this manual. PDi Communication Systems, Inc. makes no representation or warranties with respect to the accuracy or completeness of the contents of this manual and specifically disclaims any implied warranties or merchantability or fitness for any particular purpose and shall in no event be liable for any loss of profit or any other damages. The information contained herein is believed accurate, but is not warranted, and is subject to change without notice or obligation.

SCOPE:

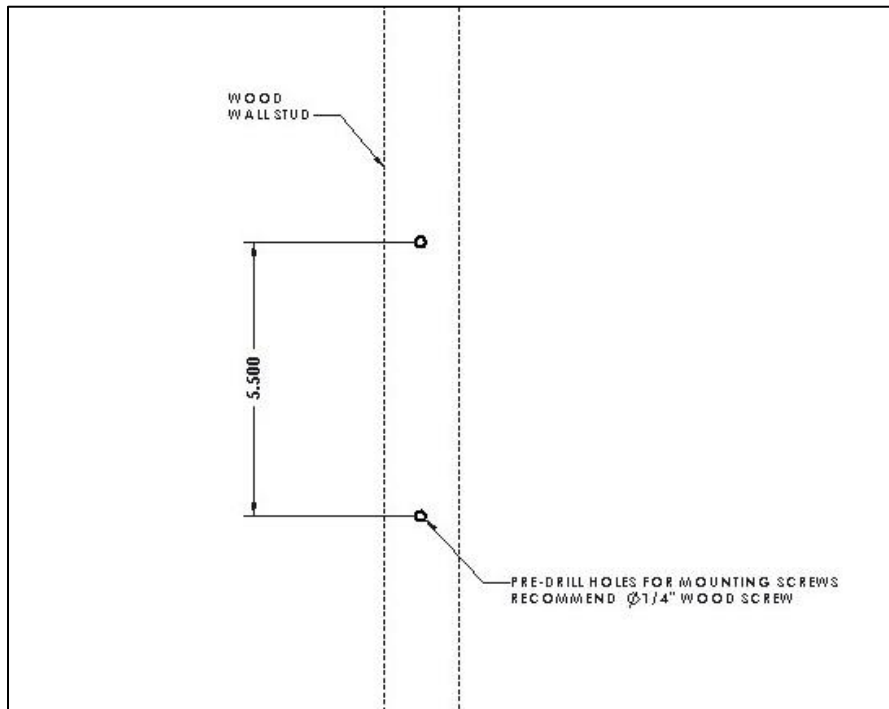
The scope of this document is to provide the information for the installation of the PD168-066 Reach 17 wall mount with the PDI-750AS Power Supply.

TOOL LIST:

Safety glasses/goggles
 Level
 Cut Resistant Gloves
 Phillips Screw Driver
 Adjustable Wrench

MOUNTING:

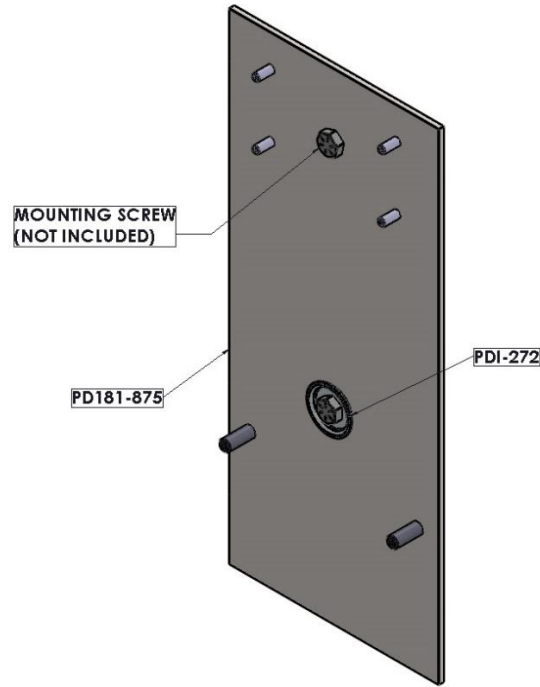
1. Select the location where the Reach 17 Wall Plate will be located. (Note that the power cord for the PDI-750AS-B power supply is 6ft long.)
2. Pre-Drill the holes to mount the Reach 17 Wall Plate as shown in the figure below. Holes will need to be vertical, relative to each other.



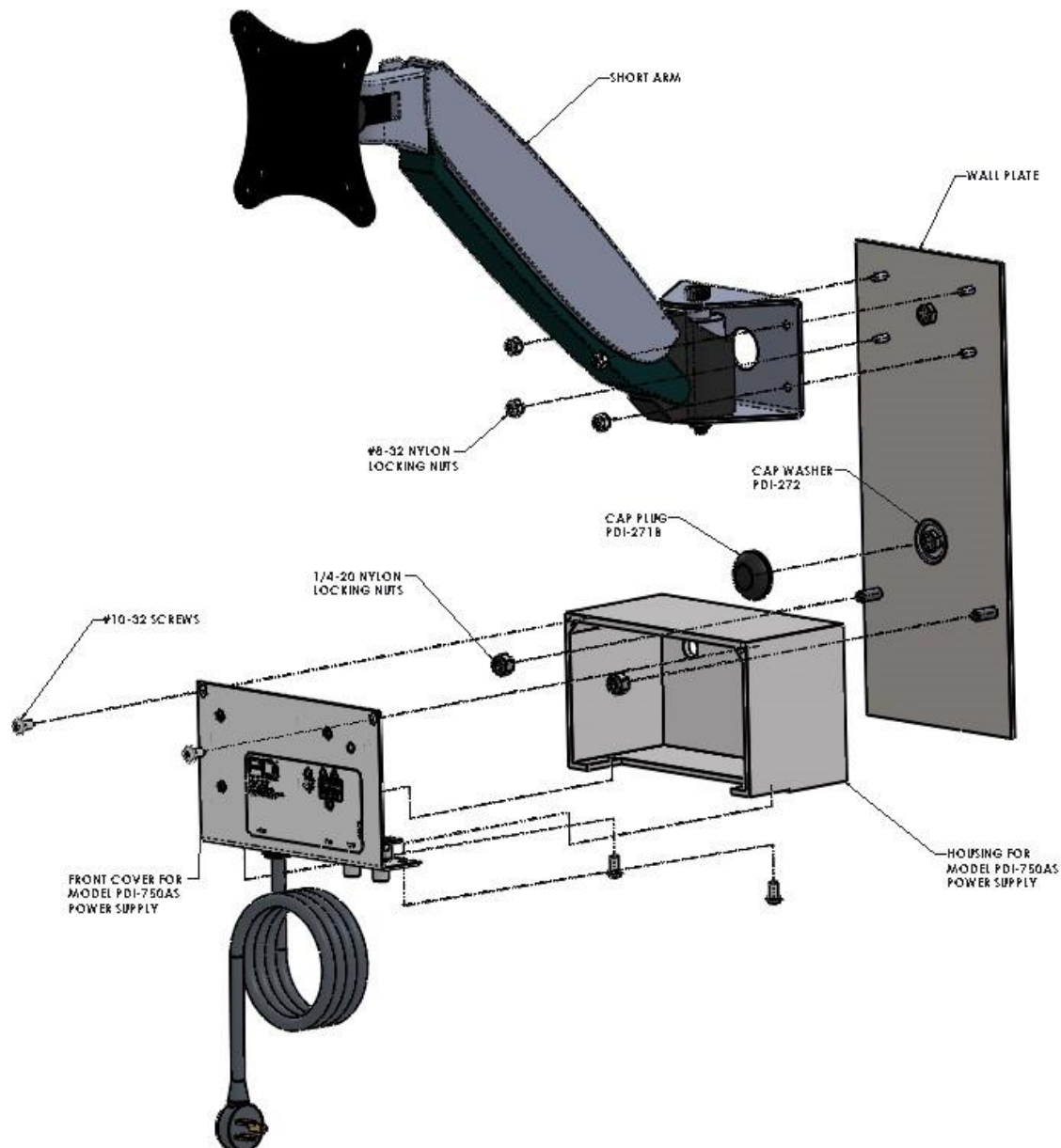
Note: It is recommended that the installation be mounted to a wood wall stud. If mounting into a wood stud is unavailable, the unit will need to be installed with a backer type plate that spans two studs, or with Snaptoggle BB wall anchors or equivalent. The backer plate and wall strength must be capable of supporting a 75 lb. force pulling perpendicular to the wall surface.

 PDi <small>Communication Systems, Inc.</small> <i>A Leader in Patient Communication Solutions™</i>	MODEL NUMBER: PD168-066	Document Number: PD196-409R1
	Reach 17 Installation Instructions	Page 4 of 5

- Mount the Reach 17 Wall Plate using the recommended screws. Install the washer, **PDI-272**, under the head of the lower mounting screw. See figure below.



- Attach the arm to the wall plate, as shown, using the #8-32 nylon locking nuts provided. Tighten the nuts to 8-10in-lbs torque. See figure below.
- Make sure the power to the **PDI-750AS** Power Supply has been disconnected. Remove the front cover by removing the four (4) #10-32 mounting screws.



6. If they are not already removed, remove the knockouts from the back of the housing for the **PDI-750AS** Power Supply.
7. Attach the **PDI-750AS** Power Supply to the wall plate, as shown, using the #1/4"-20 nylon locking nuts provided. Tighten the nuts to 8-10in-lbs torque.
8. Re-install the Front Cover of the **PDI-750AS**.
9. Install the cap plug, **PDI-271B**, over the cap washer, **PDI-272**.
10. Mount the TV to the Short Arm using the installation Instructions provided with the TV.

Contact PDi ProServices for installation assistance.

Ph: 1-800-628-9870, ext 505

email: t1service@pdiam.com