



## SAFETY INFORMATION


	This symbol indicates that dangerous voltage constituting a risk of electric shock is present within this unit.
	This symbol indicates that there are important operating and maintenance instructions in the literature accompanying this unit.

	<b>CAUTION</b> RISK OF ELECTRIC SHOCK, DO NOT OPEN!	
<b>CAUTION: TO REDUCE THE RISK OF ELECTRIC SHOCK, DO NOT REMOVE COVER. NO USER SERVICEABLE PARTS INSIDE. REFER SERVICING TO QUALIFIED SERVICE PERSONNEL</b>		

**THESE INSTALLATIONS SHOULD BE MADE BY A QUALIFIED SERVICE PERSON AND SHOULD CONFORM TO ALL LOCAL CODES. READ AND FOLLOW THE SAFETY INSTRUCTIONS BEFORE ATTEMPTING THIS INSTALLATION.**

**NOTE to CATV system installer:** This reminder is provided to call the CATV system installer's attention to Article 820-40 of the NEC that provides guidelines for proper grounding and, in particular, specifies that the cable ground shall be connected to the grounding system of the building, as close to the point of cable entry as practical.

PDi Technical Support 1-800-628-9870

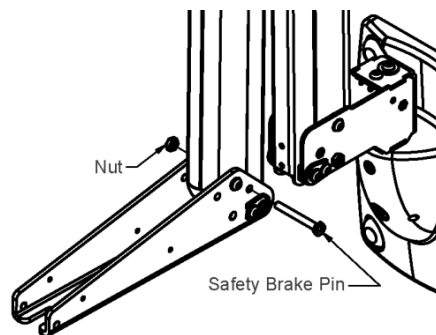
	Ce symbole indique qu'une tension dangereuse constituant un risque de choc électrique est présente dans cet appareil.
	Ce symbole indique qu'il existe des instructions d'utilisation et d'entretien importantes dans la documentation accompagnant cet appareil.

	<b>AVERTISSEMENT</b> RISQUE DE CHOC ELECTRIQUE, NE PAS OUVRIR!	
<b>AVERTISSEMENT: AFIN DE REDUIRE LE RISQUE DE CHOC ELECTRIQUE, NE PAS RETIRER LE COUVERCLE. L'APPAREIL NE CONTIENT AUCUN COMPOSANT SU SCEPTIBLE D'ETRE REPARÉ PAR L'UTILISATEUR. CONFIER L'ENTRETIEN A DU PERSONNEL QUALIFIE</b>		

**CETTE INSTALLATION DOIT ÊTRE EFFECTUÉE PAR UN TECHNICIEN QUALIFIÉ ET DOIT ÊTRE CONFORME À TOUS LES CODES LOCAUX. LIRE ET SUIVRE LES CONSIGNES DE SÉCURITÉ AVANT DE PROCÉDER À L'INSTALLATION.**



**DANGER: ARM RECOIL HAZARD.** The safety brake pin must remain in the **SAFETY BRAKE PIN HOLE** whenever the television set is removed from the arm or when the arm is removed from the wall bracket to prevent the arm from springing open.



## ARM INSTALLATION

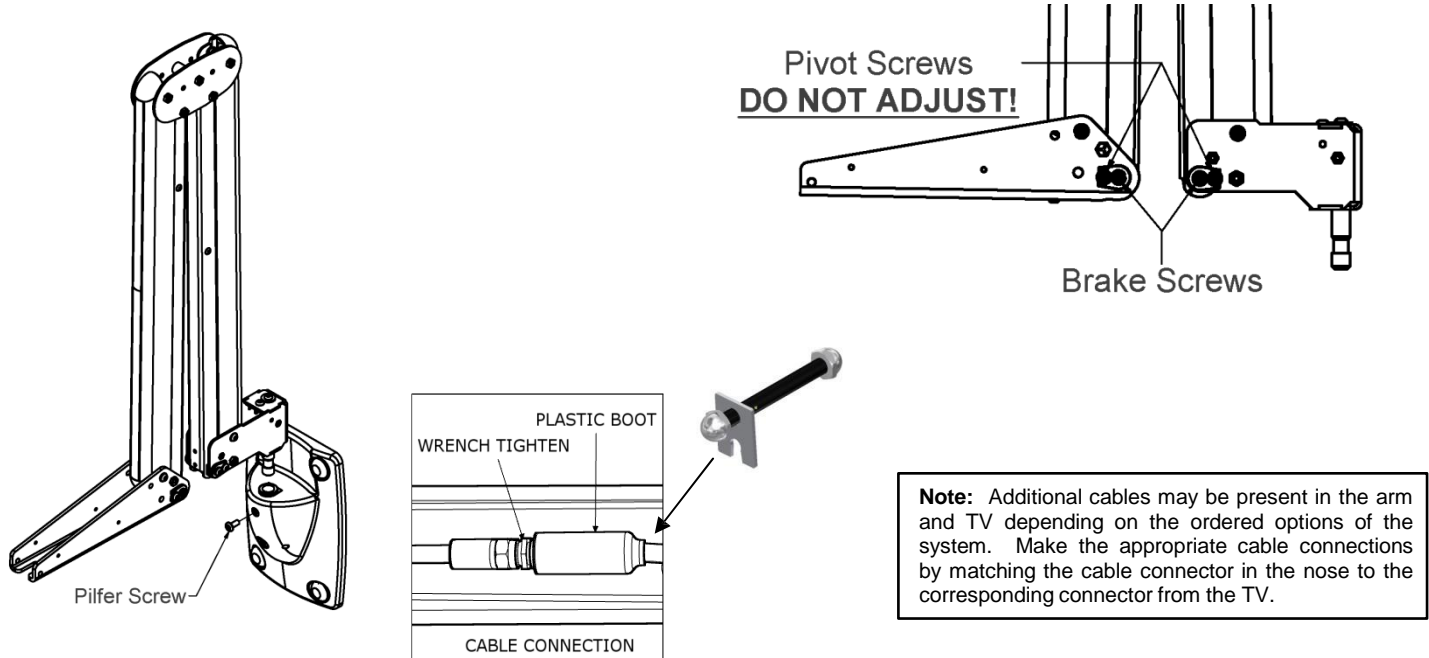
### 1400 SERIES

The PDi arms are specifically designed and adjusted to support a certain load capacity. Use of the arm with any weight other than what is specified for your model is **NOT** recommended. The pilfer screw should be loosened before inserting arm into bracket.

1. Back out the Pilfer screw several turns to allow the base pin to load into the bushing of the wall bracket.
2. Place the arm's base pin into the wall bracket. The base pin should seat in the wall bracket bushing.
3. Tighten the wall bracket pilfer screw.

4. Attach the TV to the nose per TV installation instructions.
5. The cable from the arm should be joined with the television cable, **wrench tightened**, and the connection covered by sliding the plastic boot sections into mating position.
6. Remove the safety brake pin from the parking brake hole and keep the pin for future service needs. Attach to coax as pictured below.
7. Cycle the arm once or twice to check for free movement – if stiff, a slight loosening of the brake screws will free the movement. **DO NOT LOOSEN MORE THAN 1/16 TURN.**

Power the TV on and verify correct operation. Refer to the instructions packed with the TV for programming and operation details.



\*Plastic covers are to be installed on the arm. Please refer to the instructions packed with the covers for installation procedure.

**ARM MAINTENANCE**

Very little maintenance should be required for your PDi Arm to give years of trouble free service if the following lubrication and inspection procedures are followed. Unplug this unit from the wall before cleaning. Do not use liquid cleaners or aerosol cleaners. Use a damp cloth for cleaning.

1. **INSPECTION** – Occasionally check the base pin for any evidence of bending or distortion due to a patient using the ARM for assistance in getting in or out of bed or any other misuses. If the ARM is not mounted with the base pin absolutely vertical, it will have a tendency to drift and will not properly counter balance the television. Be certain that the wall bracket and wall, the arm is mounted to, are level and vertical.
2. **STRUT ADJUSTMENT** – If the ARM shows any tendency to sag under the weight of the TV,
  - a. Contact PDi Service for assistance. Ph: 1-800-628-9870, ext 505
  - b. email: [t1service@pdiarm.com](mailto:t1service@pdiarm.com)
3. **LUBRICATION** – At least once a year, a drop of light machine oil should be put on each pivot point in the nose, elbow, and base as shown. **DO NOT PUT OIL ON THE FRICTION DAMPER PADS!**
4. **REPLACEMENT OF COAX CABLE** – Refer to PD196-384 or Contact PDi Service for assistance
5. **TORQUE ADJUSTMENT OF PIVOT SCREWS** – All screws in the ARM are tightened securely, at the factory and do not require specific checks with a torque wrench. **IF THE THREADS ARE STRIPPED IN THE NOSE, ELBOW, OR BASE, THAT PART NEEDS REPLACEMENT – DISCONTINUE USE IMMEDIATELY.**

