 <b>PDI</b> Communication Systems, Inc. <i>Better Solutions Are Within Reach®</i>	MODEL NUMBER: <b>PD181-840</b>	Document Number: PD196-395R1
	Articulating Mount Plus Adaptor Brackets (200x300mm)	Page 1 of 2

**TOOL LIST:**

1. P1 or P2 Phillips screwdriver
2. Safety glasses/goggles
3. 3/8" socket wrench
4. Level

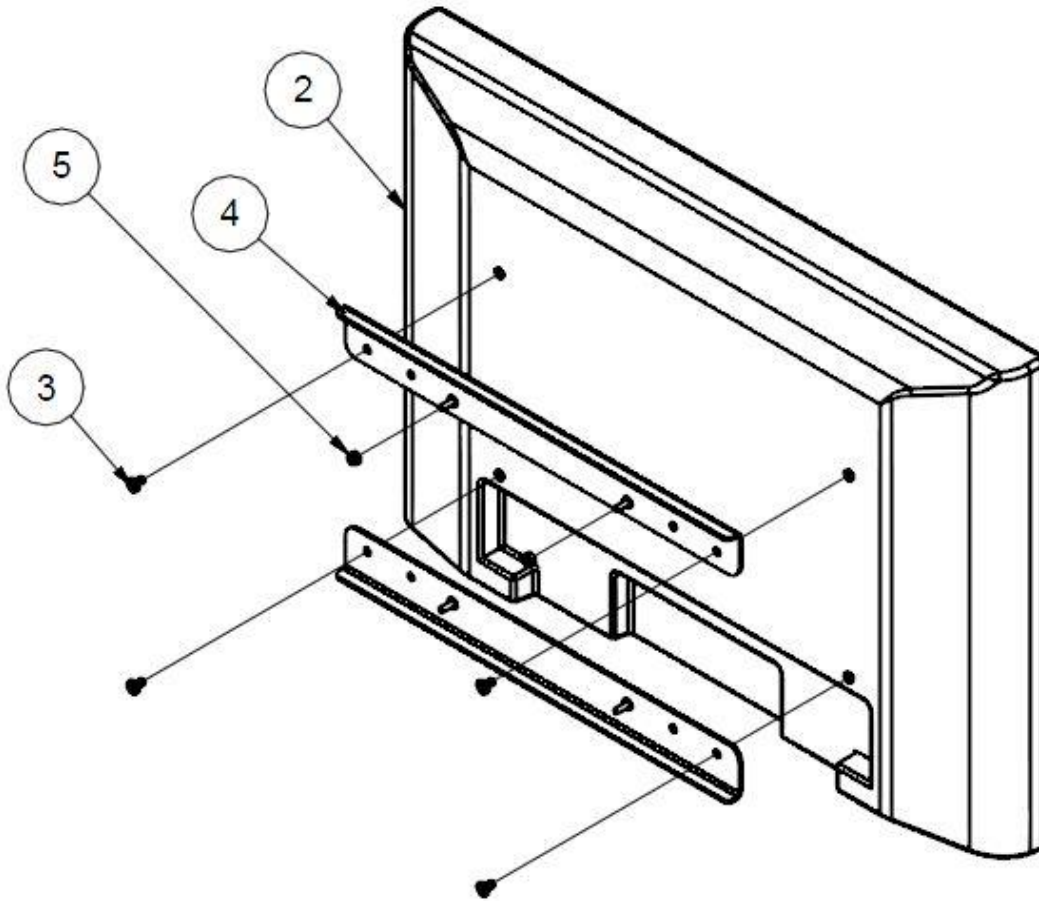
**SAFETY STEPS**

1. Always wear safety glasses/goggles to prevent injury from debris.
2. Follow the installation/removal instructions for your existing products.

**PROCEDURE:**


**STEP 1:**

Attach PD181-839 brackets (#4) to SW55/A55 TV (#2), as shown, using four PDIPPHMSM6x110 screws (#3). Thread two PDINILN1032 nuts (#5) into the studs on the upper PD181-839 bracket (#4). Do not tighten these nuts yet.

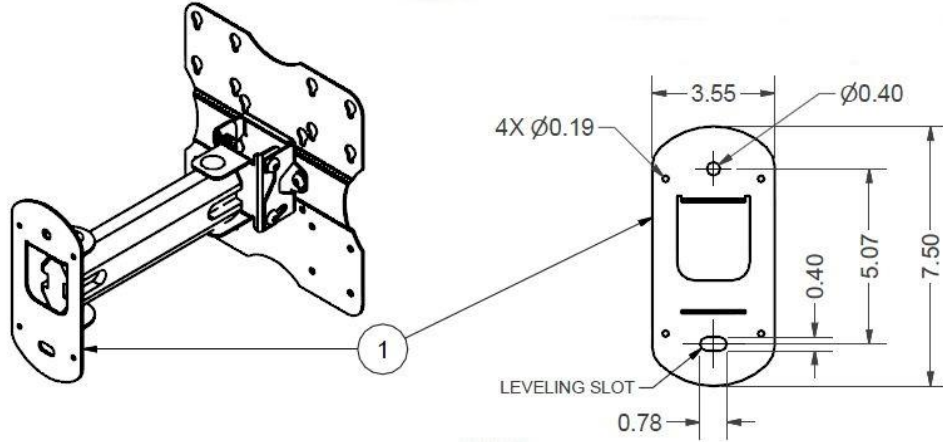


Parts List			
ITEM	QTY	PART NUMBER	DESCRIPTION
1	1	PD181-707	WALL MOUNT FLAT PANEL TV
2	1	SW55/A55	NOT INCLUDED WITH MOUNT
3	4	PDIPPHMSM6X110	M6 X1 10mm PHILLIPS SCREW
4	2	PD181-839	200x300 mm ADAPTOR BRACKET
5	4	PDINILN1032	10-32 NYLOC

**STEP 2:**

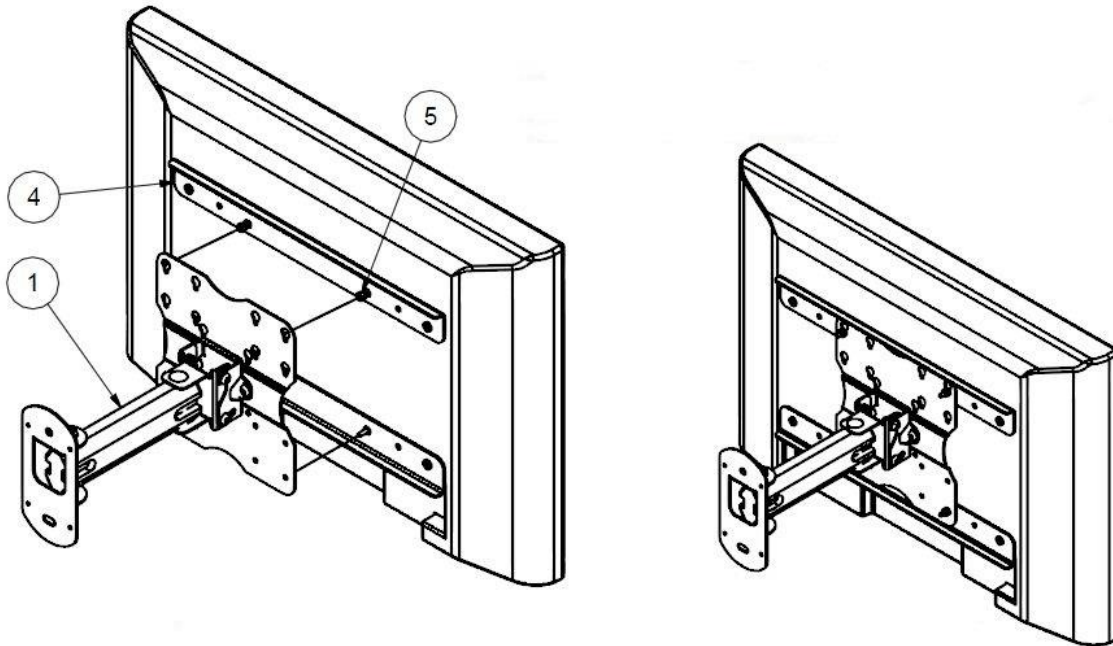
 PDi Communication Systems, Inc. <i>Better Solutions Are Within Reach®</i>	MODEL NUMBER: <b>PD181-840</b>	Document Number: PD196-395R1
	Articulating Mount Plus Adaptor Brackets (200x300mm)	Page 2 of 2

Attach the PD181-707 mount (#1) to the wall using supplied fasteners. Using a level, and the leveling slot, make sure the mount plate is vertical.



**STEP 3:**

Insert PD181-839 (#4) bracket to PD181-707 (#1) mount by carefully aligning PDINILN1032 (#5) nut through the keyhole on the main plate of PD181-707 mount. Finally, tighten PDINILN1032 (#5) nuts on both the top and the bottom adaptor bracket PD181-839 (#4).



Parts List			
ITEM	QTY	PART NUMBER	DESCRIPTION
1	1	PD181-707	WALL MOUNT FLAT PANEL TV
2	1	SW55/A55	NOT INCLUDED WITH MOUNT
3	4	PDIPPHMSM6X110	M6 X1 10mm PHILLIPS SCREW
4	2	PD181-839	200x300 mm ADAPTOR BRACKET
5	4	PDINILN1032	10-32 NYLOC