

	MODEL NUMBER: <b>PD168-051 100mm x 200mm</b>	Document Number: PD196-269R3
	Wall Mount Installation Instructions	Page 1 of 3

**Scope:**

To install the PD168-051 wall mount kit to a PDi ELED television.

**Tool List:**

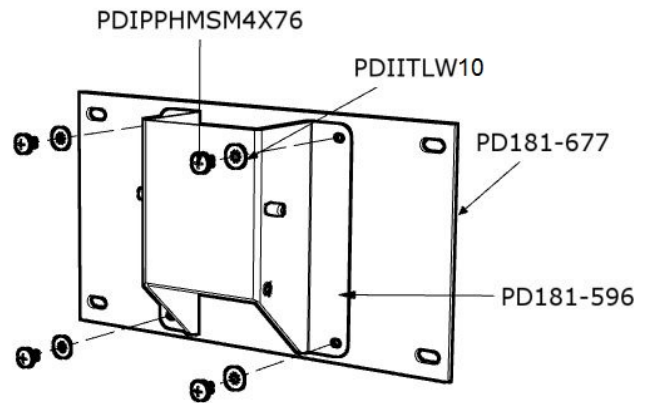
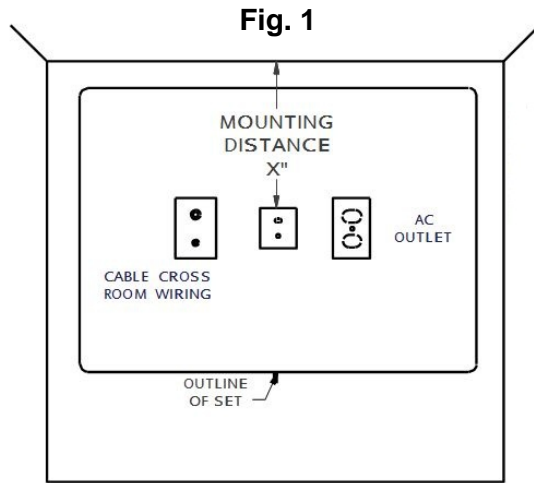
1. Safety glasses/goggles
2. P1 or P2 Phillips screwdriver
3. Level
4. 1/4" hex bit driver

**Safety Steps**

1. Always wear safety glasses/goggles to prevent injury from debris.
2. Follow the installation/removal instructions for existing products.

**Installation Procedure:**

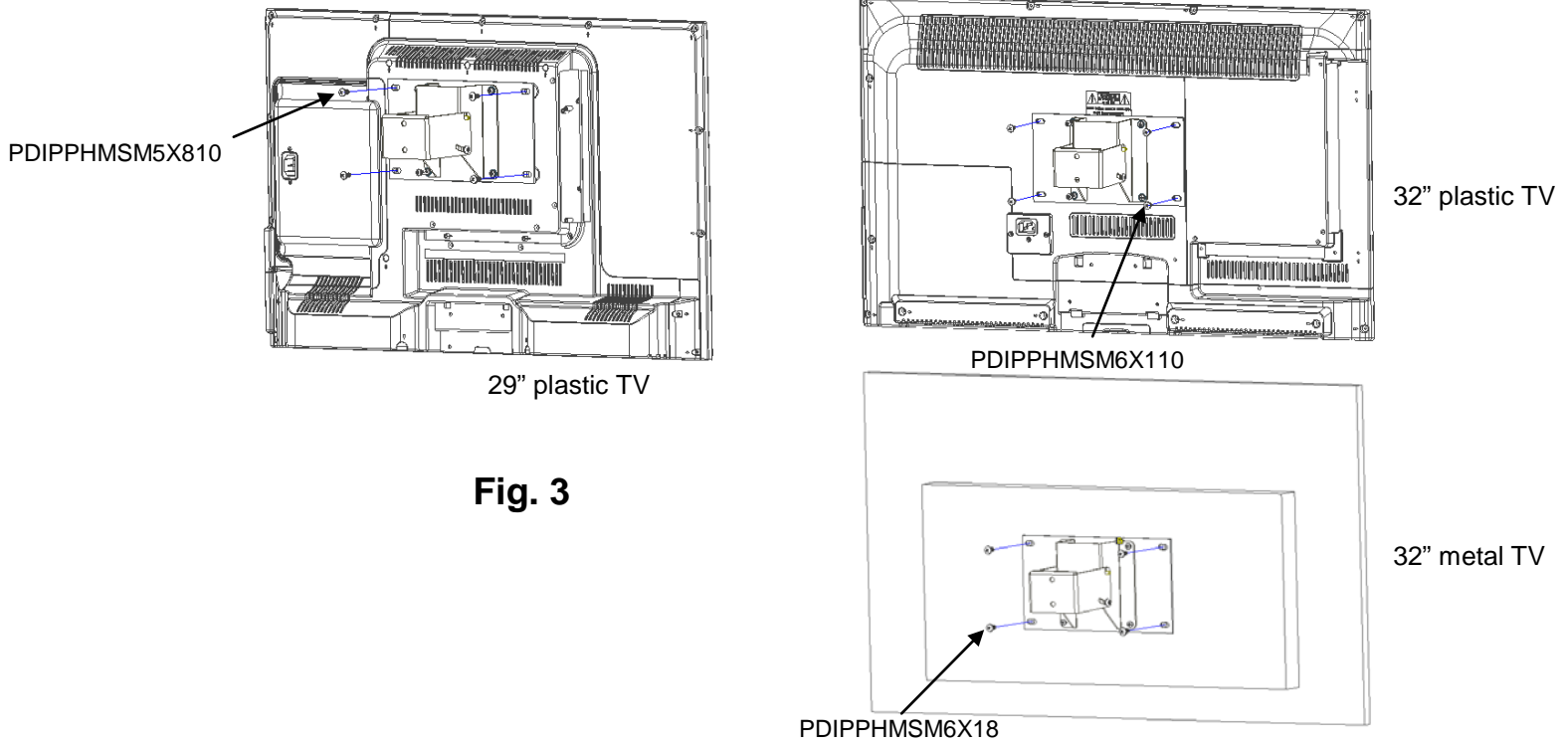
1. Select a location on the wall **approximately 4 inches mounting distance for plastic 29" TV, approximately 7 inches mounting distance for plastic 32" TV, and approximately 9 inches mounting distance for metal 32" TV.** Position PD181-697 bracket, level, and locate two mounting holes. Secure the bracket to the wall (mounting hardware is not included). (Fig. 1)
2. Attach PD181-596 bracket to PD181-677 adapter plate using (4) each PDIPPHMSM4X76 screws and #10 internal tooth lock washers. (Fig. 2)



Parts List		
Qty	Part Number	Description
1	PD181-596	100mm Mounting Bracket to LCD
1	PD181-677	100mm x 200mm Adapter Plate
1	PD181-697	Vertical Wall Mount Bracket
1	PD196-269	Installation Instructions
2	PD218-001	8" ty-wrap
1	PD219-020	Tamper Resistant Hex Bit
2	PDIPPBHSCS103250	Pilfer Proof 10-32 x 1/2 Button Head Socket Screw
4	PDIPPHMSM4X76	M4 x .7 x 6mm Long Phillips Head Screw
4	PDIITLW10	#10 Internal Tooth Lock Washer
4	PDIPPHMSM5X810	M5 x .8 x 10mm Long Phillips Head Screw
4	PDIPPHMSM6X110	M6 x 1 x 10mm Long Phillips Head Screw
4	PDIPPHMSM6X18	M6 x 1 x 8mm Long Phillips Head Screw
4	PDFW10	#10 Flat Washer
4	PDIPPHMSM4710	M4 x .7 x 10mm Long Phillips Head Screw

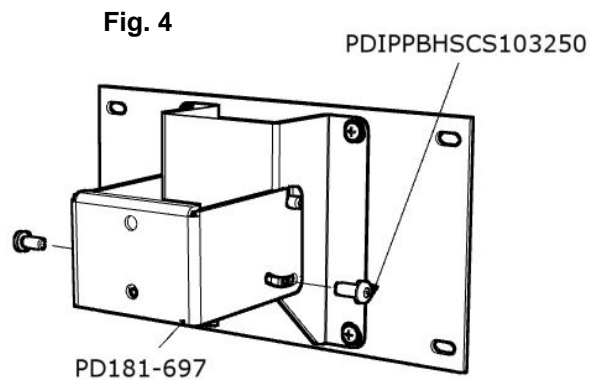
The PDFW10 AND PDIPPHMSM4710 washers and screws are included to be used if this adapter plate is being paired with a TV that requires M4 mounting screws.

3. Secure PD181-677 adapter plate to TV using:
  - (4) PDIPPHMSM5X810 screws for 29" TV or
  - (4) PDIPPHMSM6X110 screws for 32" plastic or
  - (4) PDIPPHMSM6X18 screw for 32" metal TV
 (Fig. 3)




**Fig. 3**

4. Mate the PD181-596 mounting bracket to PD181-697 bracket on wall using (2) PDIPPBHSCS103250 pilfer proof button head socket screws. Make sure the pivot bolts are retained in the "L" shaped slot (Fig. 4)



**Fig. 4**

 PDi Communication Systems, Inc. <i>Better Solutions Are Within Reach®</i>	MODEL NUMBER: <b>PD168-051 100mm x 200mm</b>	Document Number: PD196-269R3
	Wall Mount Installation Instructions	Page 3 of 3

5. The TV's tilt can be adjusted by loosening both Pilfer Screws, adjusting tilt, and then tightening.

