
	This symbol indicates that dangerous voltage constituting a risk of electric shock is present within this unit.
	This symbol indicates that there are important operating and maintenance instructions in the literature accompanying this unit.


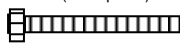

	CAUTION RISK OF ELECTRIC SHOCK, DO NOT OPEN!	
CAUTION: TO REDUCE THE RISK OF ELECTRIC SHOCK, DO NOT REMOVE COVER. NO USER SERVICEABLE PARTS INSIDE. REFER SERVICING TO QUALIFIED SERVICE PERSONNEL		

THIS INSTALLATION SHOULD BE MADE BY A QUALIFIED SERVICE PERSON AND SHOULD CONFORM TO ALL LOCAL CODES. READ AND FOLLOW THE SAFETY INSTRUCTIONS BEFORE ATTEMPTING THIS INSTALLATION.

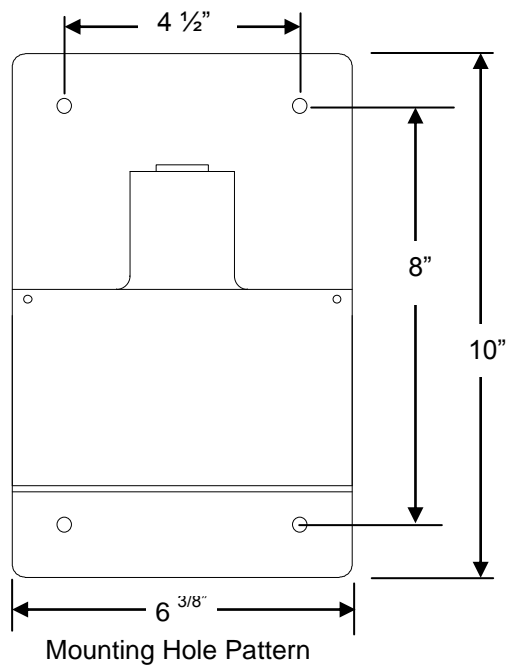
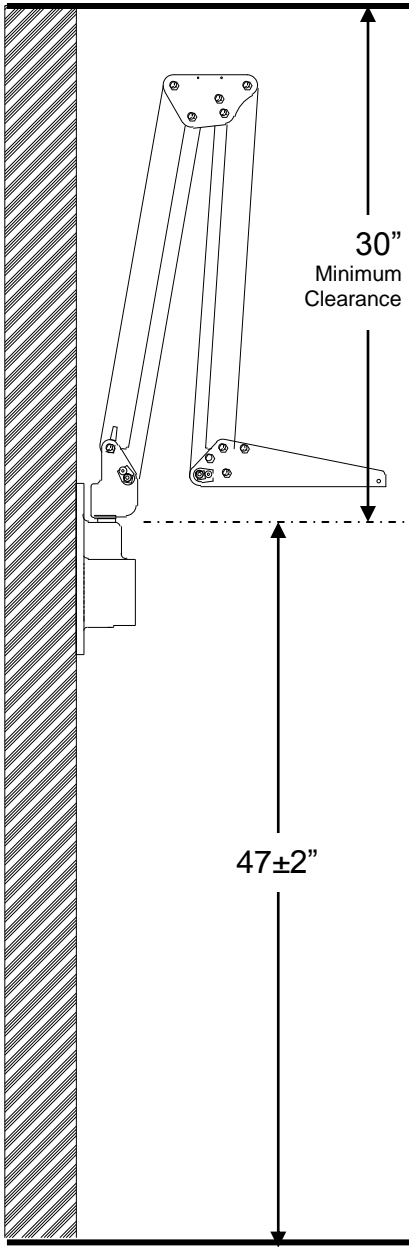
NOTE to CATV system installer: This reminder is provided to call the CATV system installer's attention to Article 820-40 of the NEC that provides guidelines for proper grounding and, in particular, specifies that the cable shall be connected to the grounding system of the building, as close to the point of cable entry as practical.

GUIDELINES

- A. **LOCATION** – Make certain that the CATV jack is near enough to the wall bracket so the "RF IN" cable can be connected to it. Also position the wall bracket near an AC wall outlet at a mounting height of 47±2 inches. See Figure 1.
- B. **WALL STRENGTH** – The wall bracket mounting instruction cover the most desirable mounting method, back-to-back bracket mounting, plus some other recommended methods depending upon wall construction. **IN ALL CASES** the wall construction must be able to support a minimum loading of **350 PSI** applied perpendicular to the mounting hole locations by compression or tension. Some wall construction may require internal bracing to accept the minimum loading required.
- C. **HARDWARE REQUIREMENTS** – Mounting fasteners are NOT supplied with the wall bracket. Finishing Cap Covers and Cap Washers are supplied.

PDI-271 Cap Cover	Customer Supplied Fastener (4 Required)	PDI-272 Cap Washer
		

 1. All threaded rods, bolts or machine screws will be ¼"-20UNC-2A thread or equivalent.
 2. The back-up plate is a 6-1/2" x 10", 11 gauge metal plate, with four 9/32" holes that coincide with the wall bracket. A pre-fabricated backing plate, PDI-218, is available directly from PDI.
 3. All threaded rods will be finished off with an acorn nut.
 4. All Fastener heads to be covered with PDI-271 Cap and PDI-272 Washer.
- D. **TOTAL WEIGHT** of the PDI-P15LCD receiver and support arm system is approximately 38 lbs.



Mounting Height
 Figure 1.

BACK-TO-BACK MOUNTING

Refer to Figure 2.

1. Position the mount so the bolt pattern straddles an interior wall stud and is near an antenna CATV jack and AC wall outlet. Adjust the mounting height to a distance of 47 ± 2 " from the floor to top of pivot hole as shown in figure 1. It is also important that the mounting location be approximately 15" from the patient's bed. Please note also that the suspension arm requires a minimum clearance distance of 30" from ceiling to the top of the wall bracket. A check with the contractor/architect or Hospital Engineering Department regarding hidden objects behind the wall should be made before proceeding with this installation and final operation of the arm assembly.
2. Place a spirit level along the top surface of wall mount pivot hole and adjust for a true horizontal position. Then mark the location of the mounting holes.
3. Drill the top holes completely through the wall with $9/32$ " bit.
4. Drill the bottom mounting holes half-way through the wall and complete the holes from the opposite side. NOTE: All holes must be drilled perpendicular to the wall so that they are spaced 4-1/2" on horizontal centers and 8" on vertical centers on the opposite side of the wall.
5. Place a hex nut $5/16$ " on one end of each $1/4$ " threaded rod through the top mounting holes and through the top wall holes. Hold the wall bracket and rods in place and have an assistant fasten the mounting bracket in the opposite wall through the top holes using hex nuts. Tighten the nuts to a snug fit.
6. Cut the threaded rods $5/16$ " from the outside surface of the hex nut. Install and tighten cap nuts on rods.
7. Insert the additional threaded rods through the bottom mounting holes. Fasten, cut, and finish the rods as previously described in steps 5 and 6.

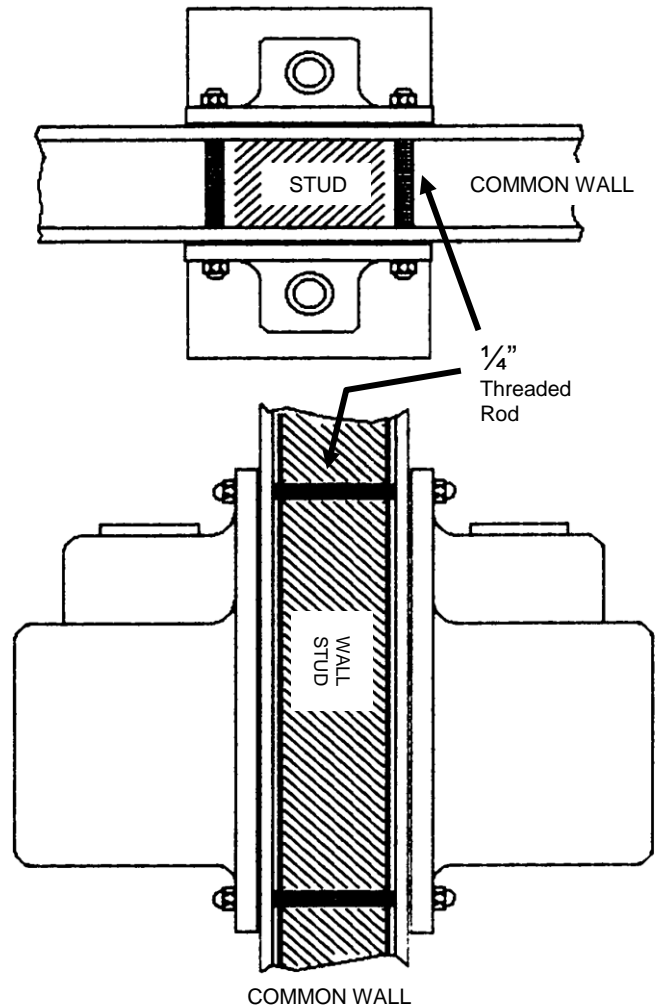


Figure 2.

BACK-UP PLATE MOUNTING

Refer to Figures 3 and 4.

1. Complete the first four steps 1 through 4 as previously describe under "BACK-TO-BACK MOUNTING."
2. Place a hex nut $5/16$ " from one end of threaded rod. Tighten cap nuts on rods so that the nut faces are even. Insert the threaded rods through the top and bottom mounting holes.
3. Hold the rods in place and have an assistant place and secure the back-up plate o the opposite wall using hex nuts. Cut the threaded rods $5/16$ " from the outside surface of the hex nuts. Install and tighten cap nuts on rods.

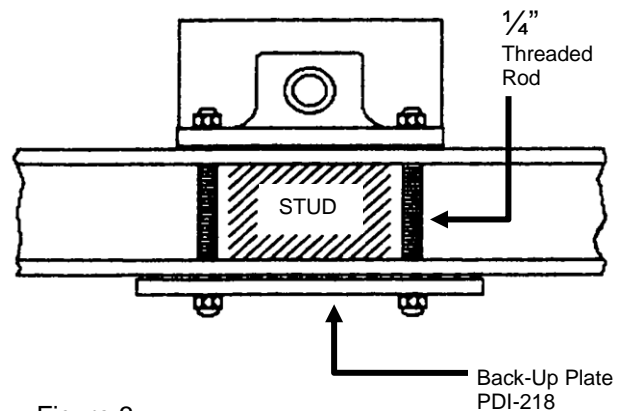
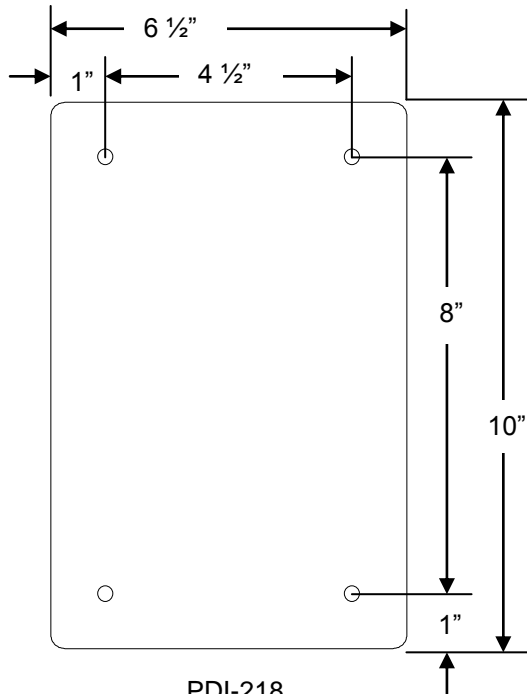


Figure 3.



PDI-218
Back-Up Plate

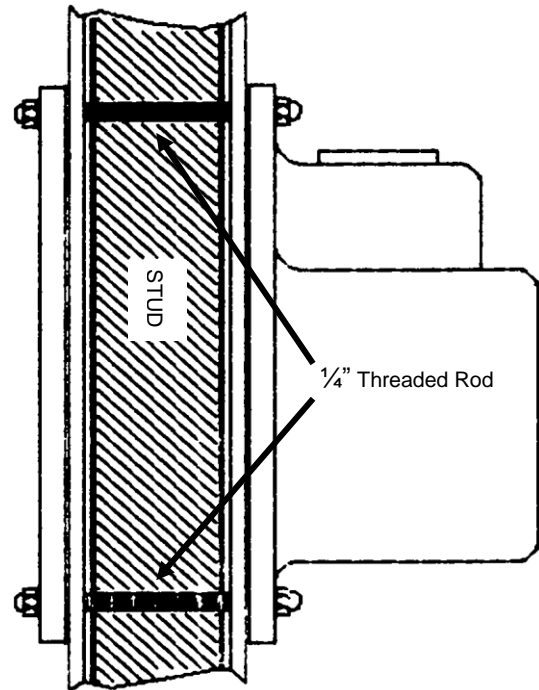


Figure 4.

OTHER MOUNTING METHODS

There are other methods to mount the wall bracket, but the PREFERRED mounting is a back-to-back system or back-up plate system as described. The mounting method used must meet the requirements as described in GENERAL GUIDELINES. The following mounting methods may be used if the previously listed precautions are adhered to.

- SOLID CONTRUCTION WALLS** – Concrete, brick, and some types of cement block, cement expansion anchors can be used.

Special tests should be performed on the wall before installation of the expansion anchors in the area of the bracket mounting location. Proof test the load for the anchors to 1600 inch-pounds in tension.

It is the responsibility of the architect and/or structural engineer, in general responsible charge of the project, to sign and submit the necessary calculations that show the adequacy of the wall where the TV arm and mounting bracket will be installed. Drill four, 3/8" diameter holes that correspond to the wall bracket mounting bolt pattern to a minimum depth of 2 1/2". Install four 3/8" x 2 1/2" HILTI KWIK BOLT cement anchors. Position the wall bracket over the exposed mounting holes. Thread bolt and washer through bracket and into hole. Tighten all bolts.

- FABRICATED BACKING PLATE** – A fabricated plate is used that holds welded-on or pressed-in studs. The studs (1/4"-20UNC-2A) would be located on hole centers that coincide with the wall bracket. The plate is then secured to the wall studs. A prefabricated plate PDI-254I or PDI-254I-24 is available from PDI see figure 5. An external plate is also available. Consult the backing plate instructions packed with each plate for installation details.

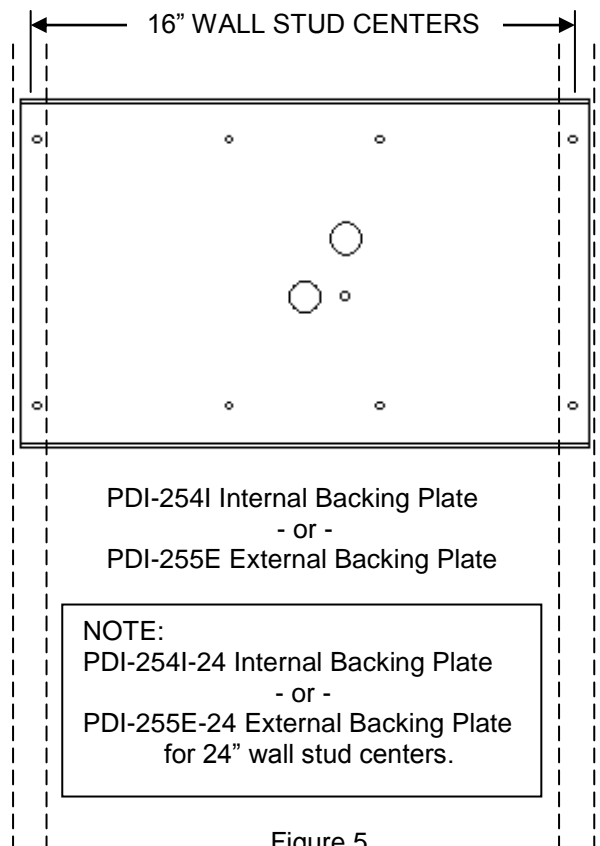


Figure 5.

OPERATION & SAFETY INSTRUCTIONS

REFER TO FIGURE 6.

1. Attach TV Power Cable from the support arm to the Wall Bracket Power Supply's PowerOutput port.
2. Attach coaxial cable from the arm to a hospital CATV signal source. Wrench tighten.
3. Plug in line cord to 120 VAC outlet.

IMPORTANT SAFETY INSTRUCTIONS

Save these instructions for future reference.

Unplug this unit from the wall outlet before cleaning. Do not use liquid cleaners or aerosol cleaners. Use a damp cloth for cleaning.

This unit does not require periodic maintenance other than cleaning.



WARNING: TO REDUCE RISK OF FIRE OR ELECTRIC SHOCK, DO NOT EXPOSE THIS POWER SUPPLY TO RAIN OR MOISTURE.



THIS SUPPLY FOR USE ONLY WITH UL LISTED TV RECEIVER MARKED TO INDICATE USE WITH THIS POWER SUPPLY.



CAUTION: TO REDUCE THE RISK OF ELECTRIC SHOCK, DO NOT REMOVE COVER. NO USER SERVICEABLE PARTS INSIDE. REFER SERVICING TO QUALIFIED SERVICE PERSONNEL.

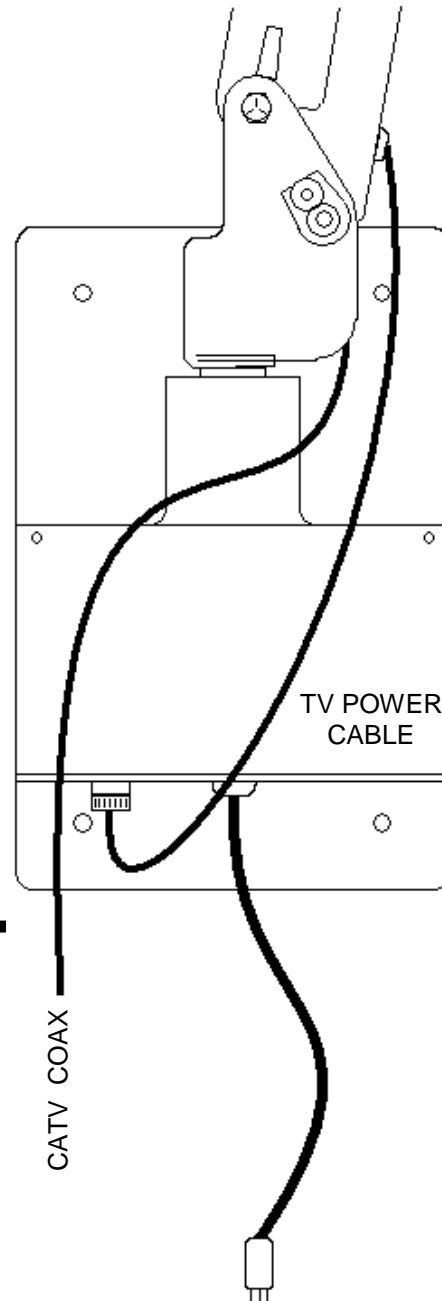


Figure 6.

ACCESSORIES

PDI-244	ARM ROTATIONAL STOP KIT - SINGLE
PDI-244D	ARM ROTATIONAL STOP KIT - DUAL
PDI-254I	INTERNAL MOUNTING PLATE FOR 16" O.C. WALL STUDS
PDI-255E	EXTERNAL MOUNTING PLATE FOR 16" O.C. WALL STUDS
PDI-254I-24	INTERNAL MOUNTING PLATE FOR 24" ON CENTER WALL STUDS
PDI-255E-24	EXTERNAL MOUNTING PLATE FOR 24" ON CENTER WALL STUDS