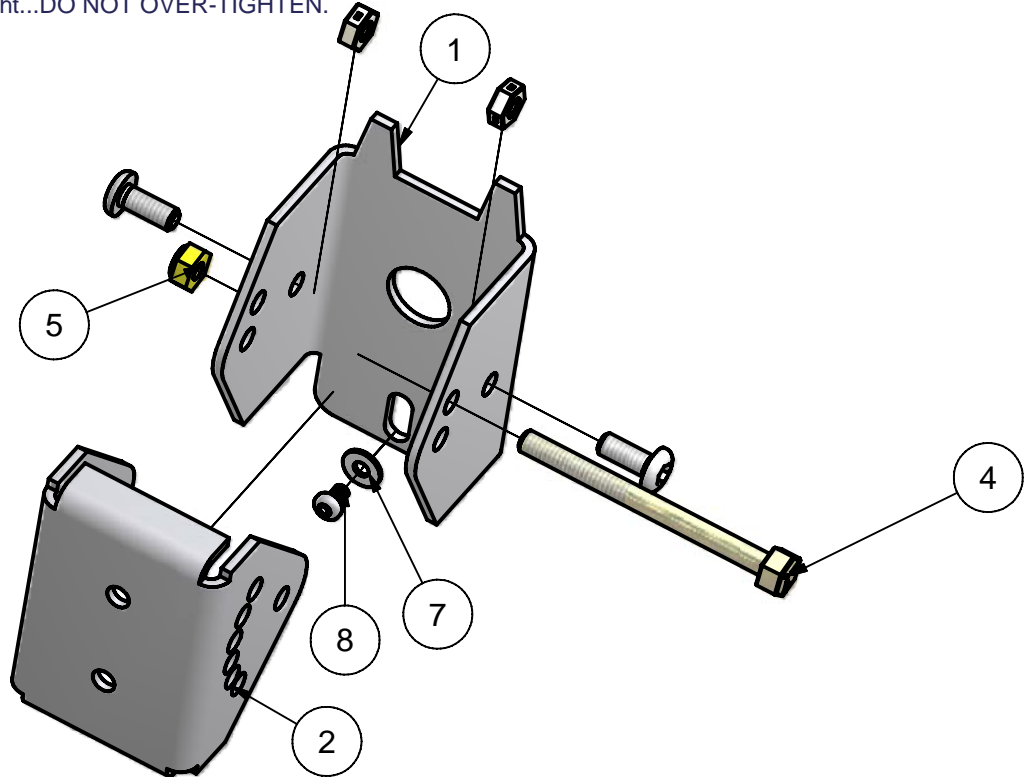


INSTALLATION INSTRUCTIONS:

Tools: T20 torx bit (screw 8), 7/16 wrench/socket (bolt 4 & nut 5)

1. Remove nut 5 & bolt 4 from bracket.
2. Mount bracket to wall with fasteners of choice.
  - a. When securing to the wall use the large hole on part 1 as a tool entry point.
3. Position part 1 at an angle of choice.
4. Reinsert Bolt 4, back in the same hole (all the way thru both parts).
5. Reattach nut 5 & Tighten down.
6. Place the TV onto the bracket.
7. Secure screw 8 & washer 7 thru the slot and into the backplate of the TV.
  - a. Make sure screw 8 is finger tight...DO NOT OVER-TIGHTEN.



PRONGS FACE UP & MOUNT TO TV BACKPLATE

SCREWDRIVER GOES THRU THIS HOLE FOR WALL MOUNTING

Ø0.27

Ø0.27

THIS SIDE MOUNTS TO WALL

