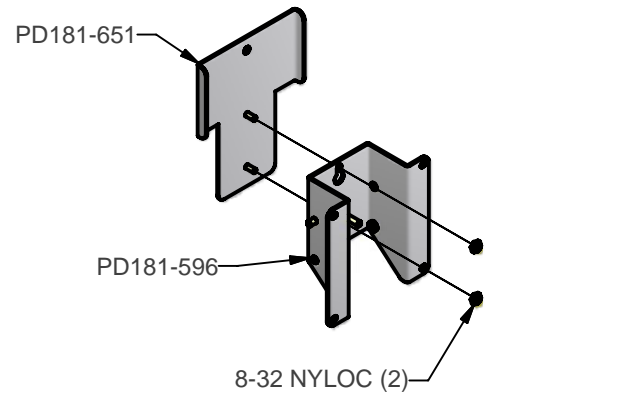


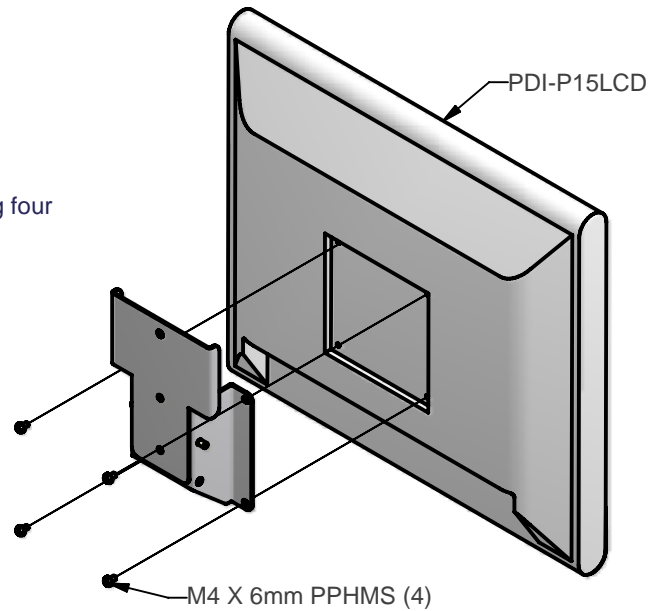
STEP 1:

Attach two 8-32 Nylock nuts to the studs on the PD181-651. Tighten the two nuts to secure the PD181-651 to the PD181-596 bracket that comes with the LCD TV.



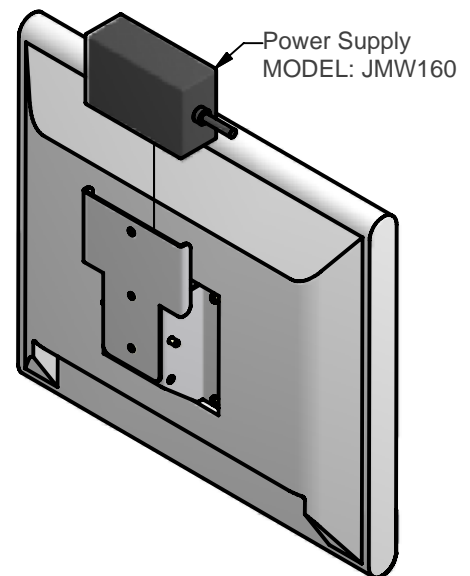
STEP 2:

Attach the PD181-596 to the VESA pattern on the rear of the TV, using four M4 x 6mm phillips pan head machine screws.



STEP 3:

Install the power supply "brick" with label towards the back of the TV. The "brick" can be flipped to the left or right for the best positioning of the A/C power cord.



STEP 4:

Follow remaining installation instructions supplied with TV.