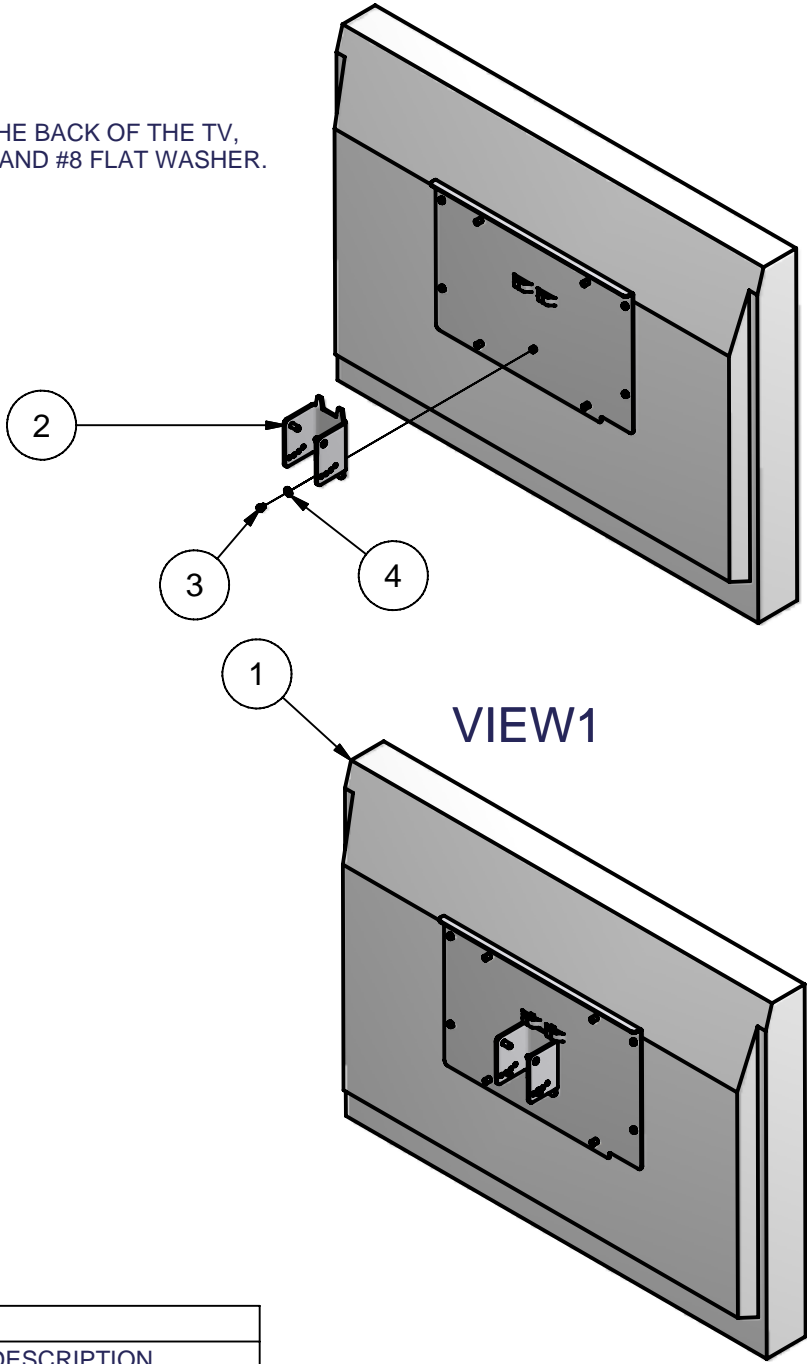


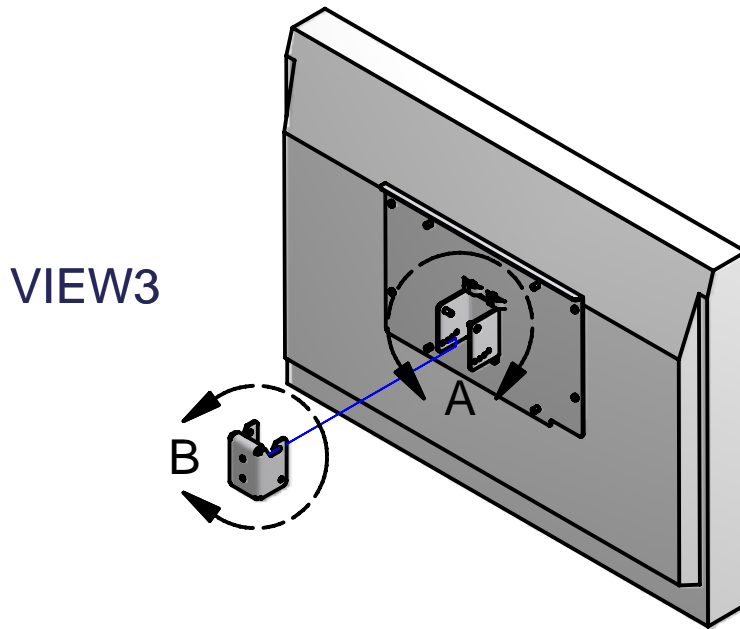
**STEP 1:**

ATTACH THE PD181-650 BRACKET TO THE BACK OF THE TV, USING THE SUPPLIED M4x6mm SCREW AND #8 FLAT WASHER.



Parts List		
ITEM	QTY	DESCRIPTION
1	1	PDI-P32LCD
2	1	PD181-650
3	1	M4x6mm SCREW
4	1	#8 FLAT WASHER

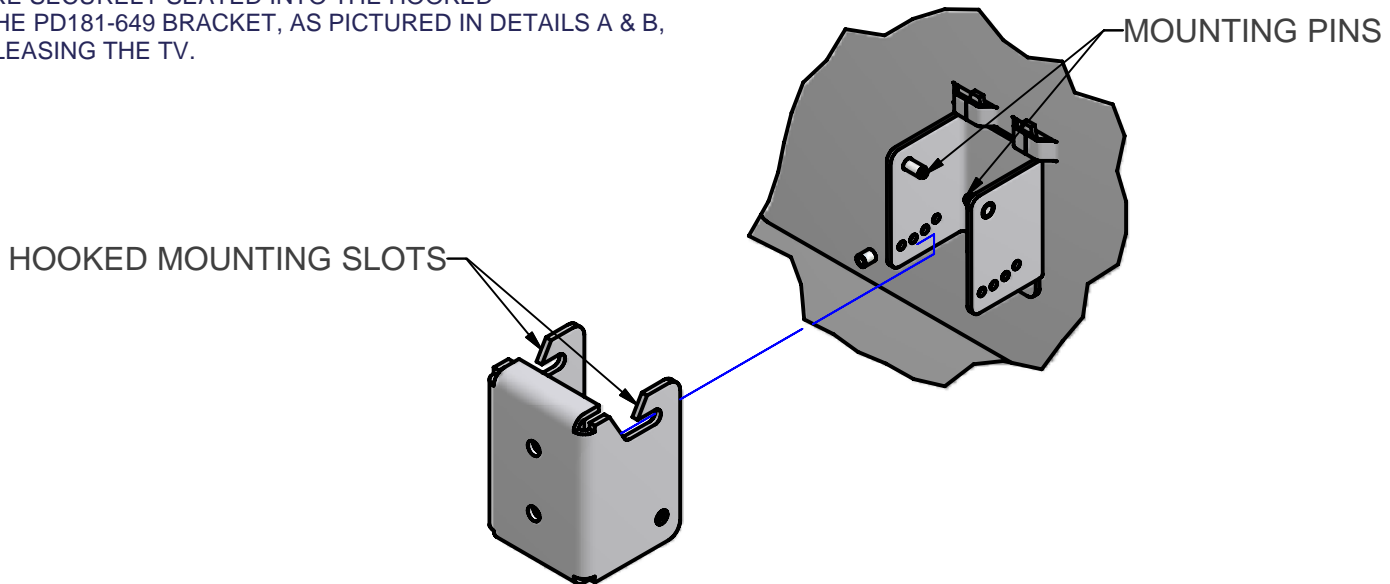
**VIEW2**



**STEP 2:**

INSERT THE WALL MOUNTED PD181-649 BRACKET INTO THE PD181-650 BRACKET ON THE BACK OF THE TV. MAKE SURE THAT THE MOUNTING PINS OF THE PD181-650 BRACKET ARE SECURELY SEATED INTO THE HOOKED SLOTS OF THE PD181-649 BRACKET, AS PICTURED IN DETAILS A & B, BEFORE RELEASING THE TV.

**DETAIL A  
SCALE 1 / 4**

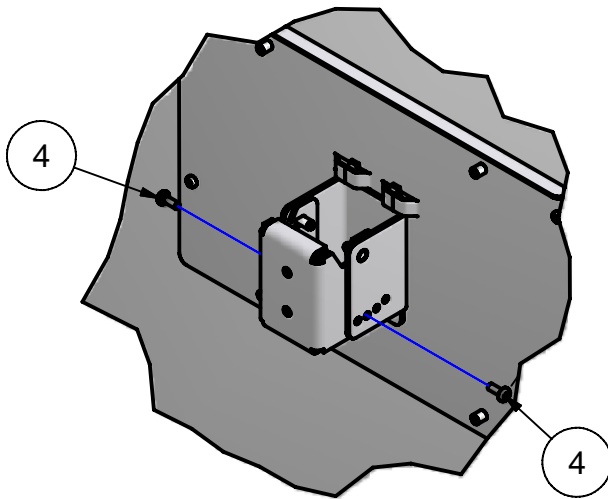


**DETAIL B  
SCALE 1/3**

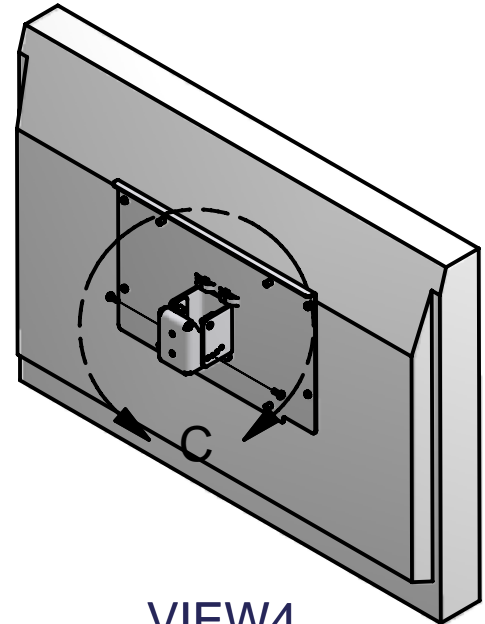
**THE PD181-649 BRACKET IS MOUNTED TO WALL BEFORE INSTALLATION OF TV.**

**STEP 3:**

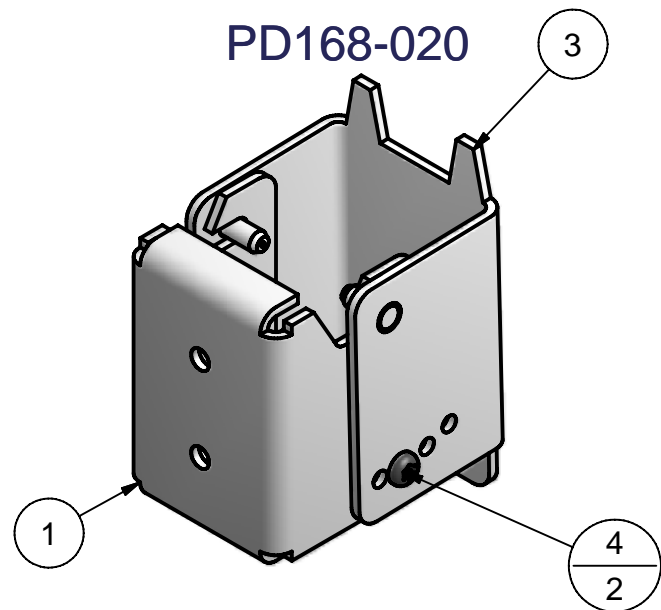
SELECT THE APPROXIMATE DESIRED VIEWING ANGLE FOR THE TV. INSTALL THE SUPPLIED PILFER RESISTANT SCREWS INTO THE ADJUSTING HOLES THAT PROVIDE THE CLOSEST MATCH TO THE DESIRE VIEWING ANGLE, AS PICTURED IN DETAIL C. TIGHTEN SCREWS WITH PROVIDED TOOL, BEING CAREFUL NOT TO OVERTIGHTEN THE FASTENERS.



**DETAIL C**  
**SCALE 1 / 5**



**VIEW4**



Parts List			
ITEM	QTY	PART NUMBER	DESCRIPTION
1	1	PD181-649	P32LCD MOUNT
3	1	PD181-650	P32LCD MOUNT
4	2	PDIPBHSCS1032 50	10-32 X 1/2 PILFER PROOF PIH BUTTON HEAD