

	This symbol indicates that dangerous voltage constituting a risk of electric shock is present within this unit.
	This symbol indicates that there are important operating and maintenance instructions in the literature accompanying this unit.

	CAUTION RISK OF ELECTRIC SHOCK, DO NOT OPEN!	
CAUTION: TO REDUCE THE RISK OF ELECTRIC SHOCK, DO NOT REMOVE COVER. NO USER SERVICEABLE PARTS INSIDE. REFER SERVICING TO QUALIFIED SERVICE PERSONNEL		

THIS INSTALLATION SHOULD BE MADE BY A QUALIFIED SERVICE PERSON AND SHOULD CONFORM TO ALL LOCAL CODES. READ AND FOLLOW THE SAFETY INSTRUCTIONS BEFORE ATTEMPTING THIS INSTALLATION.

Note to CATV installer. This reminder is provided to call the CATV system installer's attention to Article 820-40 of the NEC that provides guidelines for proper grounding and, in particular, specifies that the cable ground shall be connected to the grounding system of the building, as close to the point of cable entry into the room as practical.

 **WARNING: OXYGEN ENVIRONMENT** DO NOT use in an oxygen tent or oxygen chamber. Such use may cause a fire hazard.

WARNING: To avoid the hazards of fire or electric shock, DO NOT expose this TV to rain or moisture.

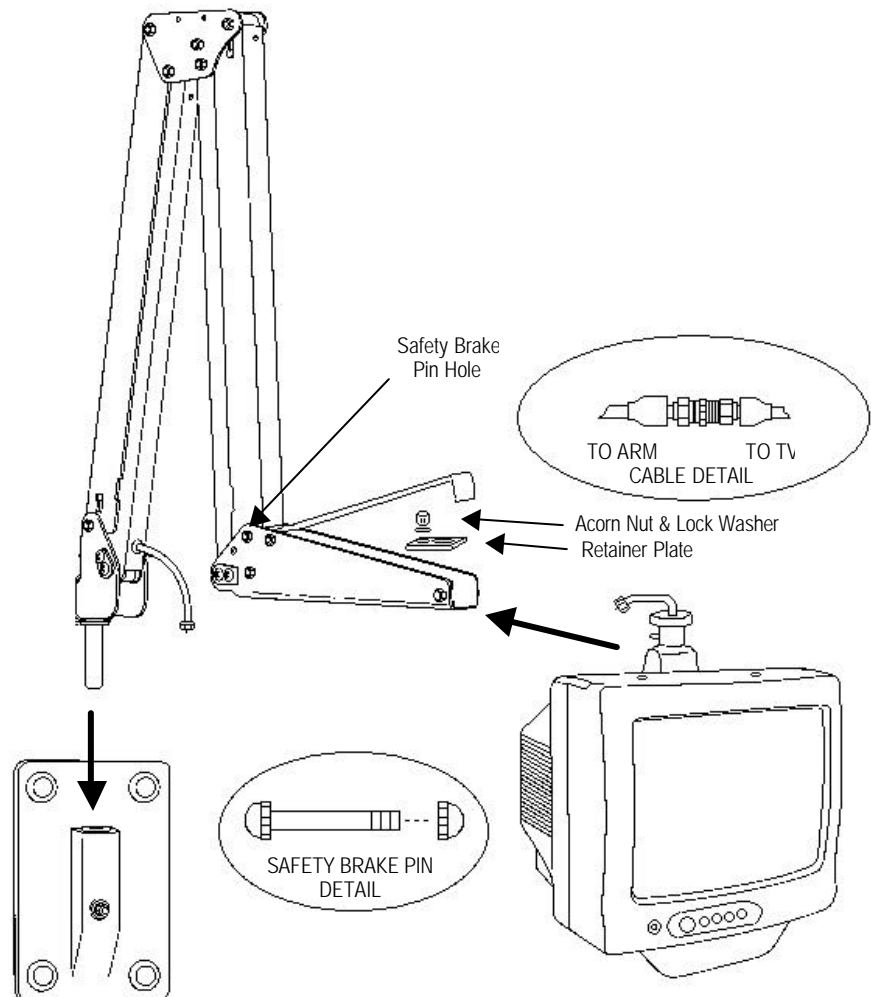


DANGER: ARM RECOIL HAZARD The safety brake pin must remain in the SAFETY BRAKE PIN HOLE whenever the television set is removed from the arm or when the arm is removed from the wall bracket to prevent the arm from springing open.

INSTALL TV ON ARM

This TV is designed to mount on a model PDI-405 suspension arm. Due to the TV's weight and size, mounting on any other arm is NOT recommended.

- Place the arm's base pin into the wall bracket.
- Open the nose cover and remove the retainer plate.
- Insert the TV swivel completely in the clevis. Reinstall the retainer plate. Replace the lock washer and nut, and tighten with a wrench.
- The cable from the arm should be joined with the television cable, wrench tightened, and the connection covered by sliding the plastic boot sections into mating position.
- Position the cover in the front and line up the cover pin holes. Remove the safety brake pin from the parking brake hole and place it in the cover pin hole. Tighten nut on safety brake pin.
- Connect the coaxial cable at the base of the arm to the wall bracket "F" fitting. Wrench tighten.
- This Television for use only with UL listed power supply made to indicate use with this television.



IMPORTANT SAFETY INSTRUCTIONS

1. **Read Instructions** – Read all of the safety and operating instructions before you operate this television.
2. **Keep Instructions** – Keep the safety and operating instructions for future reference.
3. **Heed Warnings** – Adhere to all warnings on the appliance and in the operating instructions.
4. **Follow Instructions** – Follow all operating and use instructions.
5. **Cleaning and Disinfecting** – Unplug this TV from the wall outlet before cleaning. Do not use liquid cleaners or aerosol cleaners. Use a damp cloth for cleaning. Do not immerse this TV in water. **Exception:** A product that is meant for uninterrupted service and for some specific reason, such as the possibility of the loss of an authorization code for a cable TV converter, is not intended to be unplugged by the user for cleaning or any other purpose, may exclude the reference to unplugging the appliance in item 5.
6. **Attachments** – Do not use attachments not recommended by the TV manufacturer. They may be hazardous.
7. **Water and Moisture** – Do not use this TV near water – for example, near a bathtub, washbowl, kitchen sink, or laundry tub, in a wet basement, or near a swimming pool, etc. Do not use this TV outdoors.
8. **Accessories** – Do not place this TV on a cart, stand, tripod, bracket, or table. The TV may fall, causing serious injury to a child or adult and serious damage to the appliance. Use this TV only with a mount recommended by the manufacturer, or sold with the TV. Any mounting of the appliance should follow the manufacturer's instructions and should use a mounting accessory recommended by the manufacturer.
9. **Ventilation** – Slots and openings in the cabinet are provided for ventilation, to ensure reliable operation of the TV, and to protect it from overheating. Do not block or cover these openings. Do not block the openings by placing the TV on a bed, sofa, rug, or other similar surface. Do not place this TV near or over a radiator or heat register. Do not place this TV in a built-in installation such as a bookcase or rack.
10. **Power Sources** – Operate this TV only from the type of power source indicated on the marking label. If you are not sure of the type of power supplied to your health care facility, consult your television dealer, facility maintenance, or local power company.
11. **Grounding** – This TV incorporates a three-wire grounding-type plug, a plug having a third (grounding) pin. This plug will only fit into a grounding-type power outlet. This is a safety feature. If you are unable to insert the plug into the outlet, contact your electrician to replace your obsolete outlet. Do not defeat the safety purpose of the grounding-type plug.
12. **Power Cord Protection** – Route power supply cords so that they are not likely to be walked on or pinched by items placed upon or against them, paying particular attention to cords at plugs, convenience receptacles, and the point where they exit from the appliance.
13. **Outdoor Antenna Grounding** – If you connect an outside antenna or cable system to the TV, be sure the antenna or cable system is grounded so as to provide some protection against voltage surges and built-up static charges. Section 810 of the National Electrical Code, ANSI/NFPA No. 70, provides information with respect to proper grounding of the mast and supporting structure, grounding of the lead-in wire to an antenna discharge unit, size of grounding conductors, location of antenna discharge unit, connection to grounding electrodes, and requirements for the grounding electrode. (See Figure 1.)
14. **Lightning** – For added protection during a lightning storm, or when it is left unattended and unused for long periods of time, unplug it from the wall outlet and disconnect the antenna or cable system. This will prevent damage to the TV due to lightning and power-line surges.
15. **Power Lines** – Do not locate an outside antenna system near overhead power lines or other electric light or power circuit or where it can fall into such lines or circuits.
16. **Overloading** – Do not overload wall outlets and extension cords as they can result in a risk of fire or electric shock.
17. **Object and Liquid Entry** – Never push objects of any kind into this TV through openings as they may touch dangerous voltage points or short out parts, resulting in a fire or electric shock. Never spill liquid of any kind on the TV.
18. **Servicing** – Do not attempt to service this TV yourself as opening or removing covers may expose you to dangerous voltage or other hazards. Refer all servicing to qualified service personnel.
19. **Damage Requiring Service** - Unplug this TV from the wall outlet and refer servicing to qualified service personnel under the following conditions:
 - a. When the power-supply cord or plug is damaged or cut.
 - b. If liquid spills or objects fall into the TV.
 - c. If the TV is exposed to rain or water.
 - d. If the TV does not operate normally by following the operating instructions. Adjust only those controls that are covered by the operating instructions. An improper adjustment of other controls may result in damage and will often require extensive work by a qualified technician to restore the TV to its normal operation.
 - e. If the TV is dropped or the cabinet is damaged.
 - f. When the TV exhibits a distinct change in performance, this indicates a need for service.
20. **Replacement Parts** – When replacement parts are required, be sure the service technician uses replacement parts specified by the manufacturer or which have the same characteristics as the original part. Unauthorized substitutions may result in fire, electric shock or other hazards.
21. **Safety Check** – Upon completion of any service or repairs to this TV, ask the service technician to perform safety checks to determine that the TV is in proper operating condition.
22. **Wall or Ceiling Mounting** – This TV should be mounted to a wall or ceiling only as recommended by the manufacturer.
23. **Periodic Maintenance** – This TV does not require periodic maintenance other than cleaning.

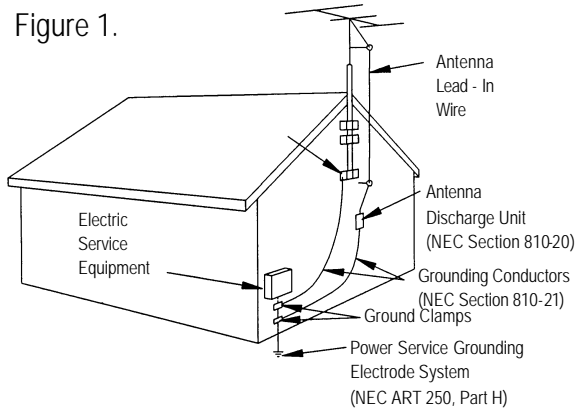


Figure 1.
NEC - NATIONAL ELECTRICAL CODE
S2892A

PROGRAM THE TV

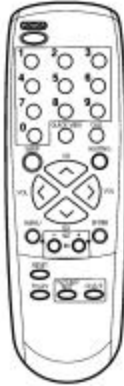
NOTE: When shipped from the factory, the TV/CATV menu option is set to the "CATV" (Cable Television) mode. If not using CATV, set this menu option to "TV" mode.

PROGRAMMING REMOTE

The TV is program-
med using the
IR remote
PD108-206-13B.

Install two "AAA"
batteries before use.

Programming buttons
menu, **set -**, **set +**,
and **enter** are used
to perform all TV
programming.



TV/CATV SELECTION

Using the remote control.

1. Press the MENU button.
2. Press the SET + or – button until the indicator next to "CH SET" begins to flash, then press the ENTER button.
3. Press the SET + or – button until the indicator next to "TV/CATV" begins to flash.
4. Press the ENTER button to select the TV or CATV mode. The arrow indicates the selected mode.
5. Press the MENU button twice to return to normal TV viewing.

AUTOMATIC CHANNEL MEMORY

Using the remote control.

1. Press the MENU button.
2. Press the SET+ or – button until the indicator next to "CH SET" begins to flash, then press the ENTER button.
3. Press the SET + or – button until the indicator next to "AUTO CH MEMORY" begins to flash, then press the ENTER button. The TV will begin memorizing all the channels available.
4. Press the MENU button twice to return to normal TV viewing.

ADJUSTING PICTURE

Using the remote control.

1. Press the MENU button.
2. Press the SET + or – button until the indicator next to "PICTURE" begins to flash, then press the ENTER button.
3. Press the ENTER button repeatedly to select the item you want to adjust.
4. Press the SET + or – button to adjust the setting.
5. To return to initial settings press the RESET button while the picture adjusting mode appears on-screen.

TO ADD/DELETE CHANNELS

Using the remote control.

1. Press the MENU button.
2. Press the SET + or – button until the indicator next to "CH SET" begins to flash, then press the ENTER button. Press the SET + or – button until the indicator next to "ADD/DELETE" begins to flash, then press the ENTER button.
3. Select the desired channels to be added or deleted using the CH ? or ? button or the SET + or – button.
4. Press the ENTER button to alternately ADD or DELETE. The channel indicator will change colors. Red indicates a deleted channel and Green a memorized channel.
5. Press the MENU button three times after adding or deleting the desired channels, to return to normal TV viewing.

CLOSED CAPTIONING

Closed Captioning will display text on screen for hearing impaired viewers. Closed Captions are accessed using the IR remote control only.

Press the TV/CAP/TEXT button on the remote control to switch between normal TV and the two Closed Caption modes (captions and ½ of full screen text).

V-CHIP OPERATION

This TV is fitted with a V-CHIP which provides censored viewing and control access. The IR remote control is necessary to enter the password.

ENABLE V-CHIP

1. Press the MENU button and press the SET+ or – button to select the V-CHIP SET option, then press the ENTER button.
2. Enter your password (4 digits) using the remote control's number buttons (0-9). In the event of entering incorrect password press the RESET button. Then press the ENTER button.
3. Enter the same password for confirmation, then press the ENTER button.
4. Press the SET + or – button to select the V-CHIP option. Press the ENTER button to select the ON.
5. Press the SET + or – button to select the TV RATING or MOVIE RATING option. Press the ENTER button.
6. Press the SET + or – button to select the desired rating for the applicable video or TV channel. Press the ENTER button.
7. Press the MENU button until the MENU screen is cleared.

WARNING: A blue "PASSWORD" screen appears when a censored program is watched. If the password is not entered, the persistent screen might permanently damage the picture tube leaving a ghost image. For hospital operation, it is recommended that the V-CHIP **NOT** be enabled.

DISABLE V-CHIP

Deletes any stored password and disables the V-CHIP.

1. Turn the TV ON and adjust the volume to absolute minimum.
2. Press both Volume Down button on the set and Channel button (0) on the remote control for more than 1 second.
3. The standard menu screen will appear verifying that the V-Chip is disabled.

TROUBLESHOOTING

TV DEAD

- The TV is powered using an external power supply. Verify 28 VAC is being supplied on the coax.
- Power is OFF, check fuse or circuit breaker on external power supply.
- Coax is not connected. Check all coax connection including those in the nose and base of support arm.

TV SHUTS OFF

- Wrong Cable. Due to long cable runs encountered in hospital installations, coaxial cable employing a solid copper center conductor and copper shield is required. Cable run lengths MUST NOT exceed 150 feet. Required coaxial cable numbers include Alpha 9804C (non-plenum), Belden 9248 (non-plenum), West Penn 806 (non-plenum), or West Penn 25806 (plenum), which have been tested with coax line-powered televisions. USE OF ANY OTHER CABLE NUMBER IS NOT RECOMMENDED.
- Sleep Timer is set.
- Power interrupted.

POOR RECEPTION

- Station or CATV experiencing problems, tune to another station.
- Make sure channels are set into memory.
- Check CATV connections.
- Check for sources of possible interference.

NO RECEPTION

- Check all CATV cable connections.
- Set TV/CATV menu option to CATV mode.

NO RECEPTION ABOVE CHANNEL 13

- Make sure TV/CATV menu option is in the appropriate mode.

ACCESSORIES



PDI-405C-22 PILF Support Arm
PDI-178CP Wall Bracket



PDI-771CA Individual
Wall Bracket Power Supply



PD108-206-13B
Programming Remote

CONTACT INFORMATION

PDI Communication Systems
40 Greenwood Lane
Springboro, Ohio 45066

Phone: 937.743.6010 Fax: 937.743.5664

Engineering: pdi@pdiam.com

Internet: <http://www.pdiam.com>

Sales: sales@pdiam.com

The model PDI-Z13TV WR Series arm mounted television comes equipped with a pillow speaker interface. This model is specifically designed to mount on the PDI-CEILING-MT-WR Ceiling Mount Arm but can also be mounted on the PDI-405 Wall Mounted Suspension Arm.

Supported TV Features

The PDI pillow speaker interface supports both digital or single button pillow speakers.

Digital Pillow Speaker Supported TV Functions

1. Channel Up
2. Channel Down
3. ON/OFF
4. Mute
5. CC (Closed Captions)

Single Button Pillow Speaker Supported TV Functions

1. ON/OFF
2. Channel Up

Multi-Button Non-Digital Pillow Speaker TV Functions

1. NOT SUPPORTED

Compatible Pillow Speakers

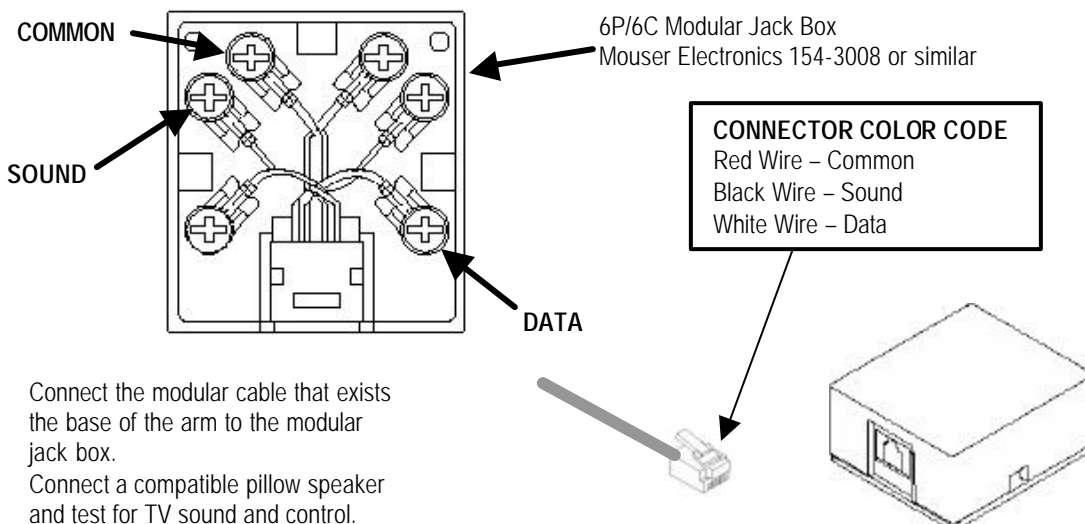
Make	Analog	Digital	Direct Access
Curbell	3103-001	3D0103096000ZM0-001	D0108-A0Z-R0001
MedTek	A1833-087	A1871-085T	A1552-087D A1871-087D
Crest		XL031E0AXXXZ1N1 XL031E1AJ00Z1N1	XL031X0AXXXZ1N1 XL031X1AJ00Z1N1

NOTE: Compatibility of any other model pillow speaker not guaranteed.

Wiring the Pillow Speaker

These instructions assume you have successfully mounted the TV onto the suspension arm.

1. Identify the flat telephone style cable in the arm. Join the cable from the arm with a similar flat cable that exists from the TV's swivel.
2. Mount a 6P/6C modular jack box near the base of the arm.
3. A three-conductor interface cable should be wired between the modular jack box and bedside pillow speaker jack. A pin-out is shown.



4. Connect the modular cable that exists at the base of the arm to the modular jack box.
5. Connect a compatible pillow speaker and test for TV sound and control.

NOTE: A single button pillow speaker operates the TV as follows:

- TV ON – Press the TV button once.
- CHANNEL UP – Press the TV button and release. The TV channels up.
- TV OFF – Press and HOLD down the TV button. The TV briefly channels up and then shuts off.