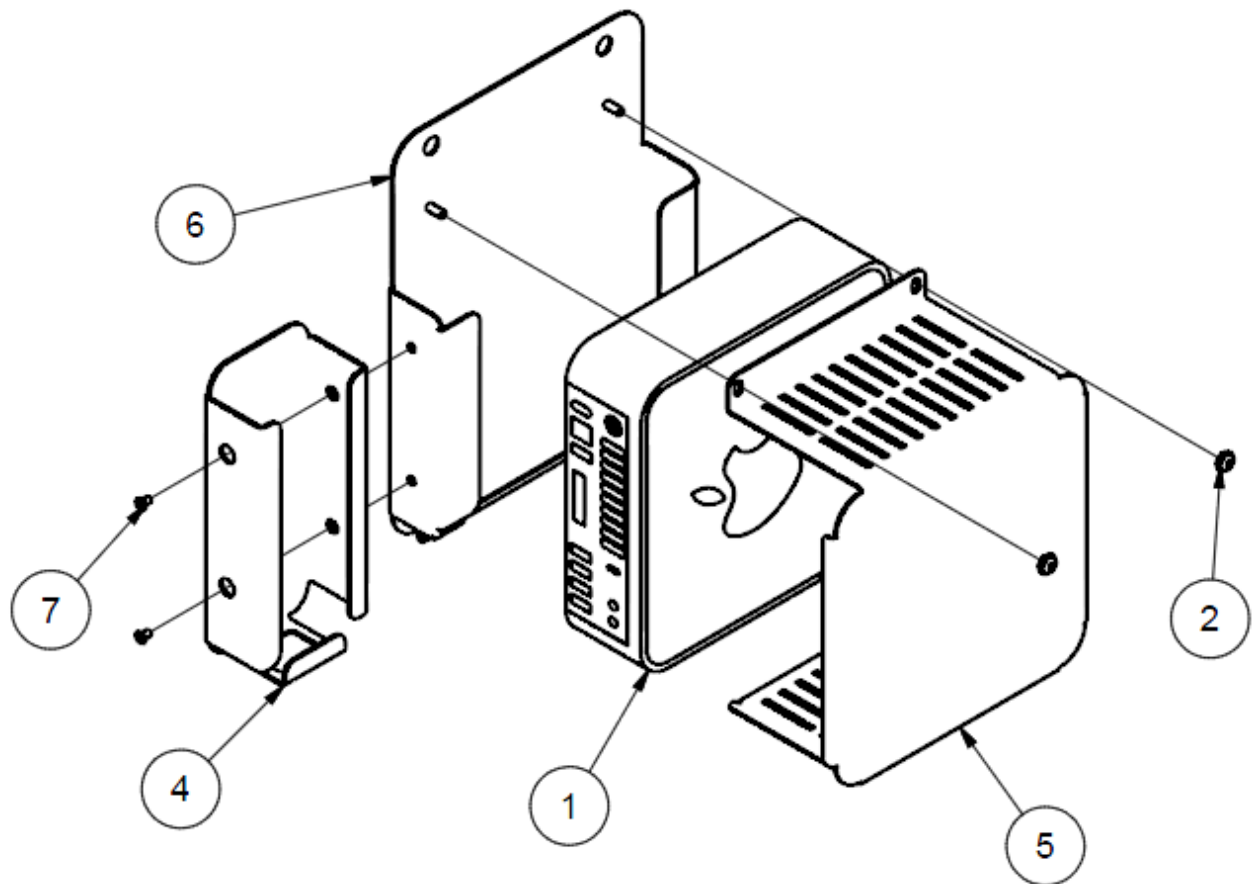

 <i>Better Solutions Are Within Reach®</i>	MODEL NUMBER: PD168-027	Document Number: PD196-122R2
	Mount for Apple Mini®	Page 1 of 2

Assemble the mount as pictured below.

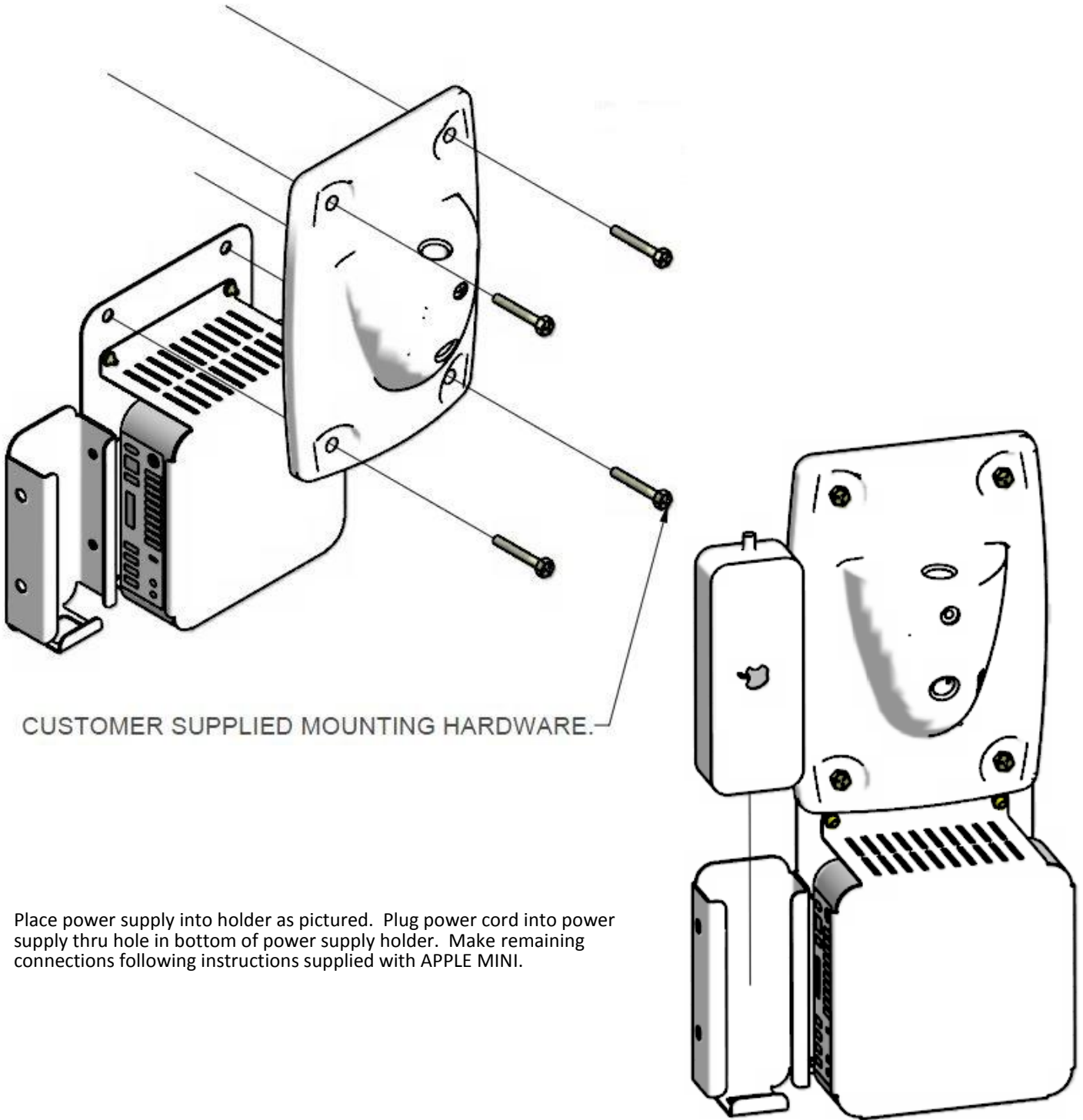
- 1) Place the Apple Mini (1) into the Mini Mount Cover (5).
- 2) Hook the bottom lip of the Mini Mount Cover (5) into the "U" flange at the bottom of the Mini Mount Base (6) and tilt into position until the studs near the top of the Mini Mount Base (6) stick thru the slotted mounting holes in the top lip of the Mini Mount Cover (5).
- 3) Install two PDINILN832 (2) nuts onto the two studs and tighten to secure the Apple Mini.
- 4) Attach the Mini Mount PS Socket (4) to the side of the Mini Mount Base (6) as pictured, using two PDIPFHMS63225 (7) screws.



Parts List			
ITEM	QTY	PART NUMBER	DESCRIPTION
1	1	Apple Mini	
2	2	PDINILN832	8-32 NYLOC
4	1	PD133-041	Mini Mount PS Socket
5	1	PD133-040	Mini Mount Cover
6	1	PD133-039	Mini Mount Base
7	2	PDIPFHMS63225	6-32 X 1/4 PFHMS

 <i>Better Solutions Are Within Reach®</i>	MODEL NUMBER: PD168-027	Document Number: PD196-122R2
	Mount for Apple Mini®	Page 2 of 2

Mount assembly to wall using the bottom two bolts of the wall bracket as pictured. Place mount between wall and bottom of wall bracket casting. Tighten mounting bolts as normal.



Place power supply into holder as pictured. Plug power cord into power supply thru hole in bottom of power supply holder. Make remaining connections following instructions supplied with APPLE MINI.