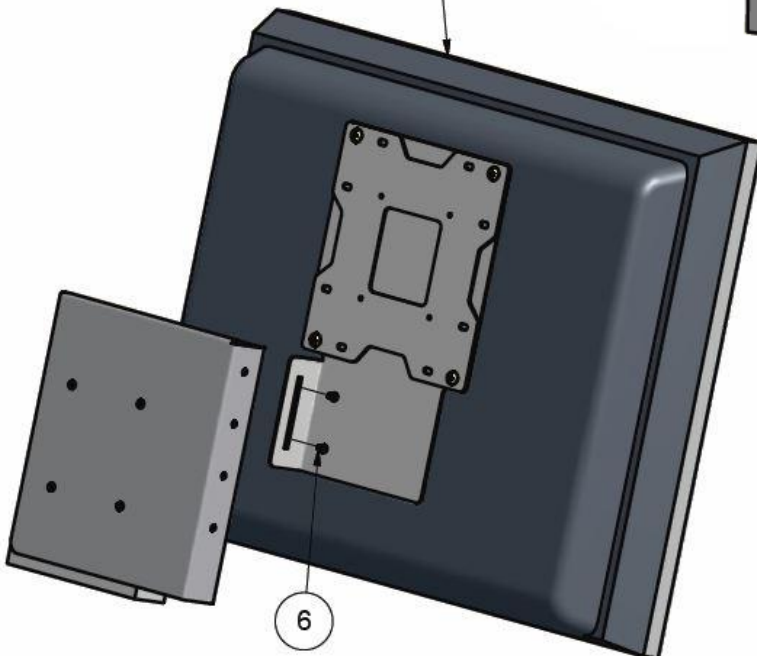


STEP 5:  
ATTACH THE DVD ASSEMBLY  
TO THE BASE BRACKET.  
MAKE SURE THE DVD'S  
CONTROLS AND DISPLAY  
ARE VISIBLE BELOW THE TV.  
ATTACH A/V CABLES TO THE TV  
AND POWER CABLE TO OUTLET.



Parts List		
ITEM	QTY	DESCRIPTION
1	1	PEERLESS 200MM ADAPTER PLATE
2	1	26" LCD TV
3	1	DVD PLAYER
4	1	DVD MOUNTING BRACKET 200MM
5	1	DVD MOUNTING BRACKET
6	6	M4X.7 6MM TORX PAN HD SCREW 18-8SST
7	4	PEERLESS M6 X 16mm SCR