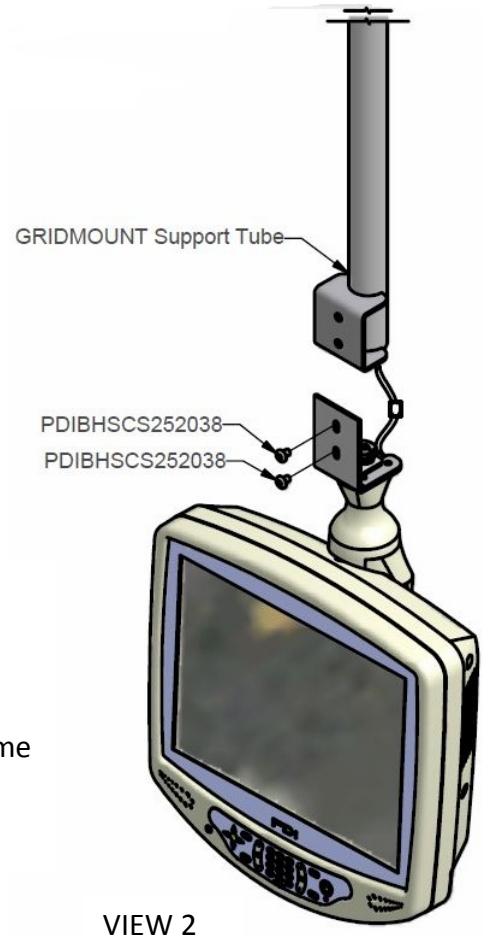
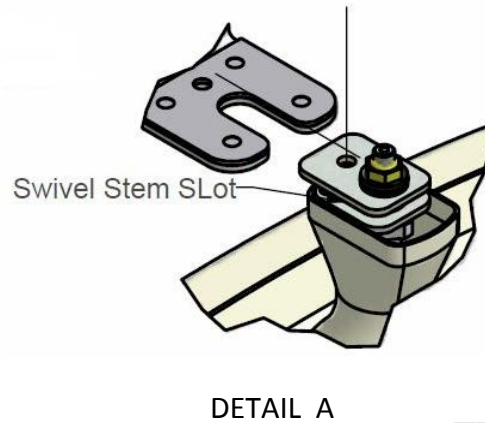
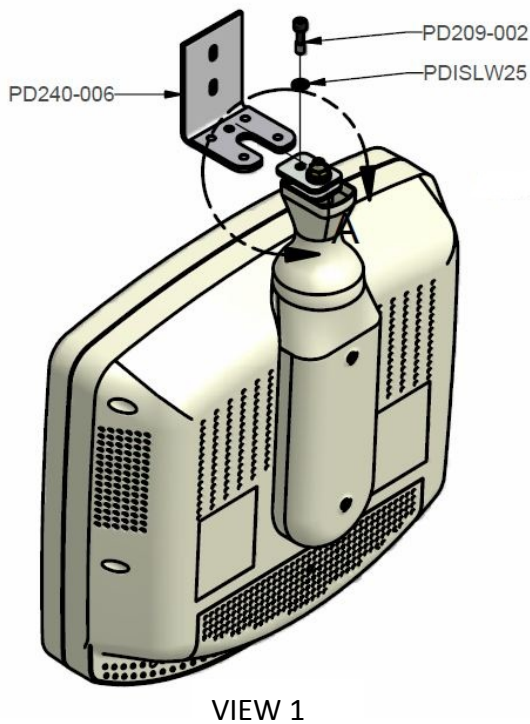
 <p><b>PDi</b> Communication Systems, Inc. Better Solutions Are Within Reach®</p>	MODEL NUMBER: <p style="text-align: center;"><b>PD240-006</b></p>	Document Number: PD196-140R2
	P15X Gridmount Adapter Installation	Page 1 of 1

## P15X GRIDMOUNT ADAPTER

Slide the PD240-006 adapter bracket into the slot of the P15X swivel stem as in view 1 and detail A, and secure using the PD209-002 (retainer screw) and PDISLW25 (1/4" lock washer) that come with the TV.



1. Make the needed cable connections between the TV and the supply cables
2. Feed the connections up into support tube.
3. Attach the PD240-006 adapter bracket to the support tube as pictured in view 2, using the PDIBHSCS252038 screws that come with the GRIDMOUNT.