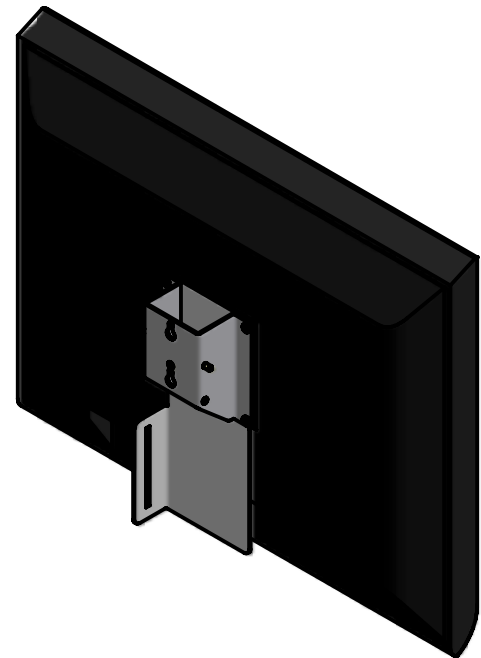
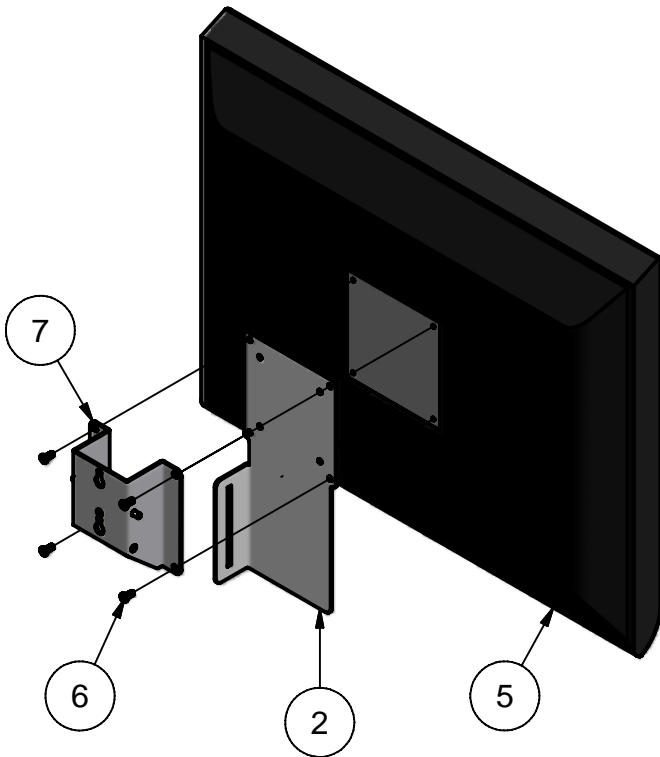


Connect the A/V and power cables to the DVD player, routing all of the cables up. Attach the DVD player (#1) to the PD181-668 bracket (#3) with four PDITPHMSM4X76 screws (#4).

Attach the PD181-670 (#2) bracket and the PD181-596 (#7) bracket to the rear 100mm VESA mount of the TV with four PDIPPHMSM4X710 screws (#6).

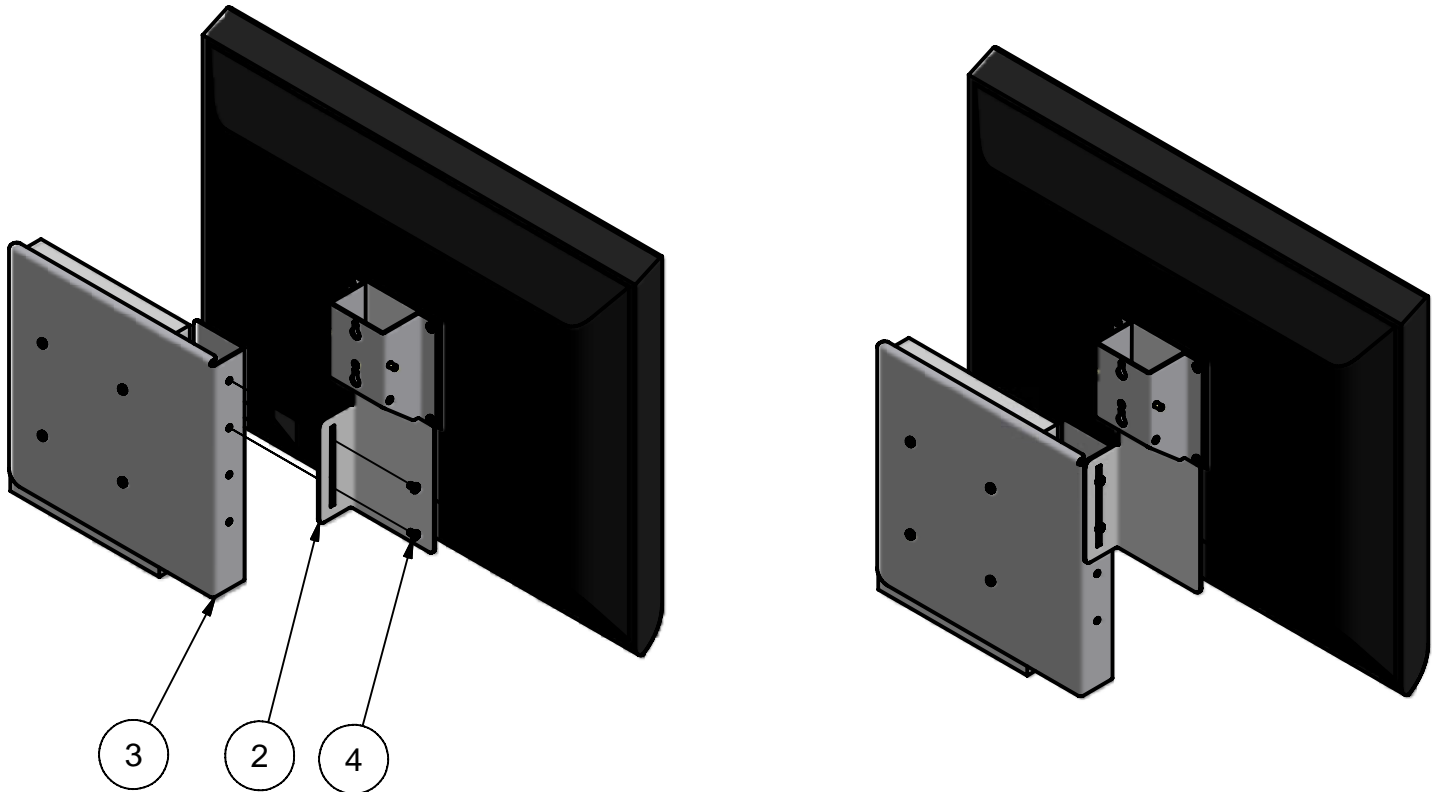
NOTE: This DVD mount can be used with 100mm VESA TV mounts from other manufacturers.

Mount the TV assembly to the wall following the wall mount installation instructions that were supplied with the wall mount.



Parts List			
ITEM	QTY	PART NUMBER	DESCRIPTION
1	1	PDI-DVD-SA	DVD PLAYER
2	1	PD181-670	100MM DVD MOUNTING BRACKET
3	1	PD181-668	DVD MOUNTING BRACKET
4	6	PDITPHMSM4X76	M4-.7 x 6MM TORX PAN HD SCREW 18-8SST
5	1	P22LCD	PDI 22" LCD TV
6	4	PDIPPHMSM4X710	M4-.7 X 10mm PPHMS
7	1	PD181-596	100mm LCD Wall Mounting Bracket

Attach the DVD player and PD181-668 bracket (#3) to the PD181-670 bracket (#2) with two PDITPHMSM4x76 screws (#4).
Make sure that the DVD controls and display are visible below the TV.
Attach the A/V cable to the TV and plug the power cable into the wall outlet.
Test connections by verifying DVD operation.



Parts List			
ITEM	QTY	PART NUMBER	DESCRIPTION
1	1	PDI-DVD-SA	DVD PLAYER
2	1	PD181-670	100MM DVD MOUNTING BRACKET
3	1	PD181-668	DVD MOUNTING BRACKET
4	6	PDITPHMSM4X76	M4-.7 x 6MM TORX PAN HD SCREW 18-8SST
5	1	P22LCD	PDI 22" LCD TV
6	4	PDIPPHMSM4X710	M4-.7 X 10mm PPHMS
7	1	PD181-596	100mm LCD Wall Mounting Bracket