	MODEL NUMBER: PD168-005	Document Number: PD196-150R3
	75MM VESA LCD WALL MOUNT	Page 1 of 2

Scope:

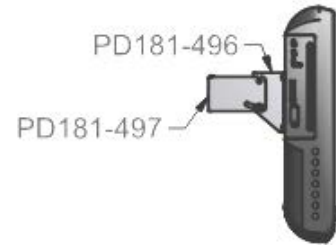
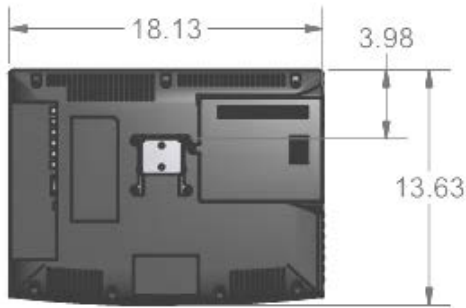
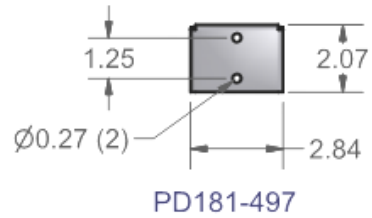
To wall mount the LCD TV with the PD168-005 wall mount.
 This mount has a standard 75mm VESA pattern to fit the PDI-P19LCD and CV2200 TVs,
 as well as other 75mm VESA compliant sets.


TOOL LIST:

- 1) Safety glasses/goggles
- 2) P1 screwdriver
- 3) 1/4 hex bit driver
- 4) PD219-020 pilfer tool bit (included with kit)

Safety steps:

- 1) Always wear safety glasses/goggles to prevent injury from debris.
- 2) Follow the installation/removal instructions for your existing products.



	MODEL NUMBER: PD168-005	Document Number: PD196-150R3
	75MM VESA LCD WALL MOUNT	Page 2 of 2

PROCEDURE:

STEP 1:

Select a location on the wall approximately 5 inches below the ceiling for the PDI-P19LCD.
 Select a location on the wall approximately 7 inches below the ceiling for the CV2200.
 Other TVs will need to be measured, by the installer, to determine the proper mounting location of the PD181-497 bracket.
 Position the PD181-497 wall bracket and locate two mounting holes.
 Secure the PD181-497 bracket to the wall (mounting hardware is not included).

STEP 2:

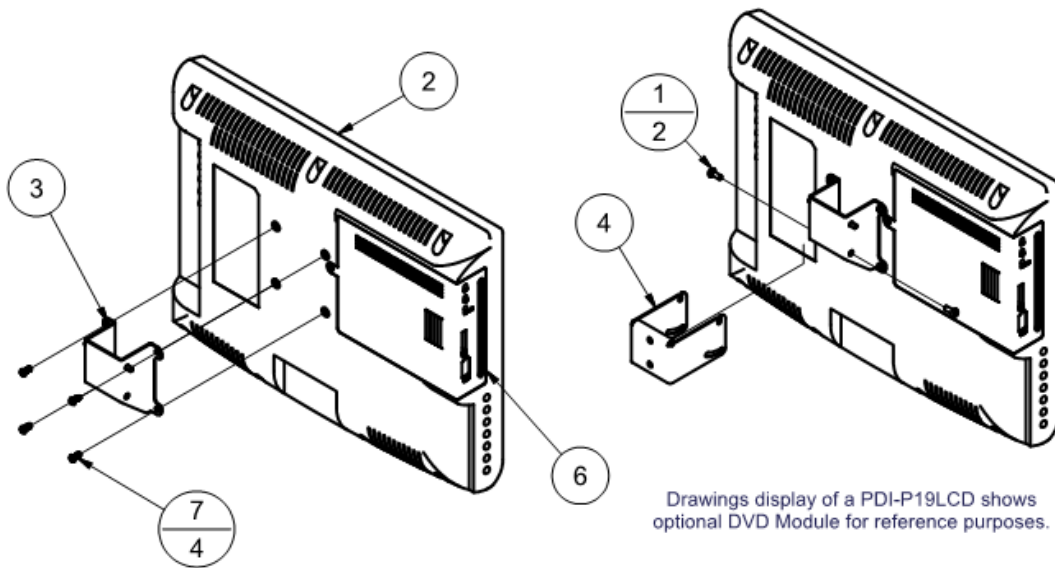
Position the PD181-496 TV bracket on the LCD TV cabinet. Attach with four PDIPPHMSM4X710 M4 screws provided.

STEP 3:

Mate the TV and PD181-496 TV bracket to the PD181-497 wall bracket making sure the pivot pins are retained in the slot.
 Secure with two PDIPPBHSCS103250 10x32 pilfer screws, adjust the tilt to the desired viewing angle, and then tighten.

STEP 4:

Follow installation/setup guide supplied with the set to make the required electrical connections.



Parts List			
ITEM	QTY	PART NUMBER	DESCRIPTION
1	2	PDIPPBHSCS103250	10-32 X 1/2 PILFER PROOF PIH BUTTON HEAD
2	1	PDI-19LCD	19" Modular LCD TV (NOT INCLUDED IN KIT)
3	1	PD181-496	75MM LCD MOUNT (TV bracket)
4	1	PD181-497	75mm LCD TILT CLEVIS (Wall bracket)
6	1	P19-DVD MODULE	OPTIONAL (NOT INCLUDED IN KIT)
7	4	PDIPPHMSM4X710	M4-0.7x10mm SCREW
8	1	PD219-020	TAMPER RESISTANT HEX BIT (Not Pictured)
9	2	PD218-001	8" TY-WRAP (Not Pictured; may be used to wrap extra cable)