

TOOL LIST:

- 1) 1/8" ALLEN (HEX) WRENCH
 - 2) 5/32" ALLEN (HEX) WRENCH
 - 3) MEDIUM PIPE WRENCH (OPENS TO 2-1/2") OR LARGE SLIP JOINT PLIERS (OPENS TO 2")
- * A STRAP TYPE WRENCH IS PREFERRED FOR INSTALLATION TO PREVENT MARRING OF THE PART FINISH.

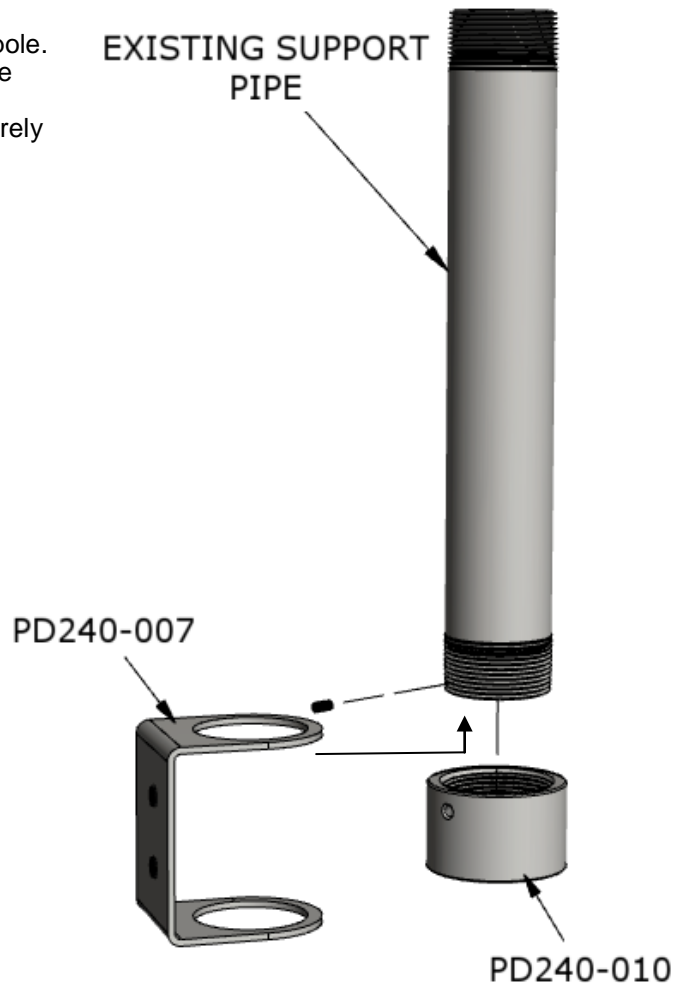
Parts List			
ITEM	QTY	PART NUMBER	DESCRIPTION
1	1	PD240-007	ADAPTER MOUNT
2	1	PD240-010	1-1/2 PIPE COUPLER
3	2	PDIBSHCS 2520	1/4-20 X 1/2 SOCKET HEAD CAP SCREW
4	1	PDISSS252038	1/4-20 X 3/8 SOCKET SET SCREW


STEP 1 :

Disconnect all electrical connections, ensuring that all cables are unattached for removal.
 Remove the existing TV from the existing mount.
 Remove the existing mount/joint from the bottom of the support pole/pipe.
 Verify that the existing support pole/pipe is long enough for the new installation.
 *PDI televisions will have a mounting dimension given in the TV manuals.
 If the support pole/pipe is of adequate length for the installation, clean and inspect the threads.
 If the support pole/pipe is too short for a correct installation, contact PDI for assistance.

STEP 2 :

Insert the PD240-007 (bracket) over the support pole.
 Insert the PD240-010 (cap) onto the bottom of the support pole threads.
 Use the wrench to ensure that the parts are securely threaded together.



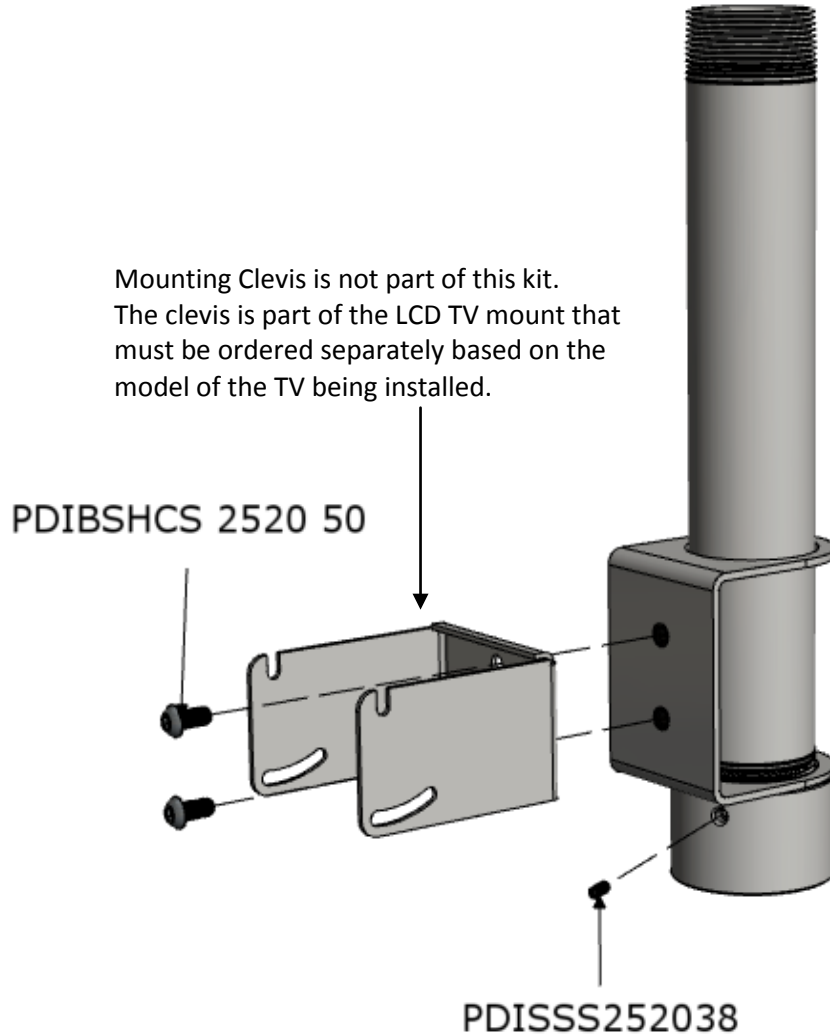
 <i>Your Source for Healthcare and Wellness Infotainment™</i>	MODEL NUMBER: PD168-037	Document Number: PD196-153R3
	INSTALLATION OF 1-1/2 PIPE ADAPTER KIT	Page 2 of 2

STEP 3 :

Install the (2) PDISSS252538 setscrew into the PD240-010 (cap) and tighten with the 1/8" Allen (hex) wrench.

STEP 4 :

Attach the appropriate LCD TV mounting bracket to the PD240-007 (ADAPTER MOUNT) with (2) PDIBHSCS252050 screws and tighten with the 5/32" Allen (hex) wrench.



STEP 5 :

Install the LCD TV following the instructions supplied with the mounting bracket and the LCD TV. Reconnect the cable connections following the instructions supplied with the LCD TV.