

	MODEL NUMBER: PD168-038	Document Number: PD196-156R2
	Nose Cover Kit: 403 Arm with P15X LCD TV	Page 1 of 3

Safety steps:

1. Always wear safety glasses/goggles to prevent injury from debris.
2. Follow the installation/removal instructions for your existing products.

Contents of nose cover kit:

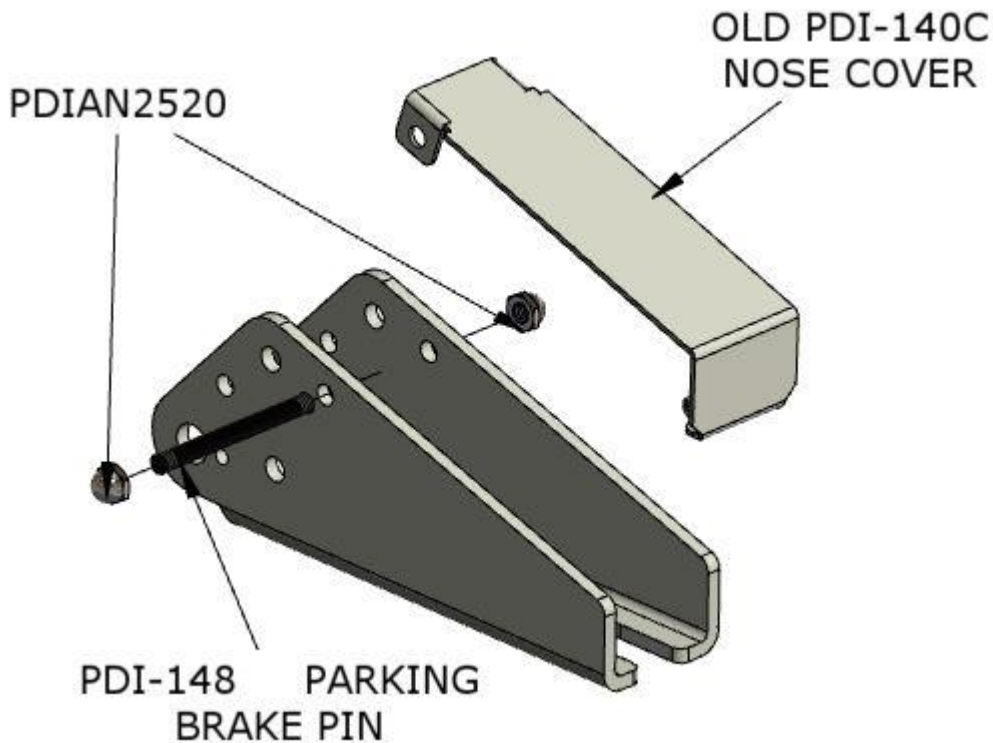
1. One nose cover.
2. One nose cover mounting bracket.
3. One 10-32 x 5/16 phillips head screw.

Required tools/items:

1. Two 7/16 combination boxed/open wrenches.
2. a 3/16 allen wrench or hex key.
3. a #1 or #2 phillips screw driver.

PROCEDURE AND SAFETY NOTICES:

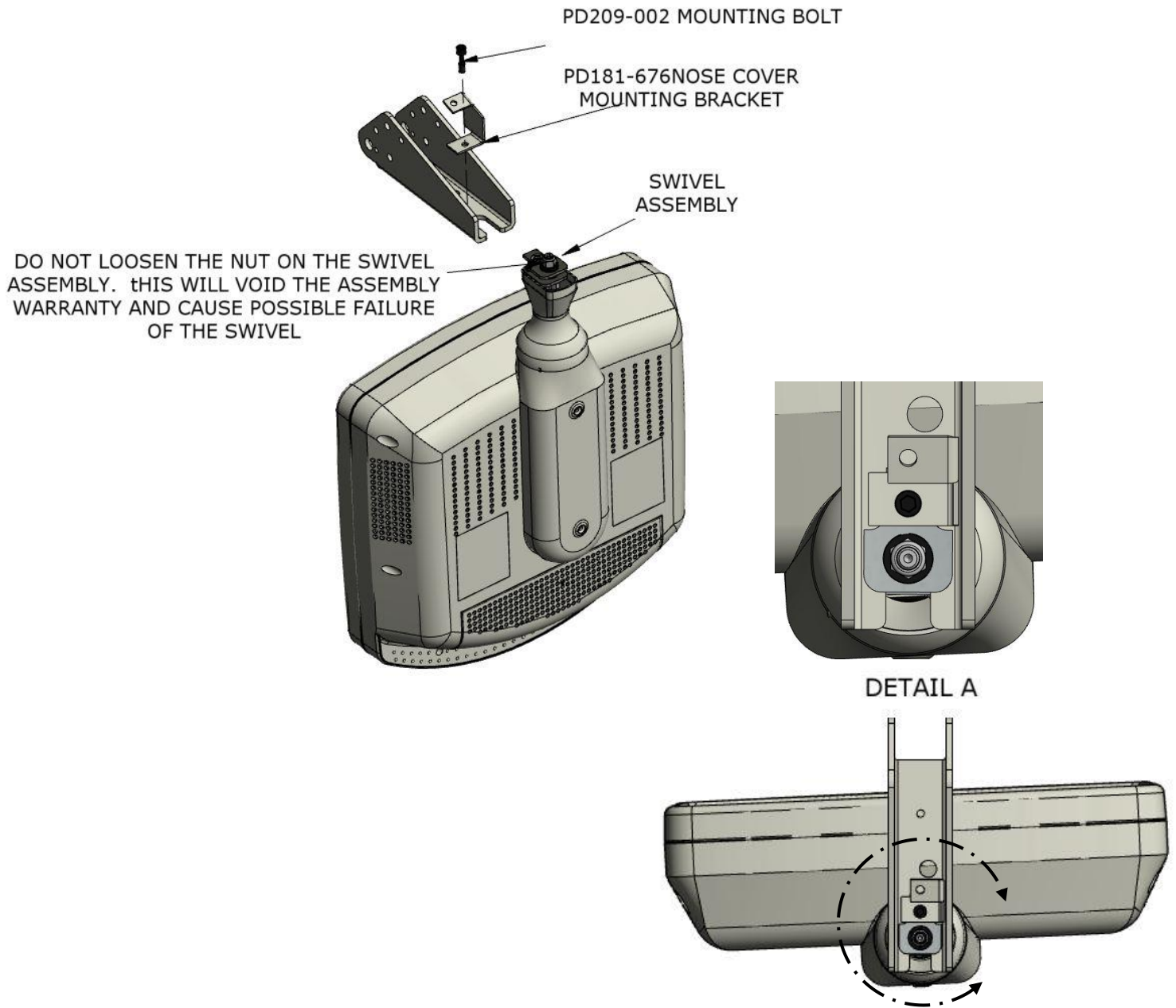
1. Disconnect any power connections before removing the TV from the arm.
2. Remove the TV and old nose cover from the arm following the steps outlined in the arm product manual, PDI-170-000.
3. **Make sure the Parking Brake pin (PDI-148) is properly installed and secure in the arm before removing the TV.**
4. Remove the 1/4-20 socket head cap screw from the bottom of the nose using a 3/16 allen wrench/hex key.



	MODEL NUMBER: PD168-038	Document Number: PD196-156R2
	Nose Cover Kit: 403 Arm with P15X LCD TV	Page 2 of 3

Installing the new PDI-P15X LCD TV:

1. Remove the PD209-002 mounting bolt from the swivel assembly and discard the split lock washer. The washer will not be used.
2. Slide the swivel assembly into the slot in the front of the nose until the mounting hole lines up with the threaded 1/4-20 hole of the nose.
3. If the swivel assembly will not slide into the slot in the front of the nose, please contact PDi at 1-800-628-9870 for assistance.
4. **DO NOT LOOSEN THE NUT ON THE SWIVEL ASSEMBLY. THIS WILL VOID THE ASSEMBLY WARRANTY AND CAUSE POSSIBLE FAILURE OF THE SWIVEL.**
5. Insert the PD209-002 mounting bolt thru the cover mounting bracket and the swivel assembly and thread into the 1/4-20 hole of the nose.
6. Tighten the PD209-002 mounting bolt thru the nose and into the threaded insert of the swivel assembly.
7. Align the cover mounting bracket as pictured in DETAIL A and finish tightening the PD209-002 mounting bolt.



8. Reconnect the cables under the flange of the cover mounting bracket.
9. Remove the PDI-148 parking brake pin from the arm and use it to install the new nose cover as pictured.
10. Close the nose cover, making sure that none of the cables are pinched.
11. Secure the nose cover with the 10-32 x 5/16 phillips screw that is provided.
12. Test functionality of the installation.

