	MODEL NUMBER: PD168-039	Document Number: PD196-157R2
	40 TO 55 DEGREE TILT INTERMEDIATE MOUNTING KIT	Page 1 of 2

This mounting kit has a standard 100mm VESA pattern and will fit sets that have a 100mm VESA mounting pattern for use with M4 screws. This high tilt kit is made to be mounted between the LCD TV and another PDI mount. It cannot be mounted directly to the wall because the high tilt angle will cause the LCD TV to interfere with the wall.

The assembly views show a PDI-P22LCD TV attached to a PDI Gridmount support. The TV and support are not included items.

Safety steps:

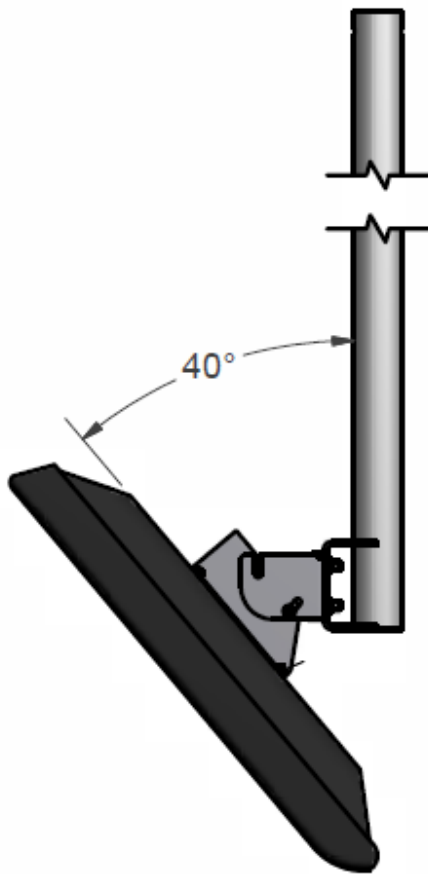
- 1) Always wear safety glasses/goggles to prevent injury from debris.
- 2) Follow the installation/removal instructions for your existing products.

Contents of this kit:

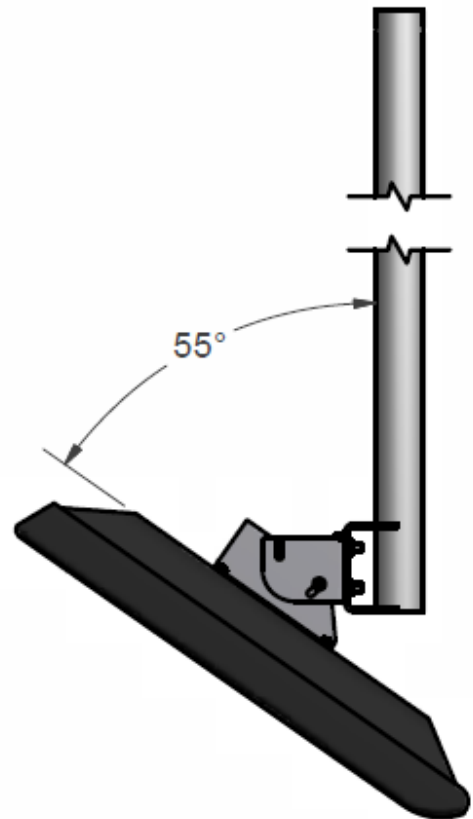
- 1) One PD181-596 bracket.
- 2) One PD181-624 bracket.
- 3) Two 10-32 x 1/2" security screws (PDI part# PDIPBHSCS103250).
- 4) One security bit (PD219-020).
- 5) Four M4-.7 x 6 mm phillips head screws (PDI part# PDIPPHMSM4X76).

Required tools/items:

- 1) A 1/4" hex bit driver (to use the supplied security bit).
- 2) A 5/32 allen wrench or hex key.
- 3) A #1 or #2 phillips screw driver.



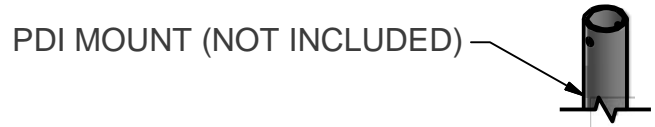
40 Degree Tilt



55 Degree Tilt

INSTALLATION PROCEDURE:

- 1) Attach the PD181-624 to the PDI support/mount using the 1/4-20 fasteners supplied with that mount. (View 1)
- 2) Attach the PD181-596 bracket to the VESA pattern on the back of the LCD TV, using the four supplied M4-.7x6mm screws. (View 2)
- 3) Carefully lift the set up and position the PD181-596 mounting bracket inside the sides of the PD181-624 mount, allowing the two side support pins of the PD181-596 mounting bracket to rest in the two notches at the front of the PD181-624 mount. (View 3)
- 4) Adjust the tilt and secure the PD181-596 mounting bracket to the PD181-624 mount using two PDIPPHMS1032 38 screws.

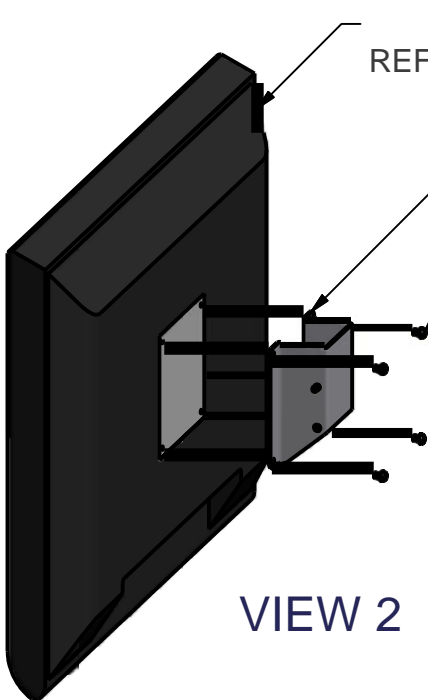


VIEW 1

1/4-20 BUTTON HEAD SCREW (2)
 SUPPLIED WITH OTHER MOUNT

PD181-624

GRIDMOUNT SUPPORT
 REF. ONLY / NOT INCLUDED



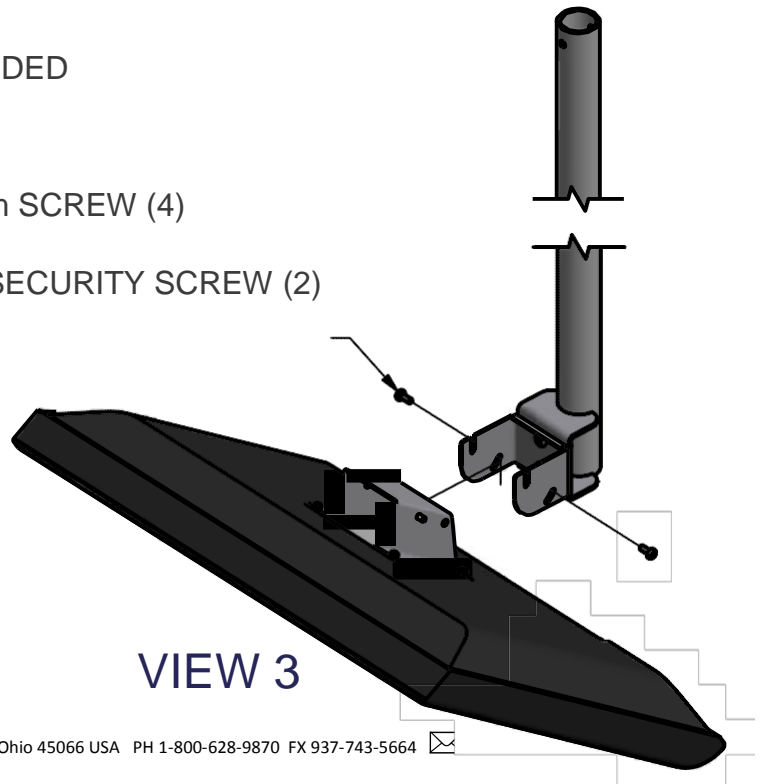
VIEW 2

PDI-P22LCD
 REF. ONLY / NOT INCLUDED

PD181-596

M4-.7 X 6mm SCREW (4)

10-32 X 1/2 SECURITY SCREW (2)



VIEW 3