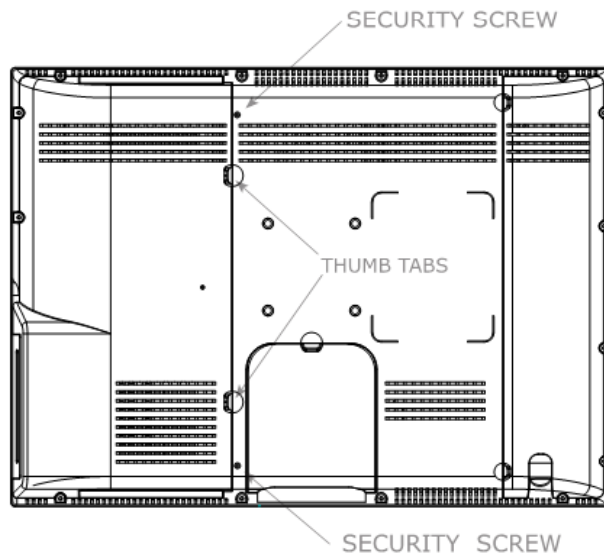
	MODEL NUMBER: <b>PD251-002</b>	DOCUMENT NUMBER: <b>PD196-161 R2</b>
	<b>INSTALLING THE PD251-002 DVD MODULE</b>	Page 1 of 8



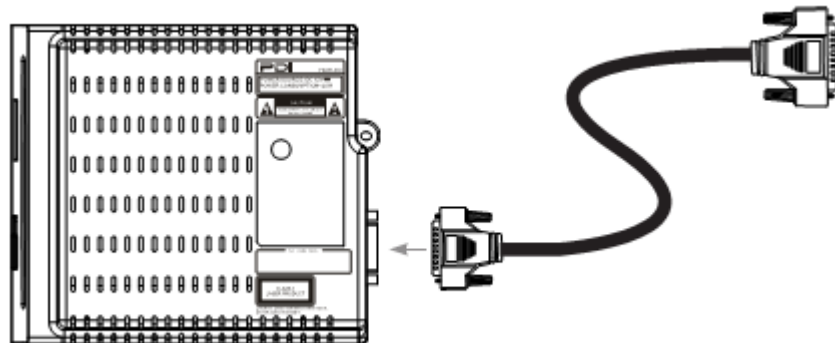
**CAUTION:** Disconnect the TV's AC Power Cord from the wall outlet before installing the DVD module. Failure to do so may result in catastrophic damage to the module and/or the TV.


**The following instructions are for installing the PD251-002 DVD Module in PDI P-Series large screen televisions (26", 32" & 40").**

1. Disconnect TV's AC power cord from the wall outlet.
2. Remove 2 Security Screws.
3. Press down on each Thumb Tab and remove the back Cabinet Cover.

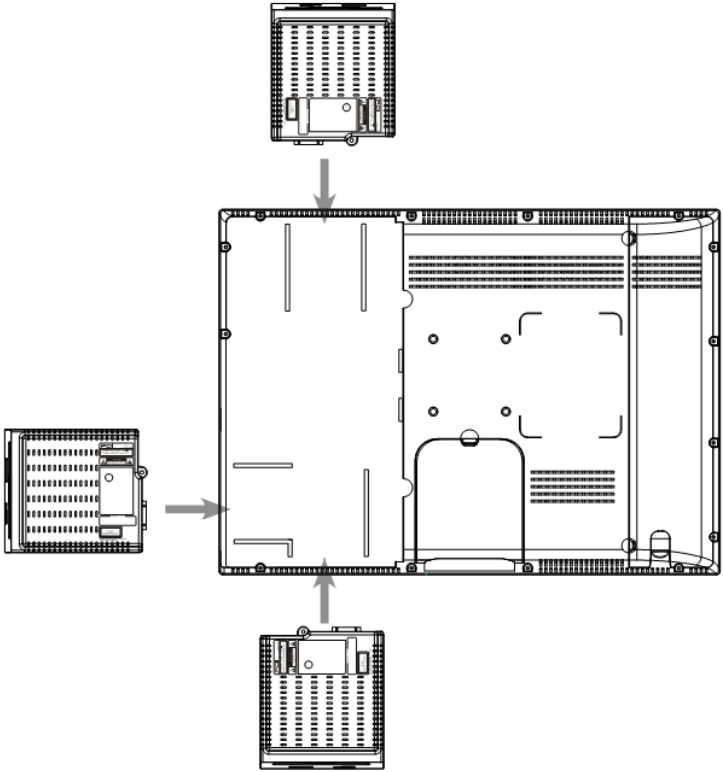


4. Attach the Interface Cable (packed with module) to the DVD module.

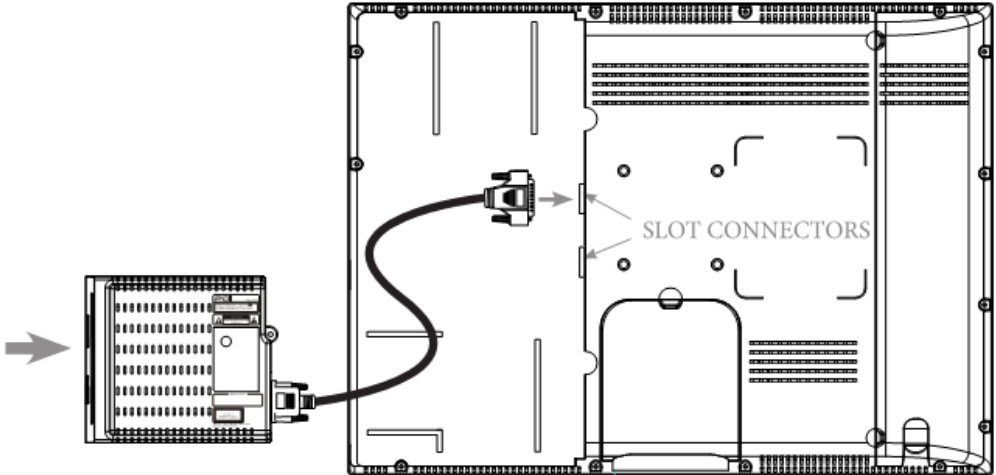



	MODEL NUMBER: <b>PD251-002</b>	DOCUMENT NUMBER: <b>PD196-161 R2</b>
	INSTALLING THE PD251-002 DVD MODULE	Page 2 of 8

- The DVD module mounts onto slide rails inside the TV. The module can be installed from the Top, Side, or Bottom. Side installation is most common.

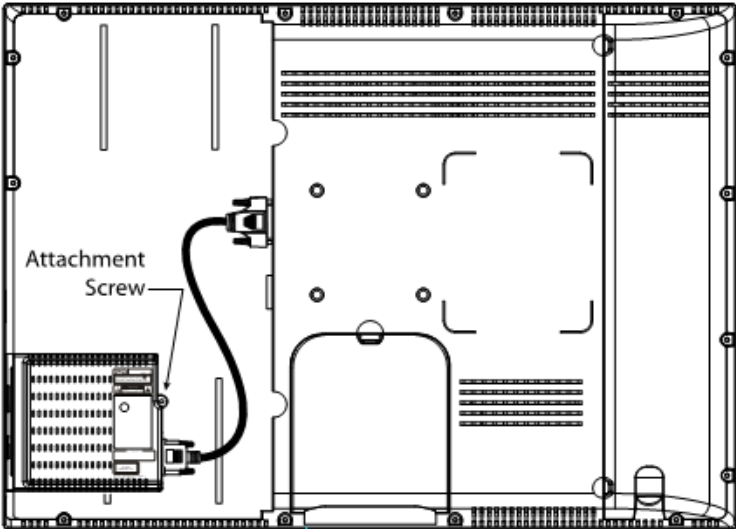


- Attach the free end of the DVD module Interface Cable to either of the TV's Slot Connectors.
- Slide the DVD module into the slides.

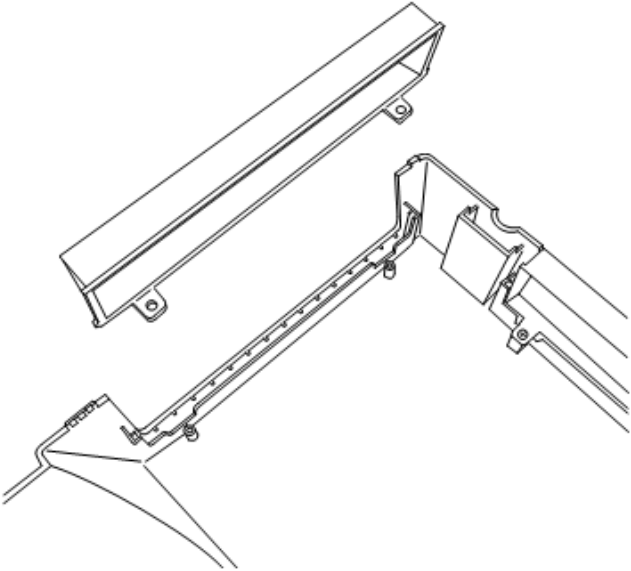


	MODEL NUMBER: <b>PD251-002</b>	DOCUMENT NUMBER: <b>PD196-161 R2</b>
	INSTALLING THE PD251-002 DVD MODULE	Page 3 of 8

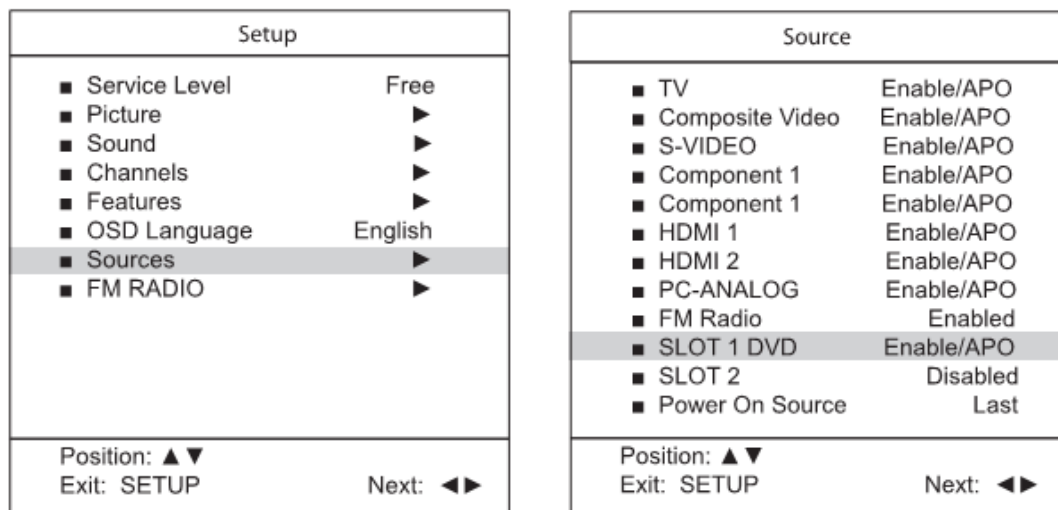
8. Secure the DVD module to the TV using the Attachment Screw.




9. Locate the filler panel on the removable back cover for the DVD's new mounting position. Remove 2 screws and separate the filler panel from the back cover. Reinstall the back cover over the newly installed DVD module. Press the tabs into place. Attach the cover with two security screws.



10. Connect the TV's AC Power Cord.
11. Turn the TV On, and with the PD108-427 remote control (packed with DVD module), activate the Setup Menu. The TV's Setup Menu is activated by pressing **OK, 7, 5, 3, 1** on the remote control.
12. Select SOURCES from the SETUP menu.
13. In the SOURCES menu locate the Slot Source that now displays the connected DVD. Enable the source.



14. Press OK to exit the TV's menus. Press the TV/AV button on the remote or TV's keypad and switch the TV to DVD mode. Insert a DVD disc and verify correct operation.

	MODEL NUMBER: <b>PD251-002</b>	DOCUMENT NUMBER: <b>PD196-161 R2</b>
	INSTALLING THE PD251-002 DVD MODULE	Page 5 of 8

**The following instructions are for mounting the PD251-002 DVD Module on PDI P23-Series.**


1. Unplug the TV's power cord before installing the DVD Module.
2. Slide the DVD Module (PD251-002) into the slots on the right side of the back of the P23LCDE TV as shown below.



3. Secure with flat-head Phillips screw.



4. Open the slot door at top of TV. Connect Cable to TV.

	MODEL NUMBER: <b>PD251-002</b>	DOCUMENT NUMBER: <b>PD196-161 R2</b>
	<b>INSTALLING THE PD251-002 DVD MODULE</b>	Page 6 of 8

5. Connect Cable to DVD Module and tighten cable screws.



### Enable DVD Module

Now that you have the DVD Module installed, it needs to be enabled by using the programming menus. After the DVD Module is enabled, it is ready for use.

1. Plug the Power Cable into wall outlet.
2. Turn the TV On, and with the PD108-427 remote control (packed with DVD module), activate the Setup Menu. The TV's Setup Menu is activated by pressing **OK, 7, 5, 3, 1** on the remote control.
3. From the SETUP menu, press **▲** or **▼** to highlight Source Setup.
4. Press **▶** to select it.
5. Press **▼** to highlight SLOT 1.
6. Press **◀** or **▶** to change the source status to Enable.

7. To exit, press SETUP until the programming menus disappear.

Setup Mode	
■ Service Level	Free
■ Picture	▶
■ Sound	▶▶
■ Channels	▶▶▶
■ Features	▶▶▶▶
■ OSD Language	English
■ Sources	▶
■ FM RADIO Setup	▶
Position: ▲ ▼	
Exit: SETUP	Next: ◀▶

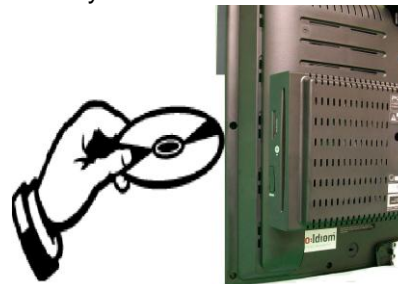
Sources	
■ TV	Enabled/APO
■ Composite Video	Disabled
■ S-Video	Disabled
■ Component	Disabled
■ HDMI 1	Disabled
■ HDMI 2	Disabled
■ PC-Analog	Disabled
■ FM Radio	Enabled
■ DVD	Enabled/APO
■ Power On Source	TV
APO = Auto Power Off if no video	
Position: ▲ ▼	
Exit: SETUP	Label: TV/AV
	Next: ◀▶

### Disc Playback

Patients may use a compatible pillow speaker or a user remote (PD108-427).

**NOTE:** *Some pillow speakers may not have all the DVD control functions that are listed below. (Consult the pillow speaker manual for the model that will be attached to this unit.)*


1. Use the **TV/AV** button on the TV, pillow speaker (if available) or remote to select the DVD mode.
2. Gently insert the disc into the slot, with the label side facing the same direction as the front of the TV.
3. The disc will be drawn into the unit and loaded automatically.



*Place CD/DVD into player with label facing front of TV.*

4. Press the ▶ **Play** button to start playback.

**NOTE:** *Playback might start automatically when the disc is inserted.*

 <small>Communication Systems, Inc.</small> <i>Better Solutions Are Within Reach™</i>	MODEL NUMBER: <b>PD251-002</b>	DOCUMENT NUMBER: <b>PD196-161 R2</b>
	INSTALLING THE PD251-002 DVD MODULE	Page 8 of 8

5. During playback, press the **■Stop** button once to stop playback and then press the **▶ Play** button to resume. Press the **■Stop** button twice to stop playback completely.
6. During playback, press the **⏸ Pause** button once to pause the playback; press it repeatedly to start step-by-step playback and press the **▶ Play** button to resume normal playback.
7. During playback, press the **▶▶** button to go to the next chapter. Press the **◀◀** button once to return to the beginning of the current chapter; press it twice to go to the previous chapter.
8. During playback, press the **▶▶** button to activate fast forward playback; press the **◀◀** button to activate fast backward playback. During fast playback, press the **▶ Play** button to resume normal playback.

**NOTE:** *The FFD/RWD speeds are x2, x4, x8, x16, or x32.*

9. On the PD108-427 remote, the OK button and the directional buttons that surround it can be used to select the menu item choices on a DVD. (e.g. Scene Selection and Bonus Features.). Use the four directional buttons to move to the desired menu item, and press the OK button to select it.

## **TROUBLESHOOTING**

### **TV Will Not Turn On**

1. Verify the AC Power Cord is plugged into the AC Wall outlet
2. Allow a 15-second warm-up period following first connection of AC power.

### **Slot Source Does Not Show DVD**

1. DVD was installed with the AC power cord plugged into the outlet. The remedy, disconnect the AC power cord for 15 seconds, and then reconnect the AC power cord. Enable the Slot Source with the DVD.
2. Verify the DVD module interface cable is fully seated at both the DVD module and TV Slot Connector. Tighten both connections.

END OF INSTRUCTIONS