

SAFETY STEPS:

- 1) Always wear safety glasses/goggles to prevent injury from debris.
- 2) Follow the installation/removal instructions for your existing products.

TOOL LIST:

- 1) P1 or P2, phillips screw driver
- 2) 1/4 " hex bit driver
- 3) PD219-128 (supplied with kit) TORX T20 hex bit
- 4) Safety glasses/goggles

PROCEDURE:

STEP 1:

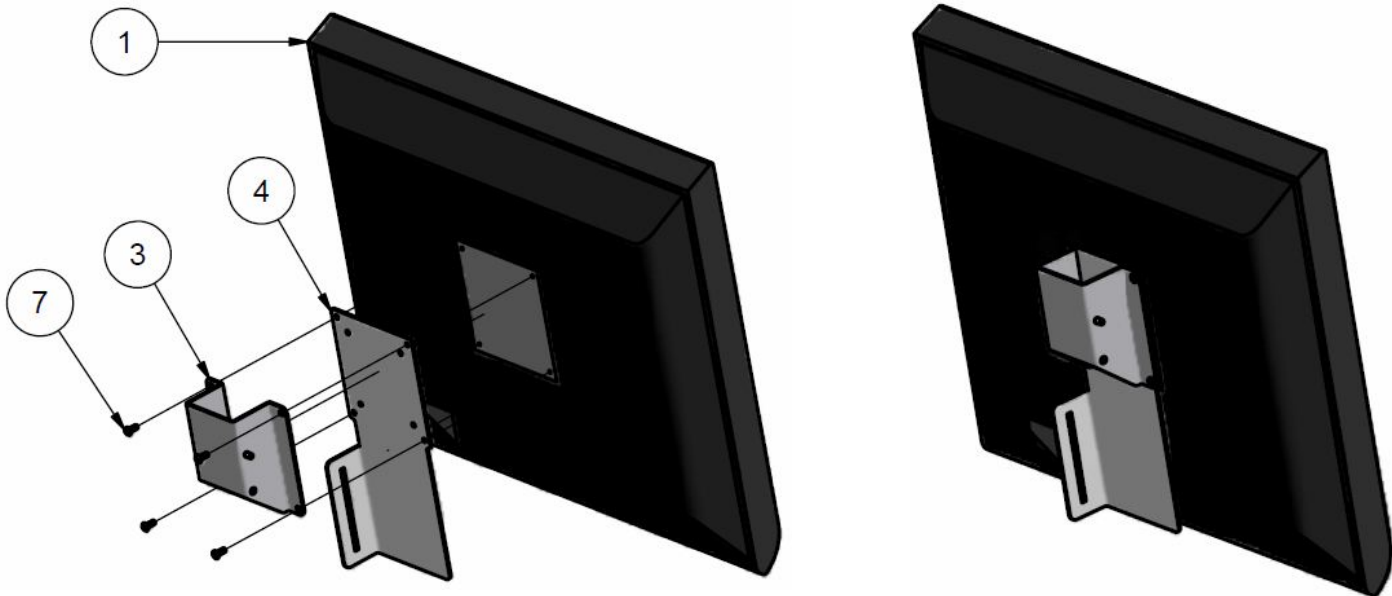
Attach the DVD player (#2) to the PD181-681 bracket (#5) with four PDITPHMSM4X76 screws (#6).

Connect the A/V and power cables to the DVD player, routing all of the cables thru the strain relief opening in the DVD player.


STEP 2:

Attach the PD181-670 (#4) bracket and the PD181-596 (#3) bracket to the rear 100mm VESA mount of the TV with four PDIPPHMSM4X710 screws (#8).

NOTE 1: This DVD-SH mount can be used with 100mm VESA TV mounts from other manufacturers.



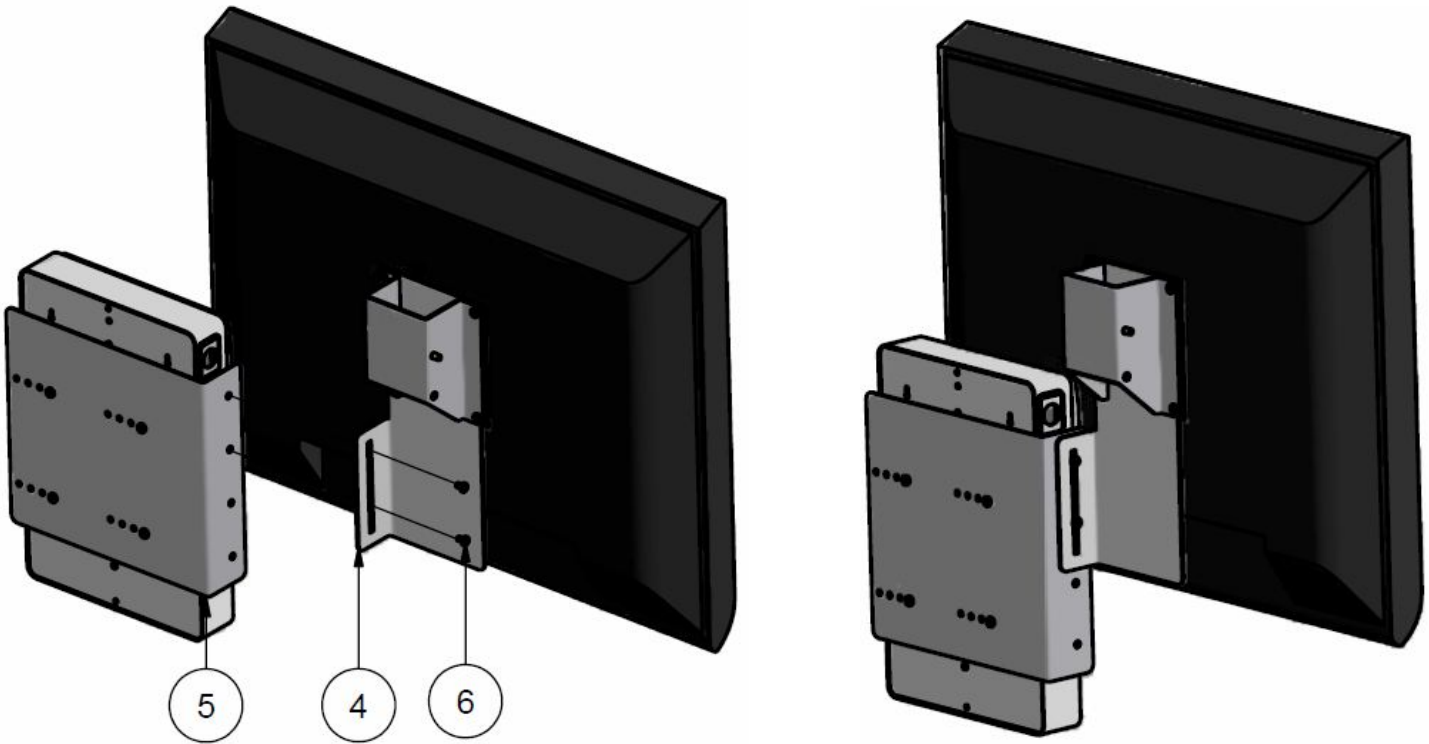
Parts List			
ITEM	QTY	PART NUMBER	DESCRIPTION
1	1	PDI LCD TV	NOT INCLUDED WITH MOUNT
2	1	PDI-DVD-SH model	NOT INCLUDED WITH MOUNT
3	1	PD181-596	100MM LCD MOUNT (NOT INCLUDED WITH THIS KIT)
4	1	PD181-670	100MM DVD MOUNTING BRACKET
5	1	PD181-681	DVD MOUNTING PLATE
6	6	PDITPHMSM4X76	M4X.7 6MM TORX PAN HD SCREW 18-8SST
7	4	PDIPPHMSM4X710	M4 X 10mm PPHMS
8	1	PD219-128	TORX T20 hex bit

 PDi Communication Systems, Inc. <i>Better Solutions Are Within Reach®</i>	MODEL NUMBER: PD168-043	Document Number: PD196-165R2
	PDI-DVD-SH 100MM MOUNTING BRACKET	Page 2 of 2

STEP 3:

Attach the DVD player and PD181-681 bracket (#5) to the PD181-670 bracket (#4) with two PDITPHMSM4x76 screws (#6). Make sure that the DVD controls and display are visible below the TV. Attach the A/V cable to the TV and plug the power cable into the wall outlet. Test connections by verifying DVD operation.

NOTE 2: Mount the TV assembly to the wall following the wall mount installation instructions that were supplied with the wall mount.



Parts List			
ITEM	QTY	PART NUMBER	DESCRIPTION
1	1	PDI LCD TV	NOT INCLUDED WITH MOUNT
2	1	PDI-DVD-SH model	NOT INCLUDED WITH MOUNT
3	1	PD181-596	100MM LCD MOUNT (NOT INCLUDED WITH THIS KIT)
4	1	PD181-670	100MM DVD MOUNTING BRACKET
5	1	PD181-681	DVD MOUNTING PLATE
6	6	PDITPHMSM4X76	M4X.7 6MM TORX PAN HD SCREW 18-8SST
7	4	PDIPPHMSM4X710	M4 X 10mm PPHMS
8	1	PD219-128	TORX T20 hex bit