

TOOL LIST:

- 1) P1 or P2, phillips screw driver
- 2) Safety glasses goggles

SAFETY STEPS:

- 1) Always wear safety glasses goggles to prevent injury from debris.
- 2) Follow the installation removal instructions for your existing products.

PROCEDURE:

STEP 1:

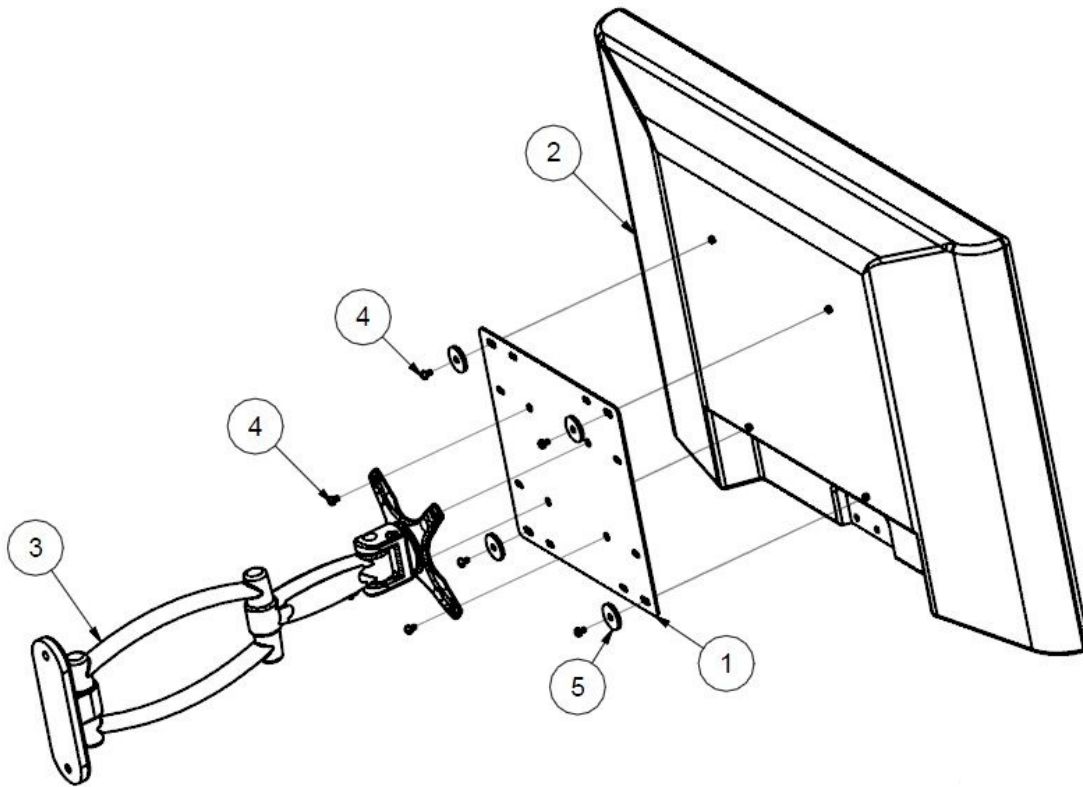
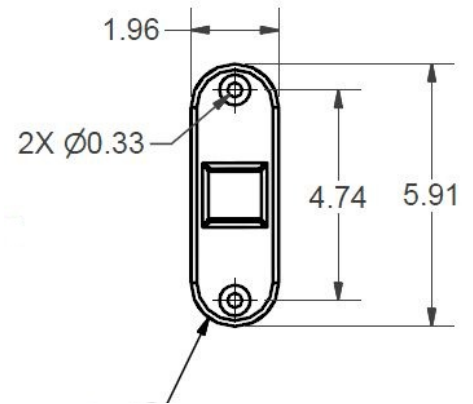
Attach PD181-672 (1) plate to CV2600 (2) TV using four PDIPPHMSM4X76 (4) screws and four PDI1177 (5) washers.

STEP 2:

Attach PD181-700 (3) to the wall using supplied fasteners.

STEP 3:

Attach PD181-700 (3) mount to PD181-672 (1) plate using four PDIPPHMSM4X76 (4) screws.



Parts List			
ITEM	QTY	PART NUMBER	DESCRIPTION
1	1	PD181-672	200MM TO 100MM ADAPTER PLATE
2	1	CV2600	NOT INCLUDED WITH MOUNT
3	1	PD181-700	WALL MOUNT FLAT PANEL TV - 30LBS
4	8	PDIPPHMSM4X76	M4-.7 X 6mm PPHMS
5	4	PDI1177	STEEL WASHER