

TOOL LIST

1. P1 OR P2 PHILLIPS SCREWDRIVER
2. SAFETY GLASSES/GOGGLES

SAFETY STEPS:

1. ALWAYS WEAR SAFETY GLASSES/GOGGLES TO REVENT INJURY FROM DEBRIS.
2. FOLLOW THE INSTALLATION/REMOVAL INSTRUCTIONS FOR YOUR EXISTING PRODUCTS.

PROCEDURE:

STEP 1

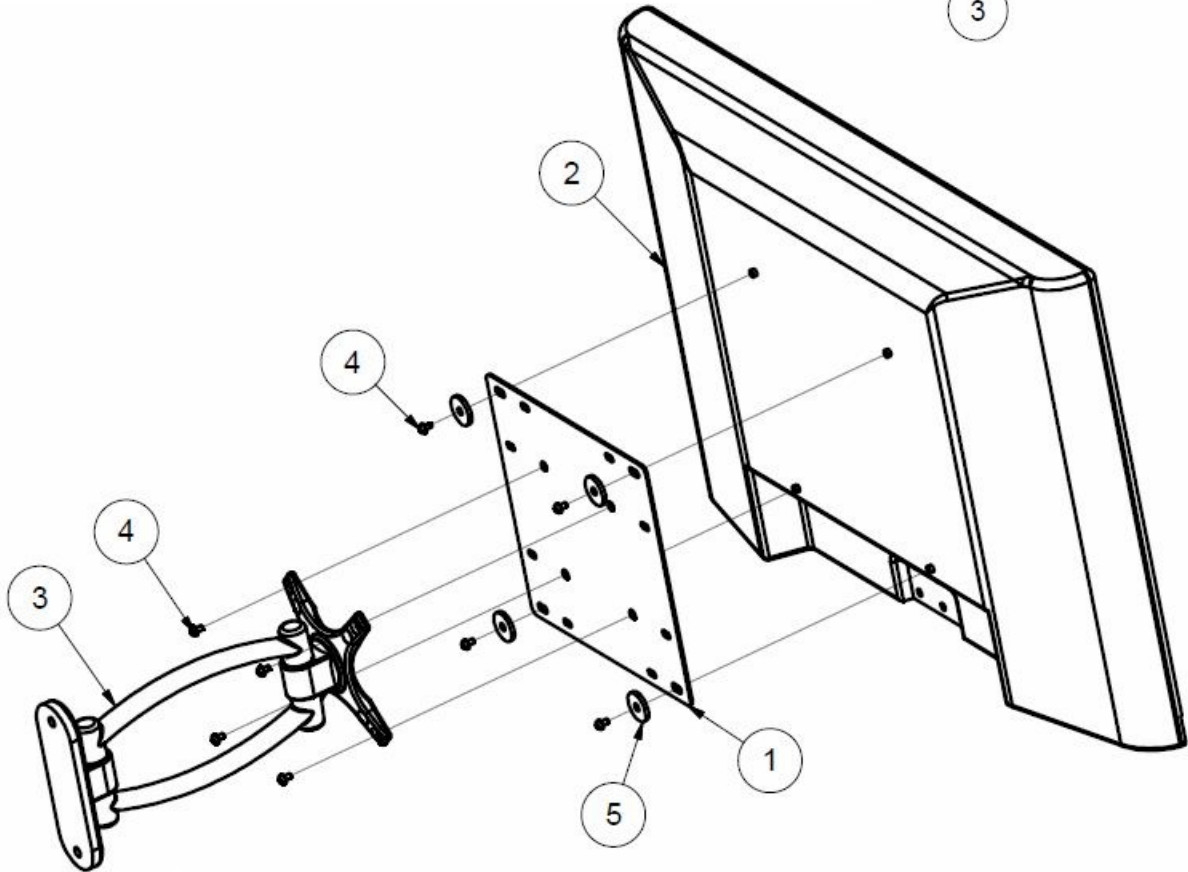
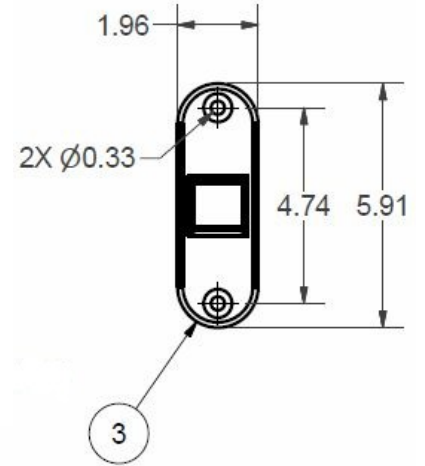
ATTACH PD181-672 (1) PLATE TO CV2600 (2) TV USING FOUR PDIPPHMSM4X76 (4) SCREWS AND FOUR PDI1177 (5) WASHERS.

STEP 2:

ATTACH PD181-701 (3) MOUNT TO THE WALL USING SUPPLIED FASTENERS.

STEP 3:

ATTACH PD181-701 (3) MOUNT TO PD181-672 (1) PLATE USING FOUR PDIPPHMSM4X76 (4) SCREWS.



Parts List			
ITEM	QTY	PART NUMBER	DESCRIPTION
1	1	PD181-672	200MM TO 100MM ADAPTER PLATE
2	1	CV2600	NOT INCLUDED WITH MOUNT
3	1	PD181-701	WALL MOUNT FLAT PANEL TV - 40LBS
4	8	PDIPPHMSM4X76	M4-.7 X 6mm PPHMS
5	4	PDI1177	STEEL WASHER