

TOOL LIST:

- 1) P1 or P2, phillips screw driver
- 2) Safety glasses/goggles
- 3) 3/8" socket wrench

SAFETY STEPS:

- 1) Always wear safety glasses/goggles to prevent injury from debris.
- 2) Follow the installation/removal instructions for your existing products.

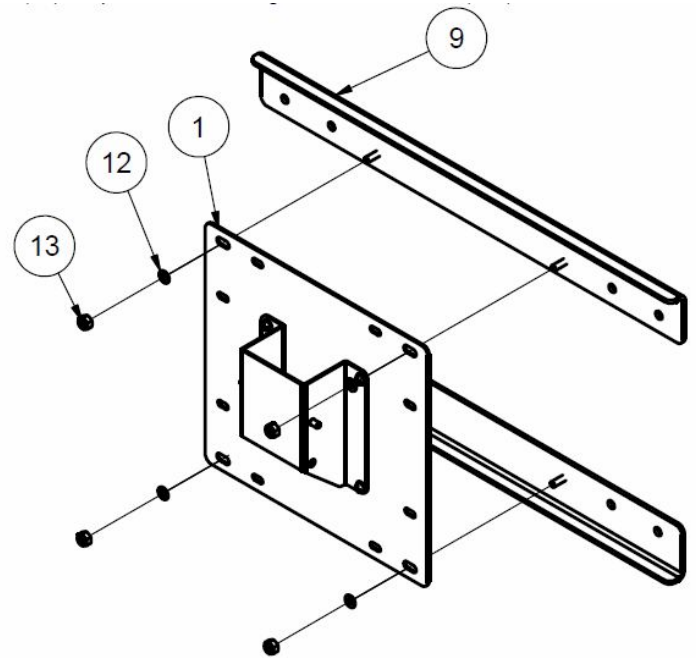
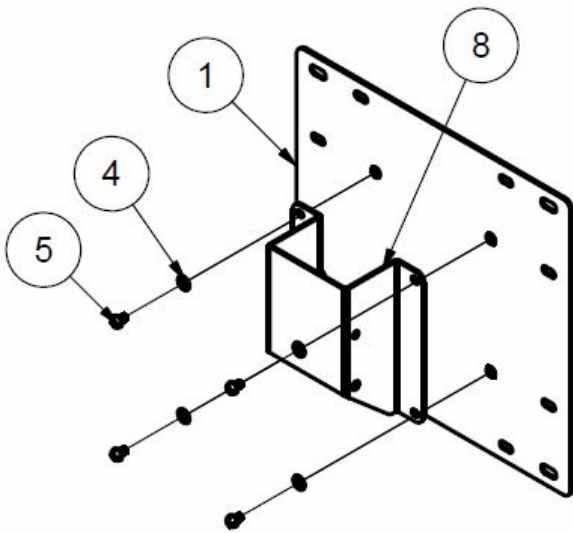
PROCEDURE:

STEP 1:


Attach the PD181-596 mounting bracket (#8) to the PD181-672 plate (#1) using four PDIPPHMSM4x76 screws (#5) and four PDIITLW10 washers (#4). Make sure the PD181-596 mounting bracket (#8) is attached to the side of the PD181-672 plate (#1) with the four round ends of the M4 inserts. The side with the four hex ends will go towards the back of the set.

STEP 2:

Attach parts previously assembled on step #1 to PD181-714 (#9) adaptor brackets using four PDINILN1032 (#13) nuts and four PDIFW10 (#12) washers.

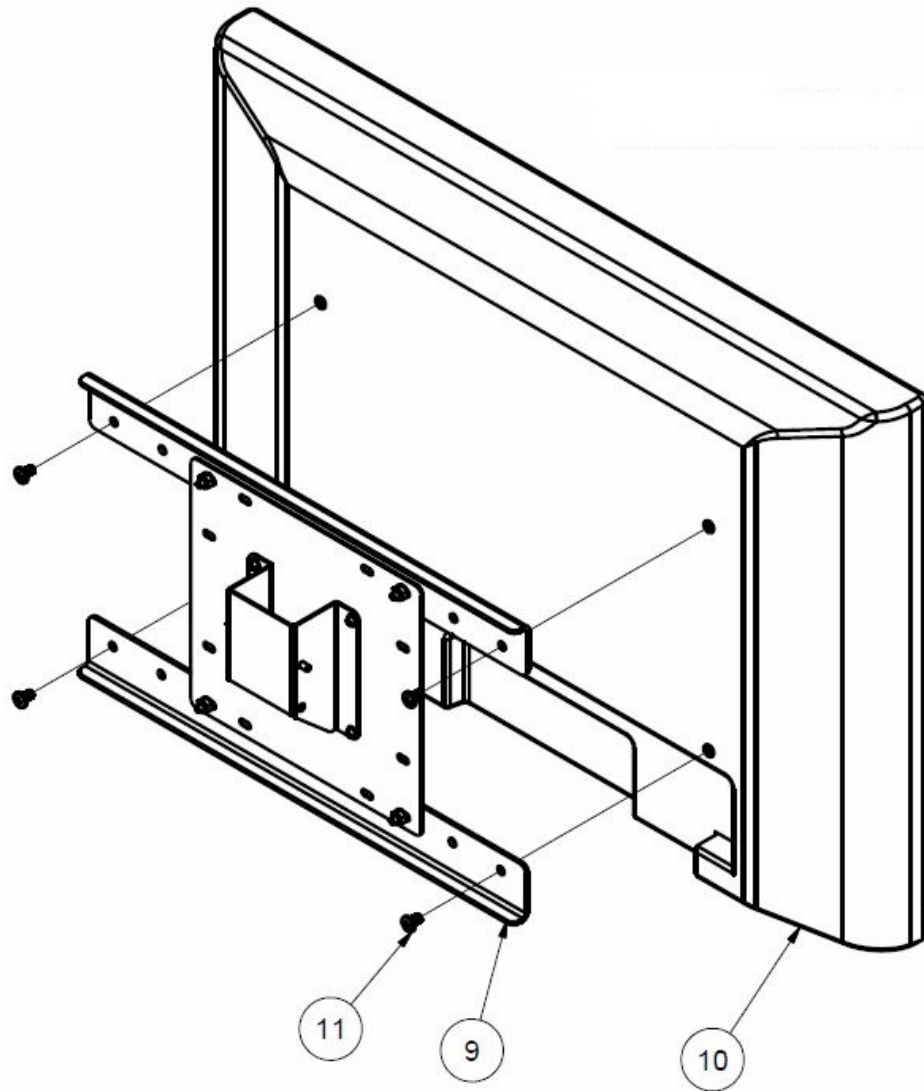


Parts List			
ITEM	QTY	PART NUMBER	DESCRIPTION
1	1	PD181-672	200MM TO 100MM ADAPTER PLATE
2	1	PD181-674	HD EXTENDED LCD TILT CLEVIS
3	2	PDIPPHMS103238	10-32 x .375 PHILLIPS PAN HEAD MACHINE SCREW
4	6	PDIITLW10	#10 INTERNAL TOOTH LOCK washer
5	8	PDIPPHMSM4X76	M4-.7 X 6mm PPHMS
6	2	PDIFW 25	1/4" flat washer
7	1	DISLW25	LOCK WASHER 1/4 SPLIT
8	1	PD181-596	MOUNTING BRACKET FOR PDI LCD
9	2	PD181-714	200x400 mm ADAPTOR BRACKET
10	1	CV3200	NOT INCLUDED WITH MOUNT
11	8	PDIPPHMSM6X110	M6 X1 10mm PHILLIPS SCREW
12	4	PDIFW10	#10 FLAT WASHER
13	4	PDINILN1032	10-32 NYLOC

	MODEL NUMBER: PD168-204	Document Number: PD196-182R3
	PD168-033 Kit Plus 200x400 Adaptor Brackets	Page 2 of 3

STEP 3:

Attach PD181-714 (9) adaptor plates to CV3200 (10) TV using four PDIPPHMSM6X110 (11) screws.



Parts List			
ITEM	QTY	PART NUMBER	DESCRIPTION
1	1	PD181-672	200MM TO 100MM ADAPTER PLATE
2	1	PD181-674	HD EXTENDED LCD TILT CLEVIS
3	2	PDIPPHMS103238	10-32 x .375 PHILLIPS PAN HEAD MACHINE SCREW
4	6	PDIIITLW10	#10 INTERNAL TOOTH LOCK washer
5	8	PDIPPHMSM4X76	M4-.7 X 6mm PPHMS
6	2	PDIFW 25	1/4" flat washer
7	1	PDISLW25	LOCK WASHER 1/4 SPLIT
8	1	PD181-596	MOUNTING BRACKET FOR PDI LCD
9	2	PD181-714	200x400 mm ADAPTOR BRACKET
10	1	CV3200	NOT INCLUDED WITH MOUNT
11	8	PDIPPHMSM6X110	M6 X1 10mm PHILLIPS SCREW
12	4	PDIFW10	#10 FLAT WASHER
13	4	PDINILN1032	10-32 NYLOC

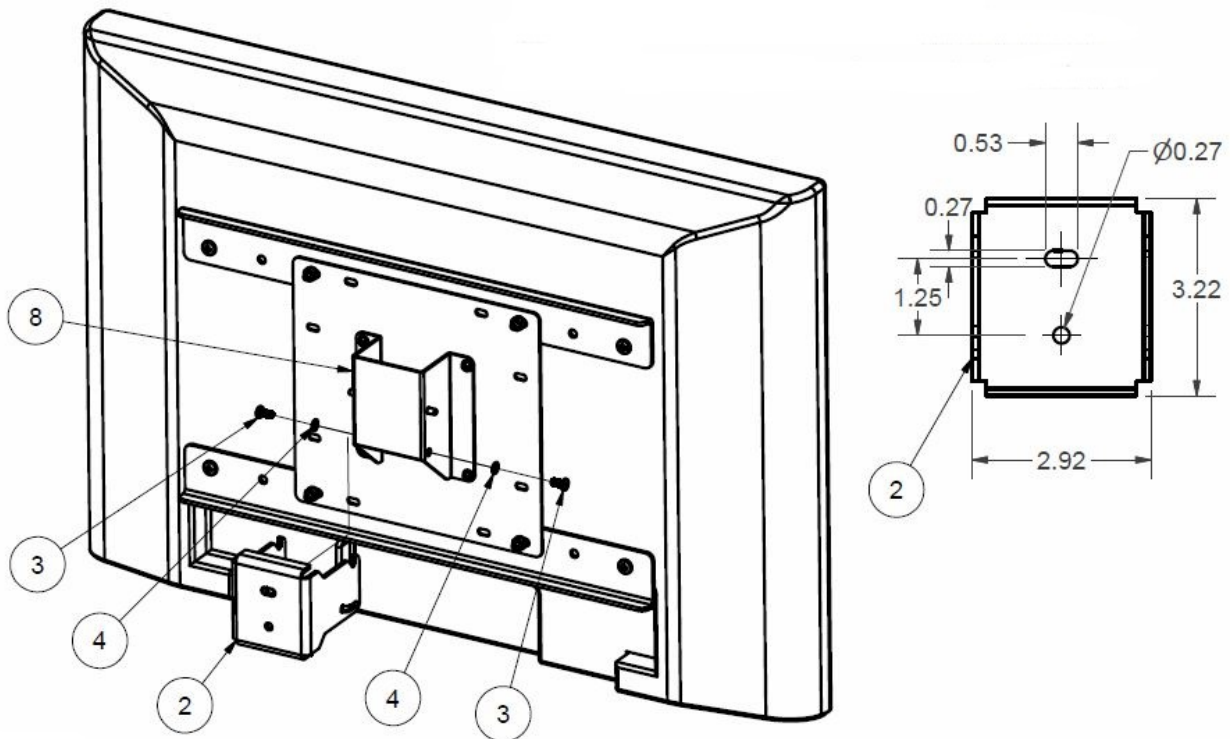
STEP 4:

Attach the PD181-674 mount (#2) to the wall using customer supplied 1/4" fasteners.

Place one PDIFW25 (#6) washer and one PDISLW25 (#7) lock washer on the top fastener and thru top slot in the bracket.

Place the remaining PDIFW25 (#6) washer in the bottom mounting fastener.

Level the bracket using top leveling slot and finish tightening fasteners.



STEP 5:

Carefully lift the set up and position PD181-596 bracket (#8) inside the sides of PD181-674 mount (#2), allowing the two side support pins of PD181-596 bracket (#8) to rest in the two notches at the front of PD181-674 mount (#2). Adjust the tilt and secure PD181-596 bracket (#8) to PD181-674 mount (#2) using two PDIPPHMS103238 screws (#3) and two PDIITLW10 washers (#4).

Parts List			
ITEM	QTY	PART NUMBER	DESCRIPTION
1	1	PD181-672	200MM TO 100MM ADAPTER PLATE
2	1	PD181-674	HD EXTENDED LCD TILT CLEVIS
3	2	PDIPPHMS103238	10-32 x .375 PHILLIPS PAN HEAD MACHINE SCREW
4	6	PDIITLW10	#10 INTERNAL TOOTH LOCK washer
5	8	PDIPPHMSM4X76	M4-.7 X 6mm PPHMS
6	2	PDIFW 25	1/4" flat washer
7	1	PDISLW25	LOCK WASHER 1/4 SPLIT
8	1	PD181-596	MOUNTING BRACKET FOR PDI LCD
9	2	PD181-714	200x400 mm ADAPTOR BRACKET
10	1	CV3200	NOT INCLUDED WITH MOUNT
11	8	PDIPPHMSM6X110	M6 X1 10mm PHILLIPS SCREW
12	4	PDIFW10	#10 FLAT WASHER
13	4	PDINILN1032	10-32 NYLOC