

TOOL LIST:

1. P1 or P2 Phillips screwdriver
2. Safety glasses/goggles
3. 3/8" socket wrench
4. Level

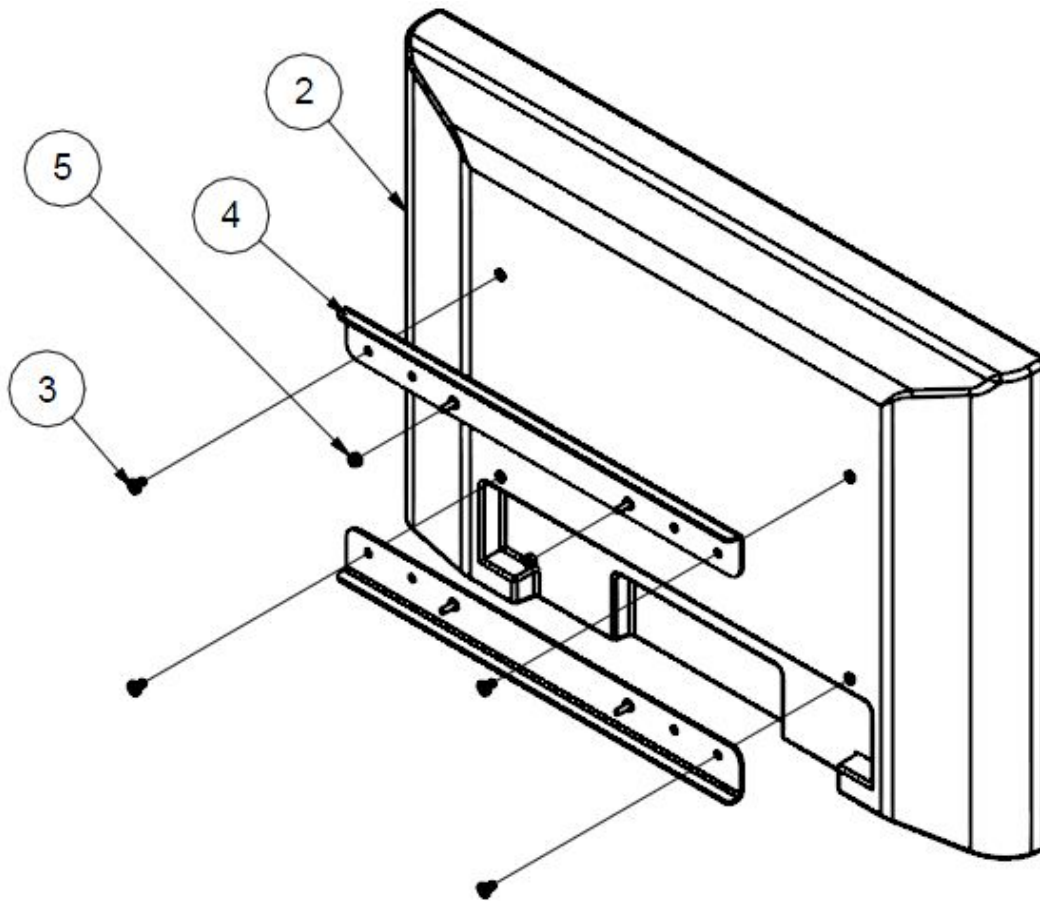
SAFETY STEPS

1. Always wear safety glasses/goggles to prevent injury from debris.
2. Follow the installation/removal instructions for your existing products.

PROCEDURE:

STEP 1:

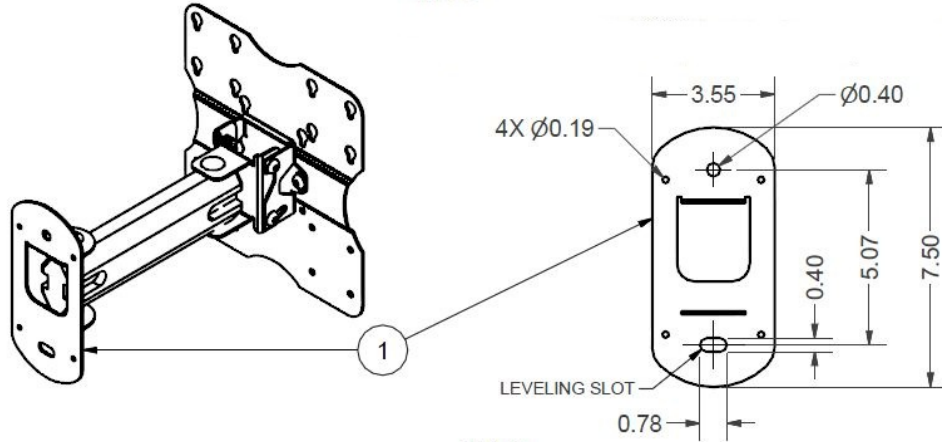
Attach PD181-714 brackets (#4) to CV3200 TV (#2) using four PDIPPHMSM6x110 screws (#3). Thread two PDINILN1032 nuts (#5) into the studs on the upper PD181-714 bracket (#4). Do not tighten these nuts yet.



Parts List			
ITEM	QTY	PART NUMBER	DESCRIPTION
1	1	PD181-707	WALL MOUNT FLAT PANEL TV
2	1	CV3200	NOT INCLUDED WITH MOUNT
3	4	PDIPPHMSM6X110	M6 X1 10mm PHILLIPS SCREW
4	2	PD181-714	200x400 mm ADAPTOR BRACKET
5	4	PDINILN1032	10-32 NYLOC

STEP 2:

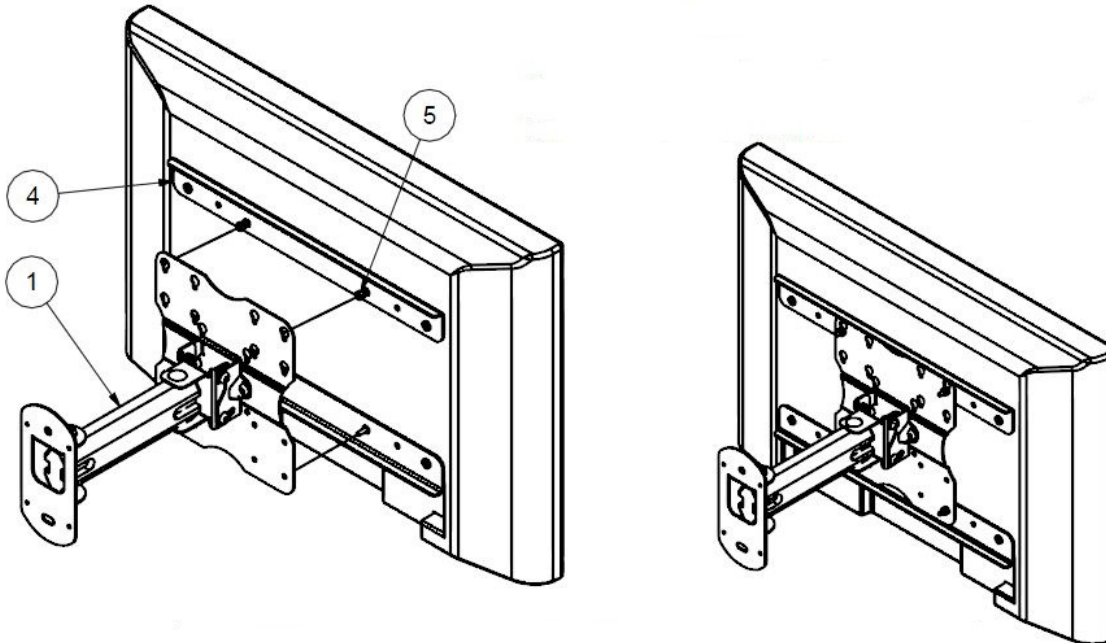
Attach the PD181-707 mount (1) to the wall using supplied fasteners.
Using a level, and the leveling slot, make sure the mount plate is vertical.



STEP 3:

Insert PD181-714 (4) bracket to PD181-707 (1) mount by carefully aligning PDINILN1032 (5) nut through the keyhole on the main plate of PD181-707 mount.

Finally, tighten PDINILN1032 (5) nuts on both the top and the bottom adaptor bracket PD181-714 (4).



Parts List

ITEM	QTY	PART NUMBER	DESCRIPTION
1	1	PD181-707	WALL MOUNT FLAT PANEL TV
2	1	CV3200	NOT INCLUDED WITH MOUNT
3	4	PDIPPHMSM6X110	M6 X1 10mm PHILLIPS SCREW
4	2	PD181-714	200x400 mm ADAPTOR BRACKET
5	4	PDINILN1032	10-32 NYLOC