 PDi Communication Systems, Inc. <i>Better Solutions Are Within Reach®</i>	MODEL NUMBER: <h2 style="text-align: center;">PD168-205</h2>	Document Number: PD196-184R2
	200x400mm VESA Adaptor Bracket Installation	Page 1 of 1

SCOPE:

To attach a CV3200 LCD TV to an existing 200mm VESA pattern mount.

TOOL LIST:

- 1) P1 or P2, phillips screw driver
- 2) Safety glasses goggles
- 3) 3 8" socket wrench

SAFETY STEPS:

- 1) Always wear safety glasses goggles to prevent injury from debris.
- 2) Follow the installation removal instructions for your existing products.

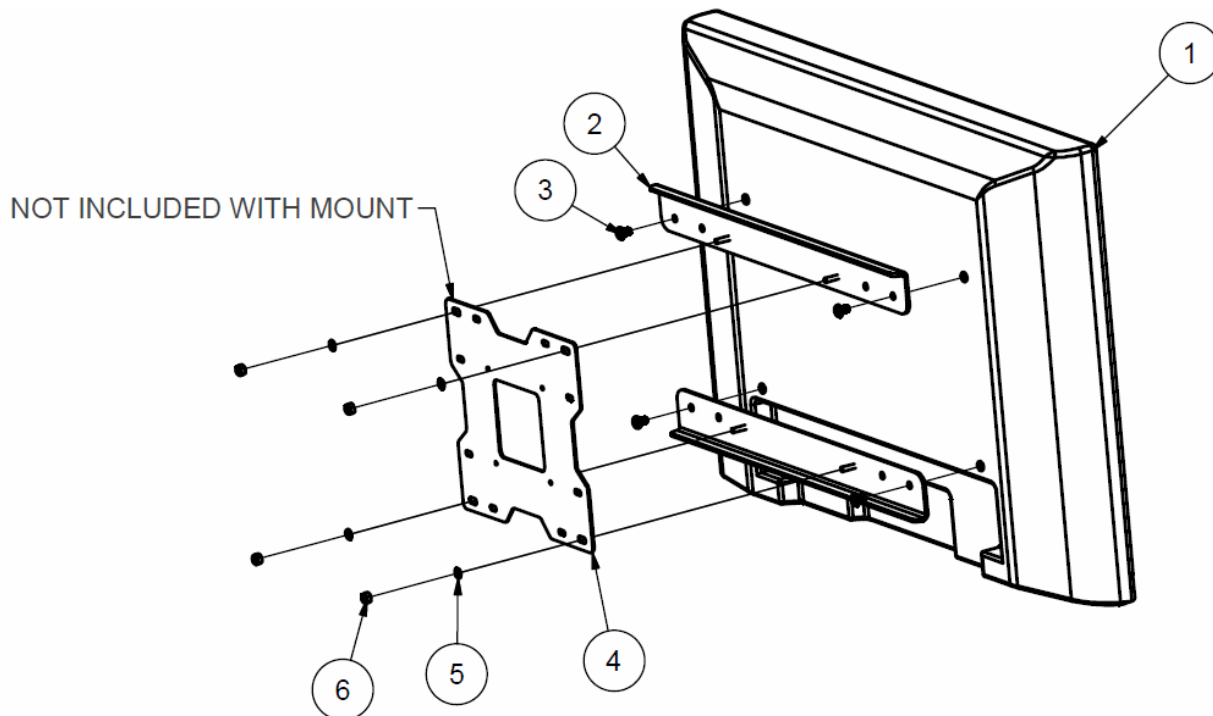
PROCEDURE:

STEP 1:

Attach PD181-714 bracket (2) to CV3200 TV (1) using four PDIPPHMSM6x110 screws (3).

STEP 2:

Attach 200mm plate (4) to PD181-714 bracket (2) using four PDINILN1032 nuts (6) and four PDIFW10 (5) washers.



Parts List			
ITEM	QTY	PART NUMBER	DESCRIPTION
1	1	CV3200	NOT INCLUDED WITH MOUNT
2	2	PD181-714	200x400 mm ADAPTOR BRACKET
3	4	PDIPPHMSM6X110	M6 X1 10mm PHILLIPS SCREW
4	1	PEERLESS 200mm ADAPTER PLATE	NOT INCLUDED WITH MOUNT
5	4	PDIFW10	10 FLAT WASHER
6	4	PDINILN1032	10-32 NYLOC