 PDI Communication Systems, Inc. <i>Better Solutions Are Within Reach®</i>	MODEL NUMBER: <p style="text-align: center;">PD168-049</p>	Document Number: PD196-188R2
	Computer Mount Assembly/Installation Instructions	Page 1 of 2

Scope:

To install the adjustable computer mount to a PDI-886.

TOOL LIST:

- 1) Safety glasses goggles
- 2) P1 phillips screwdriver
- 3) Medium straight blade screwdriver

SAFETY STEPS:

- 1) Always wear safety glasses goggles to prevent injury from debris.
- 2) Follow the installation removal instructions for your existing products.

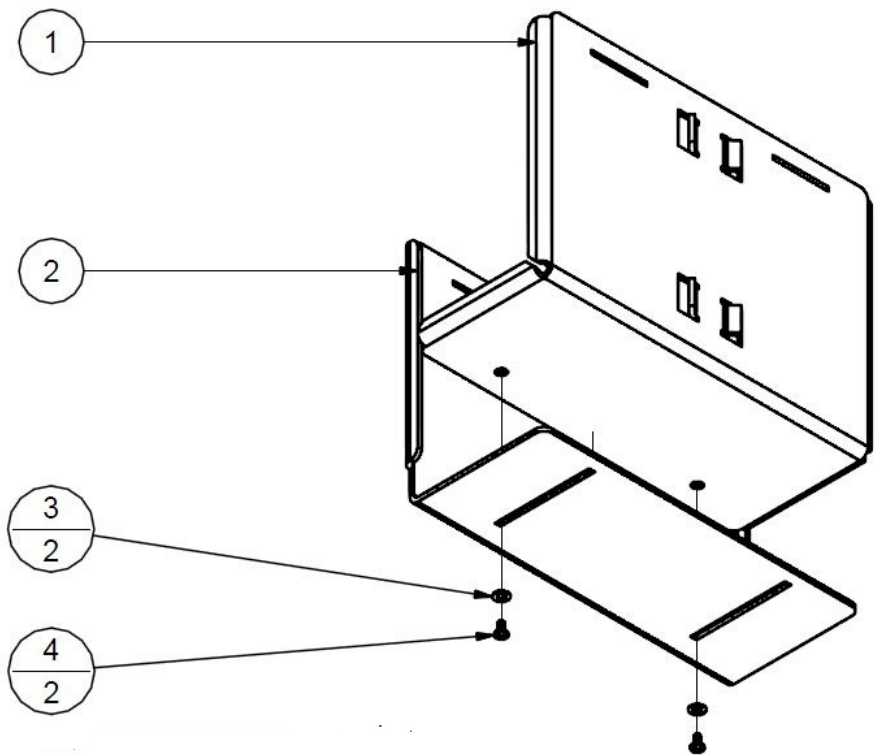
PARTS LIST:

- 1) PD181-730
- 2) PD181-731
- 3) PDIPPHMS83231 (2 pieces)
- 4) PDIFW10 (2 pieces)
- 5) PD185-008 (2 pieces)


PROCEDURE:

STEP 1:

Attach PD181-730 to the PD181-731, as shown in the drawing, with 2 PDIPPHMS83231 screws and 2 PDIFW10 washers.



Parts List			
ITEM	QTY	PART NUMBER	DESCRIPTION
1	1	PD181-730	COMPUTER MOUNT, BASE
2	1	PD181-731	COMPUTER MOUNT, CLAMP
3	2	PDIFW10	10 FLAT WASHER
4	2	PDIPPHMS83231	8-32 x 5 16 PPHMS
5	2	PD185-008	3-1 2" SST BAND CLAMP

 PDi <small>Communication Systems, Inc.</small> <i>Better Solutions Are Within Reach®</i>	MODEL NUMBER: <p style="text-align: center;">PD168-049</p>	Document Number: PD196-188R2
	Computer Mount Assembly/Installation Instructions	Page 2 of 2

STEP 2:

Install the 2 PD185-008, band clamps, thru the mounting slots of the computer mount as pictured. Do not tighten calmps, just start them.

STEP 3:

Slip the assembly down over the top of the PDI-886C, floor mount. Position at the desired height and orientation for use. Tighten the PD185-008, band clamps, securely.

STEP 4:

Position the computer or thin client in the mounting bracket as pictured. Adjust the mount width to securely hold the unit in the mount.

NOTE: This mount has provisions for nylon straps to be added to more securely hold the unit in the mount. These straps are not provided by PDI and would be purchased by the end user.

