



This symbol indicates that dangerous voltage constituting a risk of electric shock is present within this unit.



This symbol indicates that there are important operating and maintenance instructions in the literature accompanying this unit.

**CAUTION**

RISK OF ELECTRIC SHOCK,
DO NOT OPEN!



CAUTION: TO REDUCE THE RISK OF ELECTRIC SHOCK, DO NOT REMOVE COVER. NO USER SERVICEABLE PARTS INSIDE. REFER SERVICING TO QUALIFIED SERVICE PERSONNEL

THIS INSTALLATION SHOULD BE MADE BY A QUALIFIED SERVICE PERSON AND SHOULD CONFORM TO ALL LOCAL CODES. READ AND FOLLOW THE SAFETY INSTRUCTIONS BEFORE ATTEMPTING THIS INSTALLATION.

NOTE to CATV system installer: This reminder is provided to call the CATV system installer's attention to Article 820-40 of the NEC that provides guidelines for proper grounding and, in particular, specifies that the cable ground shall be connected to the grounding system of the building, as close to the point of cable entry as practical.

Minimum Installation Requirements:

Arm model notes:

Approved arm model = PDI-1000 series arm
Contact your PDI distributor for a list of model numbers.

Wall construction notes:

1. Wall studs are to be wood, with a 2x4 minimum size and be spaced 16" on centers.
2. Stud orientation shall be with the "4" dimension perpendicular to the surface plasterboard.
3. The surface plasterboard shall have a maximum thickness of 5/8".

Notes for installation of PDI backer plates:

1. Attaching fasteners will be 1/4" lag for the wood studs that provide a minimum of 2-1/2" engagement with the wood studs.

Additional notes:

At the time of this printing, these configurations have been evaluated and tested by Underwriters Laboratories. Other means of mounting may be potentially hazardous.

Scope:

To properly install the PDI-180C wall bracket to a support wall.

TOOL LIST:

- 1) Safety glasses/goggles
- 2) 5/32 hex key or hex bit with driver
- 3) Wire stripper/crimper
- 4) Drill and appropriate bits for installation fasteners.

Safety steps:

- 1) Always wear safety glasses/goggles to prevent injury from debris.
- 2) Follow the installation/removal instructions for your existing products.

STEP 1: GUIDELINES

A. LOCATION - Make certain that the wall bracket mounting location allows for rear coax cable and ground wire entry through the wall to the back of the wall casting. Also position the wall bracket at a mounting height of 47±2". See Figure 1.

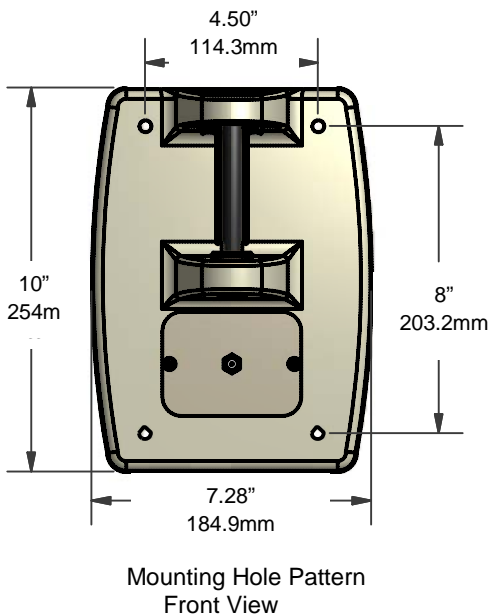
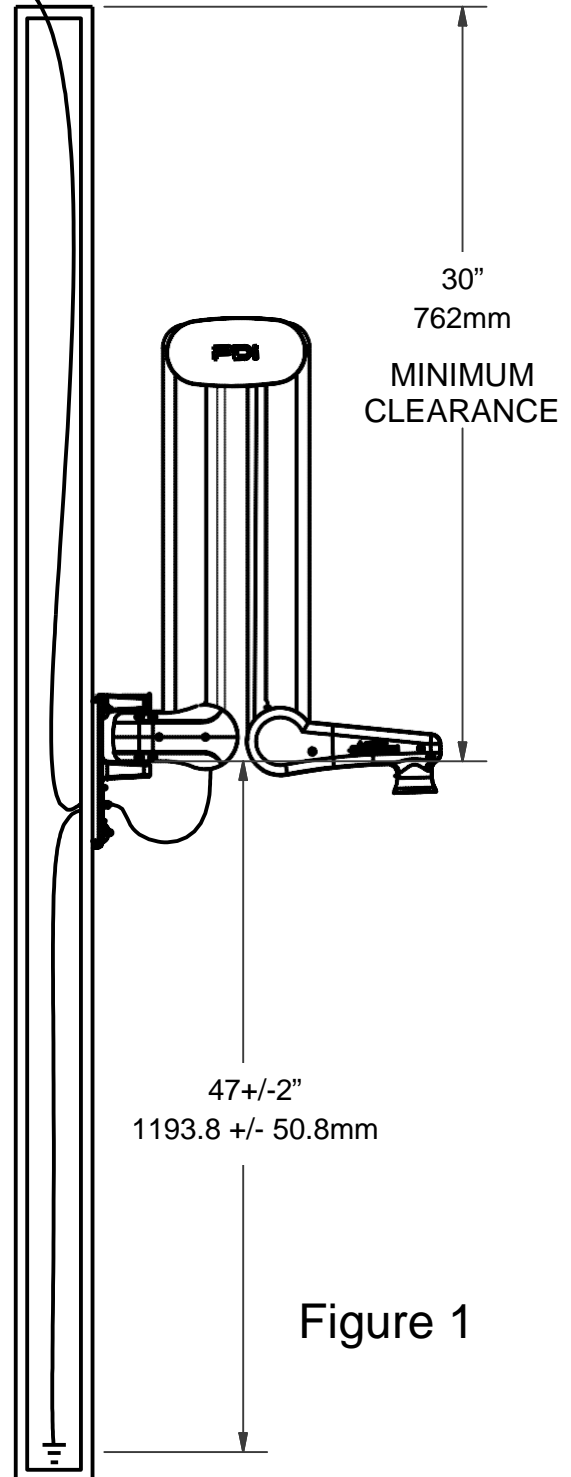
B. WALL STRENGTH - The wall bracket mounting instruction cover the most desirable mounting method, back-to-back bracket mounting, plus some other recommended methods depending upon wall construction. **IN ALL CASES** the wall construction must be able to support a minimum loading of **350 PSI** applied perpendicular to the mounting hole locations by compression or tension. Some wall construction may require internal bracing to accept the minimum loading required.

C. HARDWARE REQUIREMENTS - Mounting fasteners for installation are NOT supplied with the wall bracket. Finishing Cap Covers and Cap Washers are supplied with the wall mount.

1. All threaded rods, bolts or machine screws will be ¼"-20UNC-2A thread or equivalent.
2. The back-up plate is a 6-1/2" x 10", 11 gauge metal plate, with four 9/32" holes that coincide with the wall bracket. A pre-fabricated backing plate, PDI-218, is available directly from PDI.
3. All threaded rods will be finished off with a ¼ -20 acorn nut.

D. TOTAL WEIGHT of the PDI 19" receiver and support arm system is 41 lbs (18.6 kg.) approximately.

Coax Cable
From Central PS



Grounding Screw & Grounding Lug
Rear View

Figure 1

BACK-TO-BACK MOUNTING

Refer to Figure 2.

1. Position the mount so the bolt pattern straddles an interior wall stud and allows for rear coax cable and ground wire entry through the wall to the back of the wall casting. Adjust the mounting height to a distance of 47 ± 2 " from the floor to top of pivot hole as shown in figure 1.

C a u t i o n : It is also important that the mounting location be approximately 15" from the edge of the patient's bed. Please note also that the suspension arm requires a minimum clearance distance of 30" from ceiling to the top of the wall bracket. A check with the contractor/architect or Hospital Engineering Department regarding hidden objects behind the wall should be made before proceeding with this installation and final operation of the arm assembly.

2. Place a spirit level along the top surface of wall mount pivot hole (fig. 1) and adjust for a true horizontal position. Then mark the location of the mounting holes.

3. Drill the top holes completely through the wall with a 9/32" bit.

4. Drill the bottom mounting holes half-way through the wall and complete the holes from the opposite side.

NOTE: All holes must be drilled perpendicular to the wall so that they are spaced 4-1/2" on horizontal centers and 8" on vertical centers on the opposite side of the wall.

5. Route the coax through the front opening and secure the ground wire. Place a hex nut 5/16" on one end of each 1/4" threaded rod through the top mounting holes and through the top wall holes. Hold the wall bracket and rods in place and have an assistant fasten the mounting bracket in the opposite wall through the top holes using hex nuts. Tighten the nuts to a snug fit. (See sheet 2 of instructions)

6. Cut the threaded rods 5/16" from the outside surface of the hex nut. Install and tighten cap nuts on rods.

7. Insert the additional threaded rods through the bottom mounting holes. Fasten, cut, and finish the rods as previously described in steps 5 and 6.

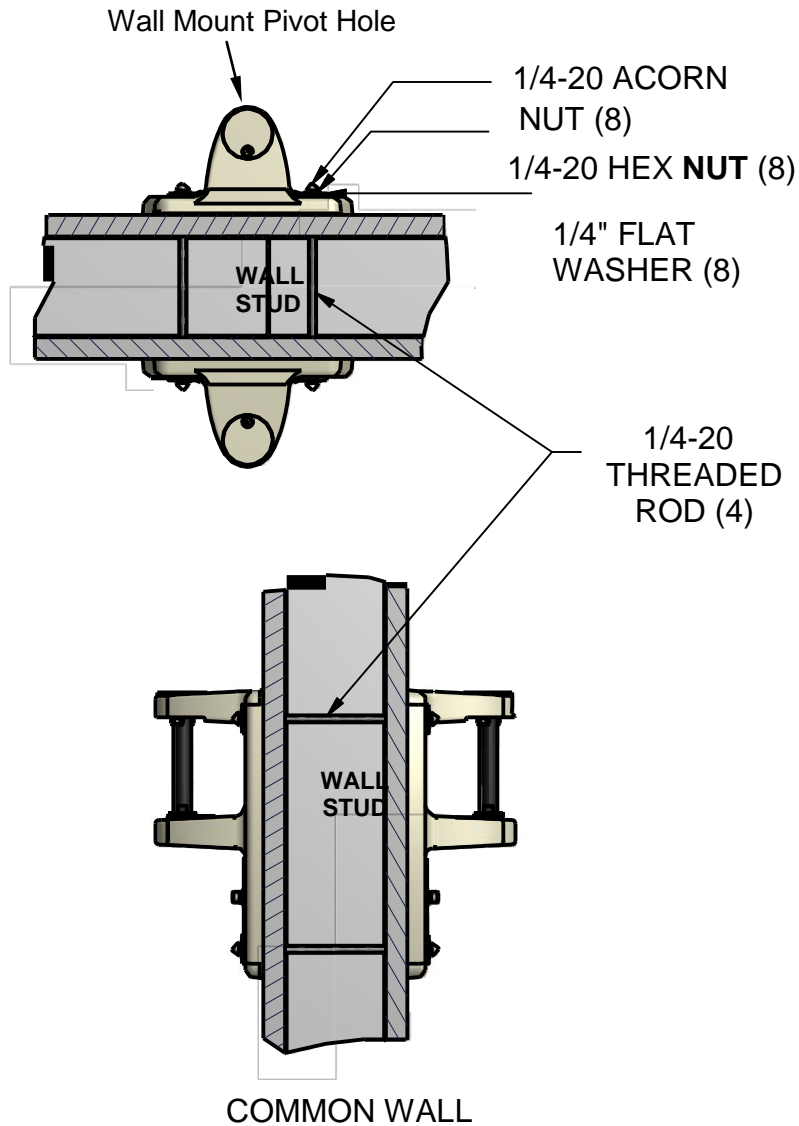


Figure 2.

Wiring Not Shown for Clarity

BACK-UP PLATE MOUNTING

Refer to Figures 3 and 4.

1. Complete the first four steps 1 through 4 as previously describe under "BACK-TO-BACK MOUNTING."

2. Route the coax through the front opening and secure the ground wire. Place a hex nut 5/16" from one end of threaded rod. Tighten cap nuts on rods so that the nut faces are even. Insert the threaded rods through the top and bottom mounting holes.

3. Hold the rods in place and have an assistant place and secure the back-up plate to the opposite wall using hex nuts. Cut the threaded rods 5/16" from the outside surface of the hex nuts. Install and tighten acorn nuts on rods.

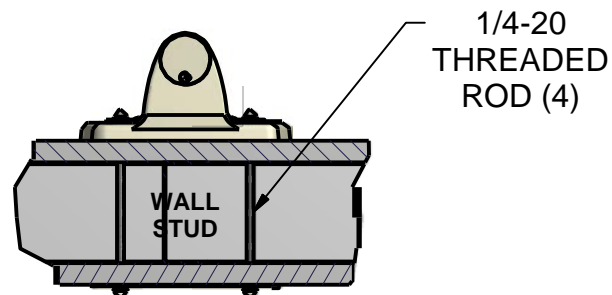
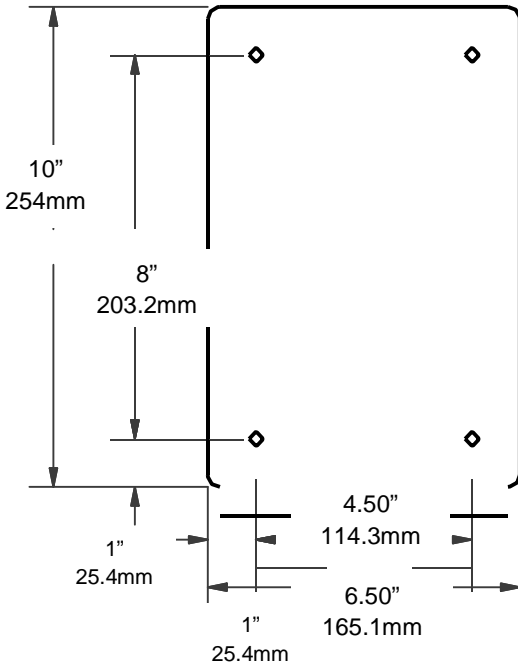


Figure 3.



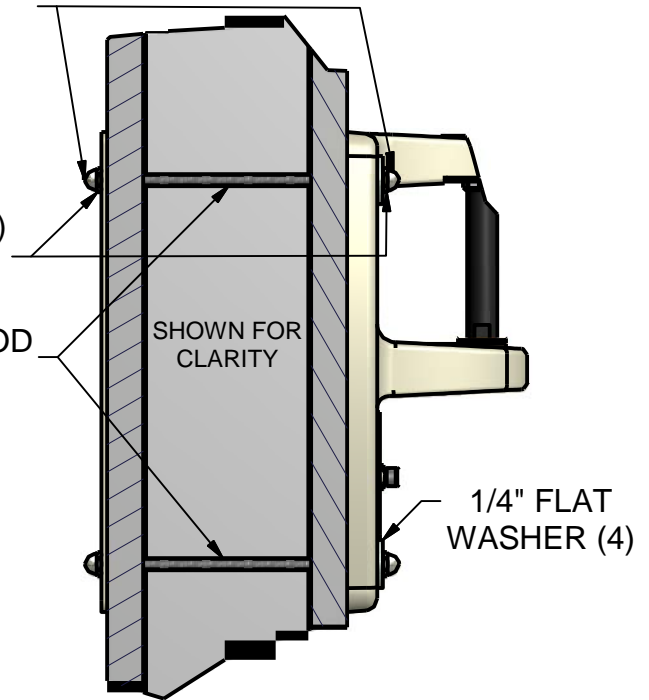
**PDI-218
BACKUP PLATE**



1/4-20 ACORN NUT (8)

1/4" HEX NUT (8)

1/4-20 THREADED ROD
(4)



OTHER MOUNTING METHODS

There are other methods to mount the wall bracket, but the **PREFERRED** mounting is a back-to-back system or back-up plate system as described. The mounting method used must meet the requirements as described in **GENERAL GUIDELINES**. The following mounting methods may be used if the previously listed precautions are adhered to.

1. SOLID CONSTRUCTION WALLS - Concrete, brick, and some types of cement block, cement expansion anchors can be used.



Special tests should be performed on the wall before installation of the expansion anchors in the area of the bracket mounting location. Proof test the load for the anchors to 1600 inch-pounds in tension.

It is the responsibility of the architect and/or structural engineer, in general responsible charge of the project, to sign and submit the necessary calculations that show the adequacy of the wall where the TV arm and mounting bracket will be installed. Drill four, 3/8" diameter holes that correspond to the wall bracket mounting bolt pattern to a minimum depth of 2 1/2". Install four 3/8" x 2 1/2" HILTI KWIK BOLT cement anchors. Position the wall bracket over the exposed mounting holes. Thread bolt and washer through bracket and into hole. Tighten all bolts.

2. FABRICATED BACKING PLATE - A fabricated plate is used that holds welded-on or pressed-in studs. The studs (1/4"-20UNC-2A) would be located on hole centers that coincide with the wall bracket. The plate is then secured to the wall studs. A prefabricated plate PDI-254I or PDI-254I-24 is available from PDI see figure 5. An external plate is also available. Consult the backing plate instructions packed with each plate for installation details.

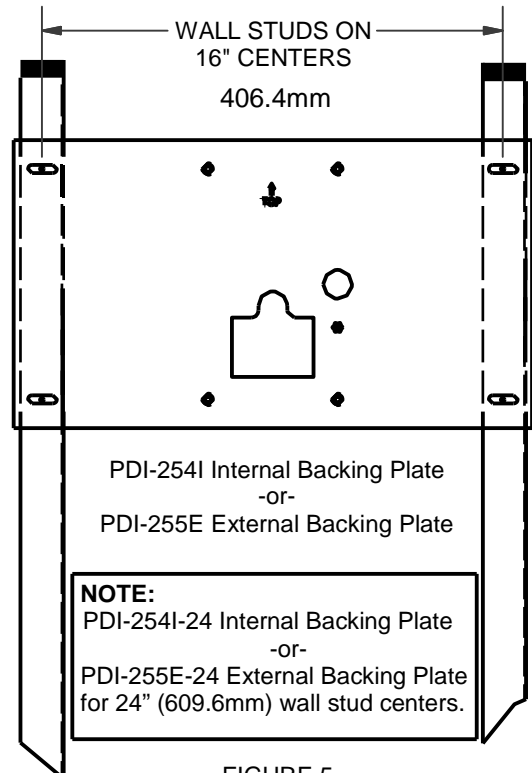
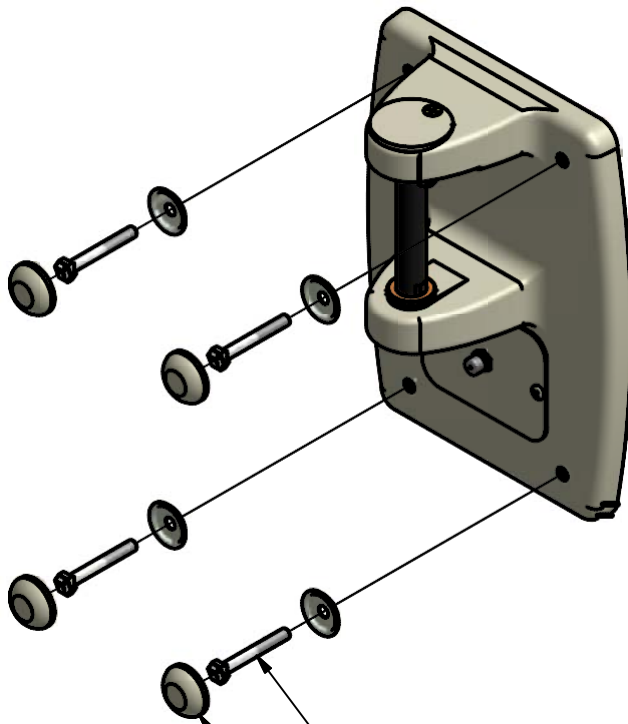


FIGURE 5.

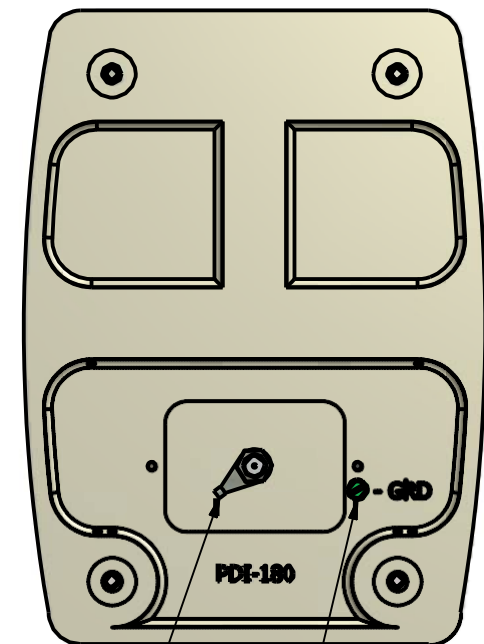
Required Fasteners:

The required mounting fasteners are to be supplied by the installer. These fasteners are to be 1/4" (6.35mm) diameter and of Grade 5 or better material. Attachment to a PDI-254I or PDI-255E series backer plate requires 1/4-20 UNC threaded fasteners. PDI does supply the cosmetic cap cover kits with the wall brackets.



FOUR MOUNTING FASTENERS
ARE SUPPLIED BY INSTALLER

CAP COVER KIT (8 PIECES)
SUPPLIED BY BY PDI



PDI-757

PDI-192

GROUNDING CONNECTION DETAIL

TO GROUND THE BRACKET AND COAXIAL CONNECTOR PLATE

Note: The bracket and coaxial connector plate must be grounded using the supplied PDI-192 green ground screw, and the PDI-757 grounding lug shown in the "GROUNDING CONNECTION DETAIL" above.