

Scope:

To attach a CV3700 LCD TV to an **EXISTING 200mm VESA pattern mount.**

TOOL LIST:

- 1) P1 or P2, phillips screw driver.
- 2) Safety glasses/goggles.
- 3) 3/8" socket wrench.

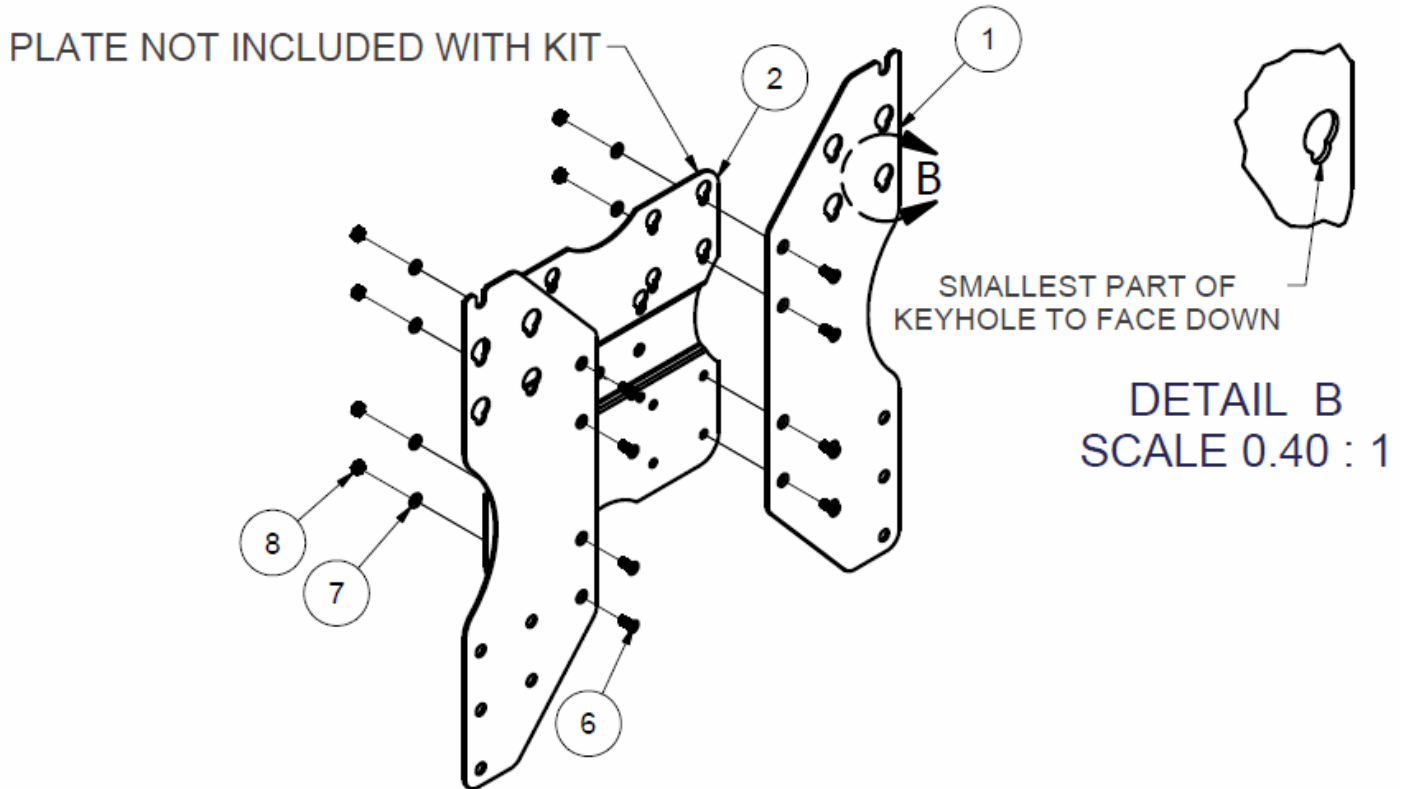
Safety steps:

- 1) Always wear safety glasses/goggles to prevent injury from debris.
- 2) Follow the installation/removal instructions for your existing products.


PROCEDURE:

STEP 1:

Attach PD181-729 brackets (#1) to **EXISTING** 200 mm Mount (#2) using eight M5 x 12mm sunk screws (#6), eight M5 flat washers (#7), and eight M5 Hex nuts (#8).



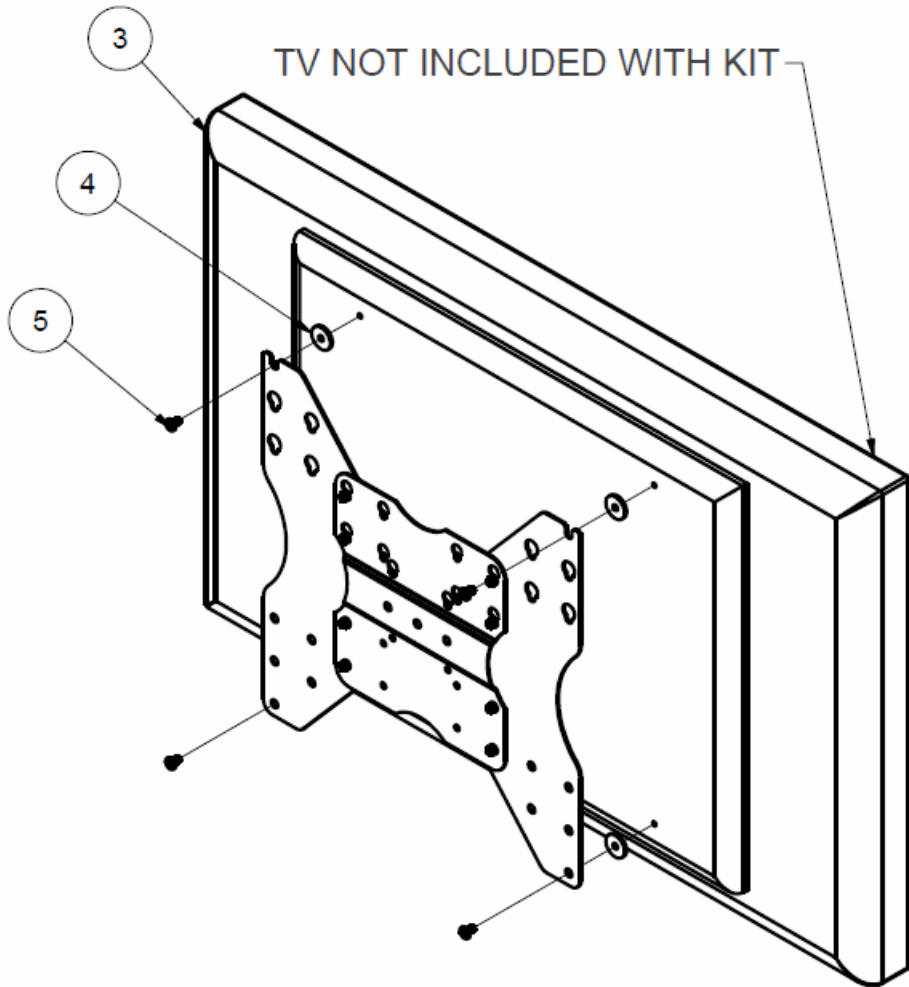
Parts List			
ITEM	QTY	PART NUMBER	DESCRIPTION
1	1	PD181-729	ADAPTER PLATE - 400mm X 400mm
2	1	EXISTING 200mm VESA MOUNT	NOT INCLUDED WITH MOUNT
3	1	CV3700	NOT INCLUDED WITH MOUNT
4	4	PDI1177	STEEL FLAT WASHER
5	4	M6 X 10mm PPHMS	M6 X1 10mm PHILLIPS SCREW
6	8	M5 X 12mm PPHMS	M5 X.8 12mm PHILLIPS SCREW
7	8	M5 WASHER	M5 FLAT WASHER
8	8	M5 HEX NUT	M5 HEX NUT

 PDi Communication Systems, Inc. <i>Better Solutions Are Within Reach®</i>	MODEL NUMBER: PD168-207	Document Number: PD196-203R2
	(400mm Vesa Mounting Adapter) Install Instructions	Page 2 of 2

PROCEDURE:

STEP 2:

Attach previously assembled parts to CV3700 (#3) using four PDIPPHMSM6X110 screws (#5) and four PDI1177 steel flat washers (#4).



Parts List			
ITEM	QTY	PART NUMBER	DESCRIPTION
1	1	PD181-729	ADAPTER PLATE - 400mm X 400mm
2	1	EXISTING 200mm VESA MOUNT	NOT INCLUDED WITH MOUNT
3	1	CV3700	NOT INCLUDED WITH MOUNT
4	4	PDI1177	STEEL FLAT WASHER
5	4	M6 X 10mm PPHMS	M6 X1 10mm PHILLIPS SCREW
6	8	M5 X 12mm PPHMS	M5 X.8 12mm PHILLIPS SCREW
7	8	M5 WASHER	M5 FLAT WASHER
8	8	M5 HEX NUT	M5 HEX NUT