 PDi Communication Systems, Inc. <i>Better Solutions Are Within Reach®</i>	MODEL NUMBER: PD168-208	Document Number: PD196-204R2
	(400mm Vesa Mounting Bracket) Install Instructions	Page 1 of 2

Scope:

To attach a CV3700 LCD TV to a PD181-707 mount.

TOOL LIST:

- 1) P1 or P2, Phillips screw driver
- 2) Safety glasses/goggles
- 3) 3/8" socket wrench

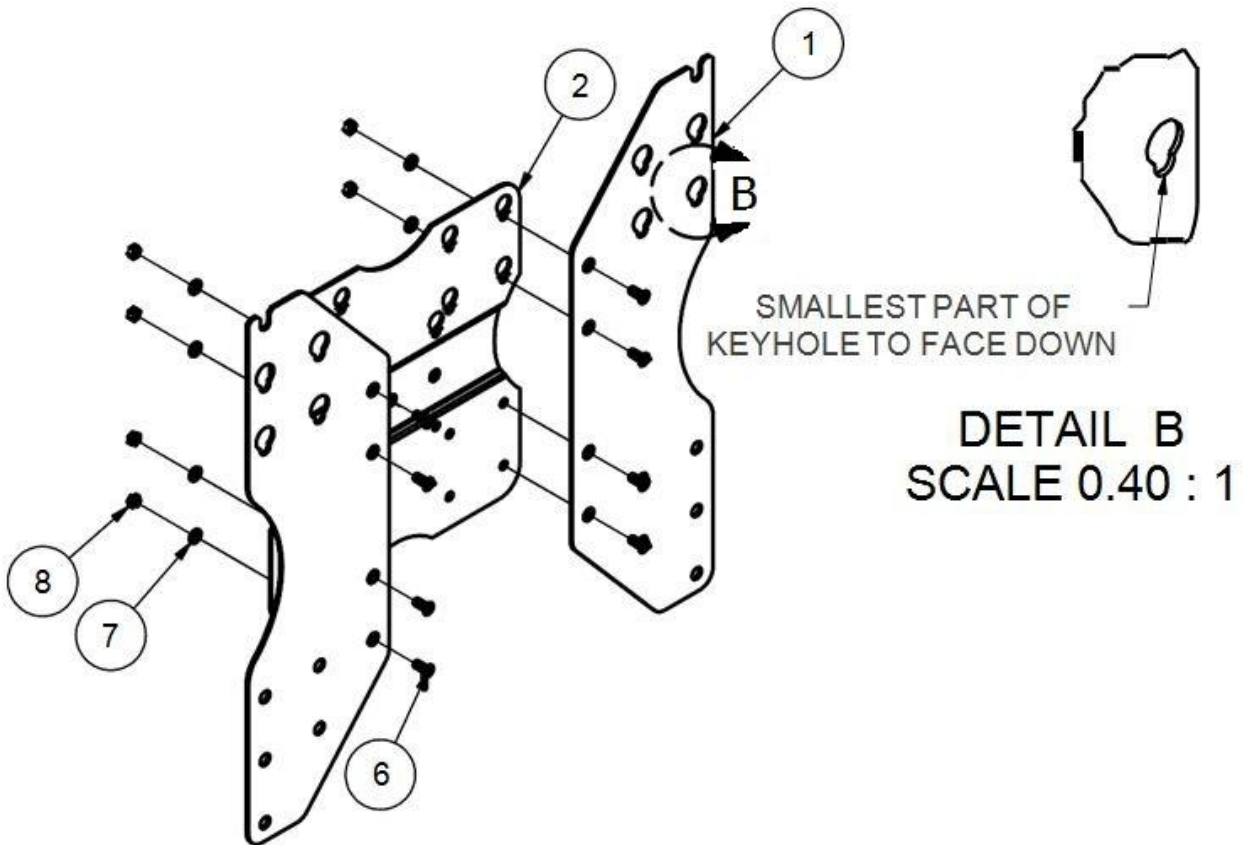
SAFETY STEPS:

- 1) Always wear safety glasses/goggles to prevent injury from debris.
- 2) Follow the installation/removal instructions for your existing products.

PROCEDURE:

STEP 1:

Attach PD181-729 brackets (#1) to PD181-707 plate (#2) using eight M5 x 12mm sunk screws (#6), eight M5 flat washers (#7), and eight M5 Hex nuts (#8).

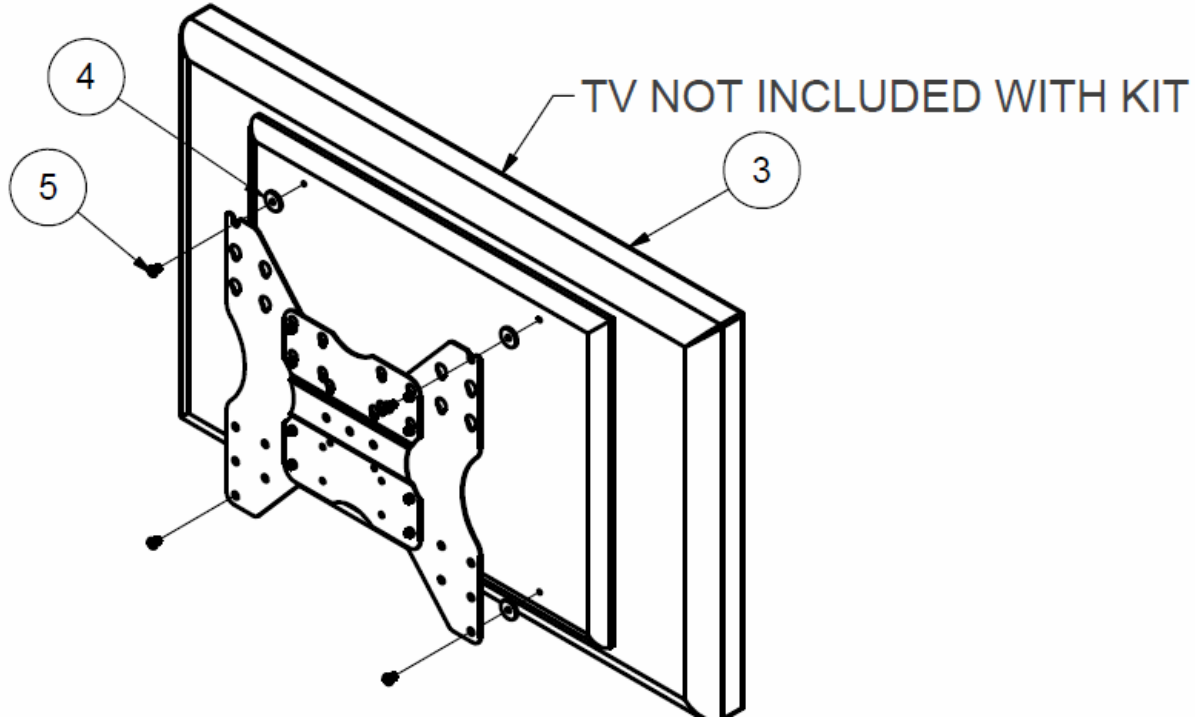


Parts List			
ITEM	QTY	PART NUMBER	DESCRIPTION
1	1	PD181-729	ADAPTER PLATE - 400mm X 400mm
2	1	PD181-707	WALL MOUNT FLAT PANEL TV
3	1	CV3700	NOT INCLUDED WITH MOUNT
4	4	PD11177	STEEL FLAT WASHER
5	4	M6 X 10mm PPHMS	M5 X1 10mm PHILLIPS SCREW
6	8	M5 X 12mm PPHMS	M5 X.8 12mm PHILLIPS SCREW
7	8	M5 WASHER	M5 FLAT WASHER
8	8	M5 HEX NUT	M5 HEX NUT

PROCEDURE:

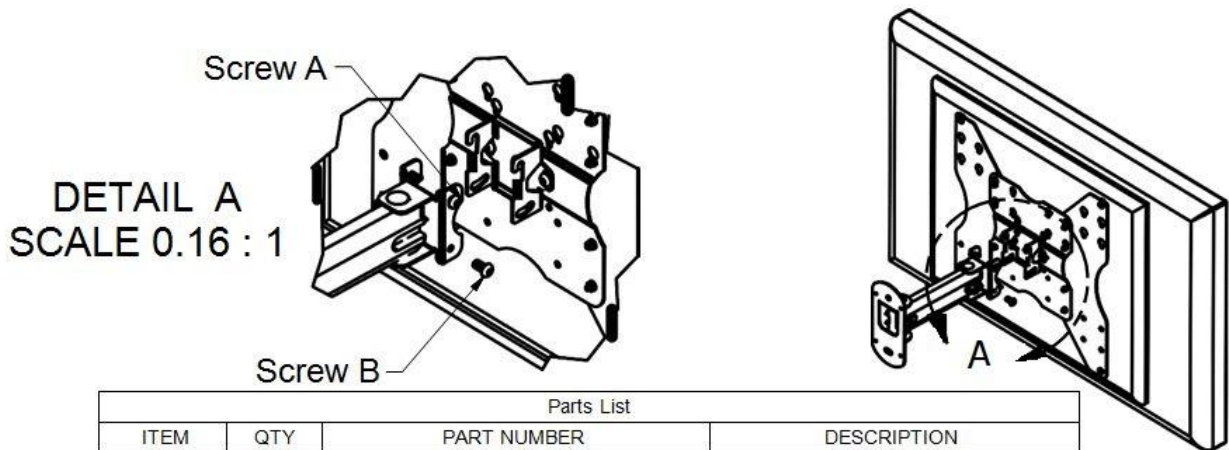
STEP 2:

Attach previously assembled parts to CV3700 (#3) using four PDIPPHMSM6X110 screws (#5) and four PDI1177 steel flat washers (#4).



STEP 3:

Attach PD181-707 to the wall using supplied fasteners and carefully follow instructions provided with PD181-707. Carefully pick up the LCD TV assembly and engage the hooks on the support plate to the top screws on mounting bracket PD181-707. Once the final position is determined, secure screw A. Make sure the slot holes are in line with the holes for screw B. Adjust TV for appropriate Tilt, then tighten screw A and screw B as shown.



Parts List			
ITEM	QTY	PART NUMBER	DESCRIPTION
1	1	PD181-729	ADAPTER PLATE - 400mm X 400mm
2	1	PD181-707	WALL MOUNT FLAT PANEL TV
3	1	CV3700	NOT INCLUDED WITH MOUNT
4	4	PDI1177	STEEL FLAT WASHER
5	4	M6 X 10mm PPHMS	M6 X1 10mm PHILLIPS SCREW
6	8	M5 X 12mm PPHMS	M5 X.8 12mm PHILLIPS SCREW
7	8	M5 WASHER	M5 FLAT WASHER
8	8	M5 HEX NUT	M5 HEX NUT