 PDi Communication Systems, Inc. Better Solutions Are Within Reach®	MODEL NUMBER: PD168-040	Document Number: PD196-227R2
	Keyboard Tray Assembly Instructions	Page 1 of 2

Safety steps:

- 1) Always wear safety glasses/goggles to prevent injury from debris.
- 2) Follow the installation/removal instructions for your existing products.

TOOL LIST:

- 1) P1 or P2, phillips screw driver
- 2) Pliers
- 3) 3/8" wrench or socket and driver
- 4) Safety glasses/goggles

STEP 1.

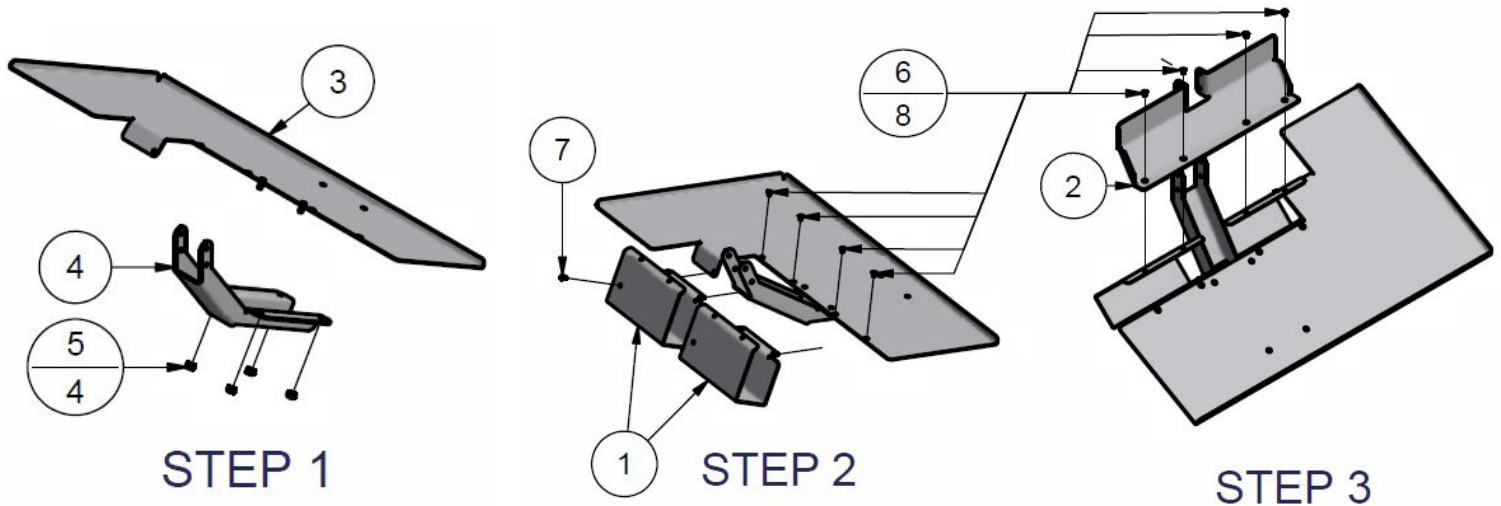
Attach the PD133-018 tray to the PD181-601 bracket using four PDINILN1032 nuts.

STEP 2.

Attach two PD133-037 sockets to the PD181-018 tray with four PDIPFHMS63225 screws and one PDIPPHMS63225 screw.

STEP 3.

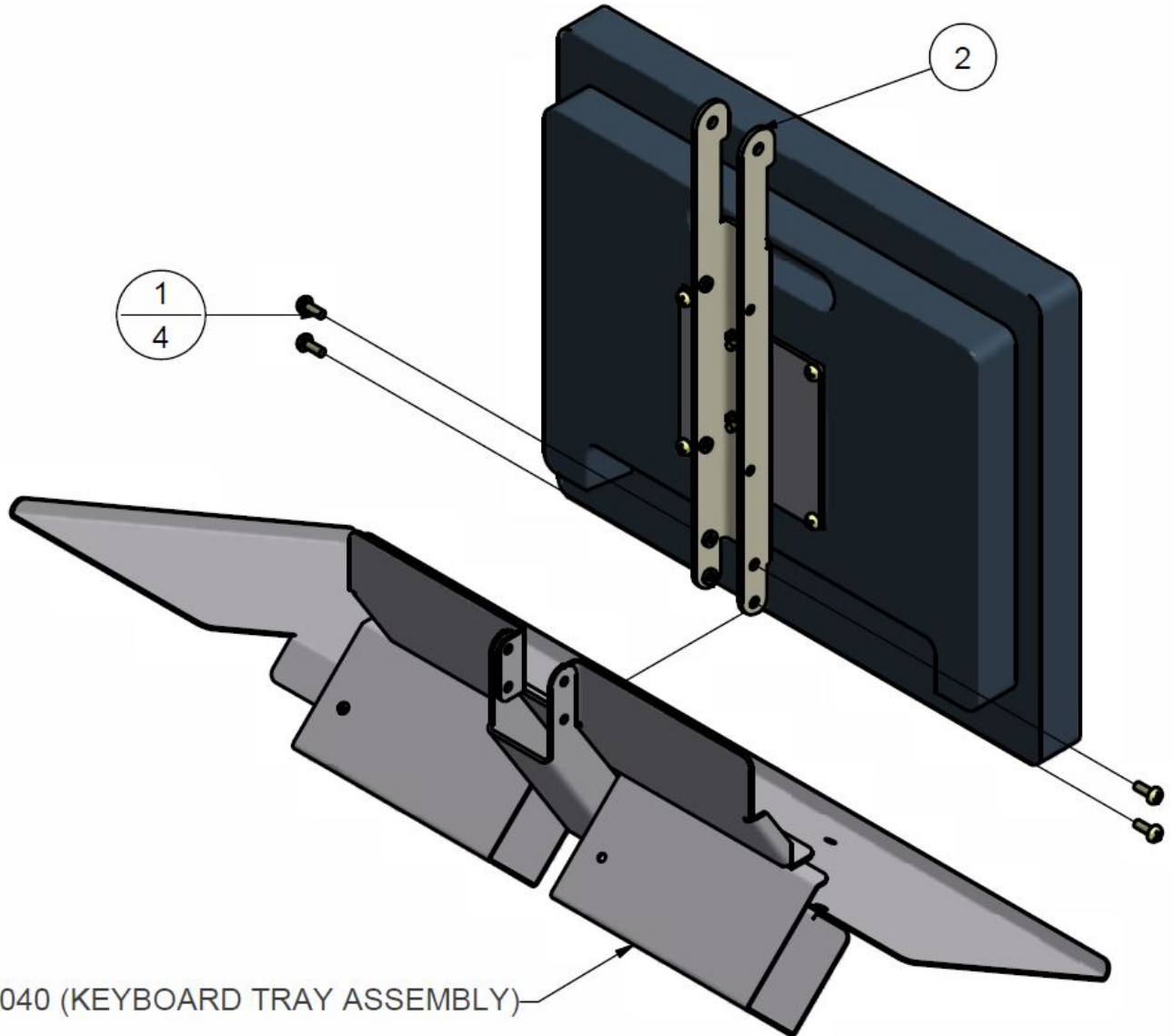
Attach the PD133-610 wire cover to the two PD133-037 sockets with four PDIPFHMS63225 screws.



Parts List			
ITEM	QTY	PART NUMBER	DESCRIPTION
1	2	PD133-037	SOCKET
2	1	PD133-610	WIRE COVER
3	1	PD181-018	KEYBOARD TRAY
4	1	PD181-601	P15LCD KEYBOARD TRAY BRACKET
5	4	PDINILN1032	10-32 NYLOC
6	8	PDIPFHMS63225	6-32 X 1/4 PFHMS
7	1	PDIPPHMS63225	6-32 x 1/4 PPHMS

NOTE: PD168-040 (KEYBOARD TRAY ASSEMBLY) NEEDS TO BE ASSEMBLED BEFORE PROCEEDING.

4) Attach the PD168-040 keyboard tray assembly to the bottom four holes in the PD181-632 mounting channel, using four PDIPPHMS103250 screws. Be careful to not pinch or disconnect the monitor cables.



PD168-040 (KEYBOARD TRAY ASSEMBLY)

Parts List			
ITEM	QTY	PART NUMBER	DESCRIPTION
1	4	PDIPPHMS103250	10-32X1/2 PPHMS
2	1	PD181-632	MOUNTING CHANNEL