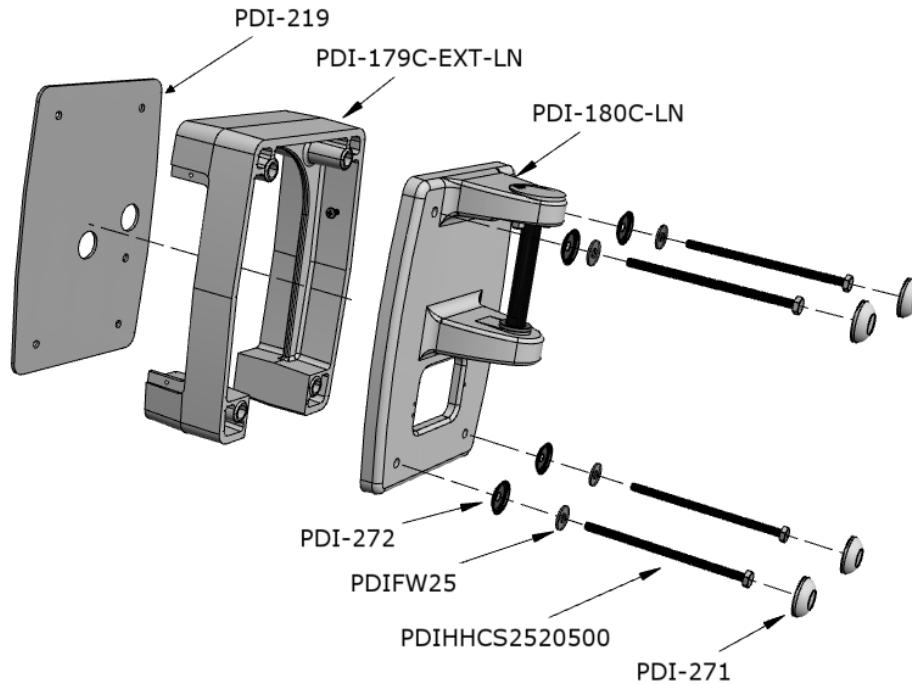
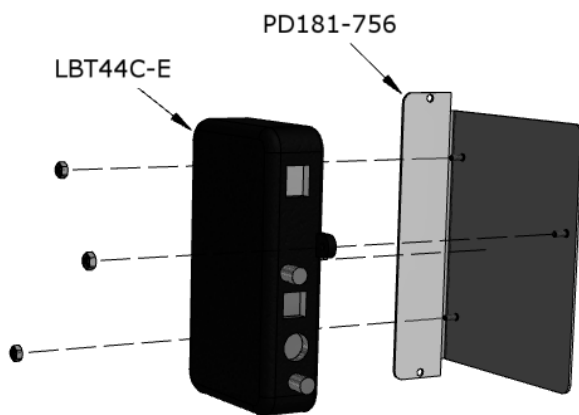


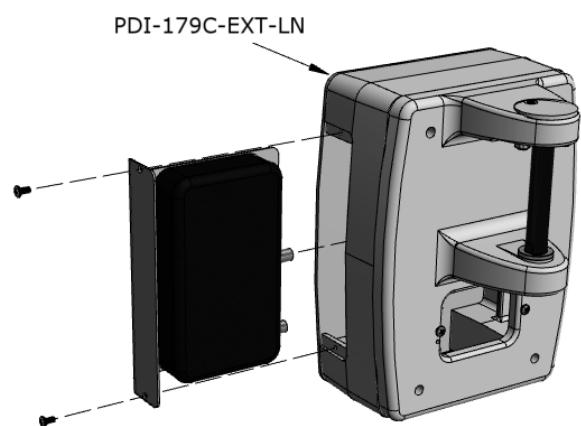
- Assemble and mount PDI-219 backer plate, PDI-179C-EXT-LN and PDI-180C-LN using (4) each of PDI-272 washers, PDIFW25 washers, PDIHHCS2520500 bolts, and PDI-271 caps in the order shown. This method of installation requires support backing inside the wall that is designed for use with ¼-20 mounting fasteners, i.e. PDI-254I.  
 If an external backing plate, like a PDI-255E is used, the PDI-219 will not be needed.



- Attach LBT44C-E to PD181-756 using (3) PDITNILN632 nyloc nuts as shown.(Fig. 1)
- Make the require cabling connections to the LBT44CE and the PD167-003 (Power Passer)
- Insert PD181-756 and Power-Passer assembly into the PDI-179C-EXT-LN assembly as shown. (Fig. 2)

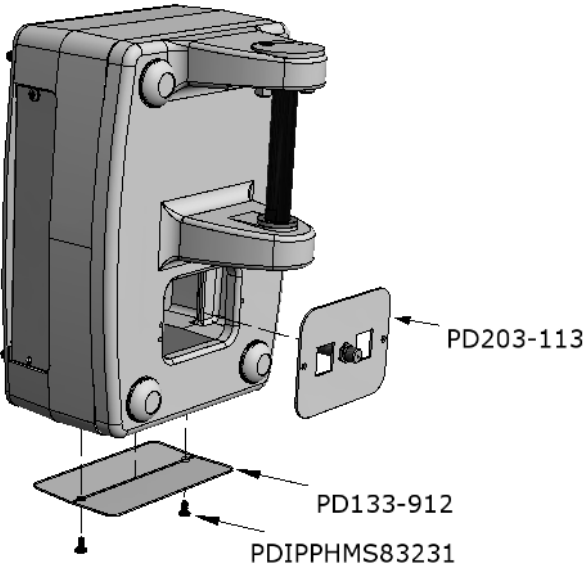


**Fig. 1**



**Fig. 2**

5. Make the required connections to the PD203-113 (A/V plate) and attach the A/V plate and the PD133-912 (lower cover) to the wall mount as shown. (Fig. 3)



**Fig. 3**

