	MODEL NUMBER: CMT Rotational Stop	Document Number: PD196-235R1
	Installation Instructions	Page 1 of 1

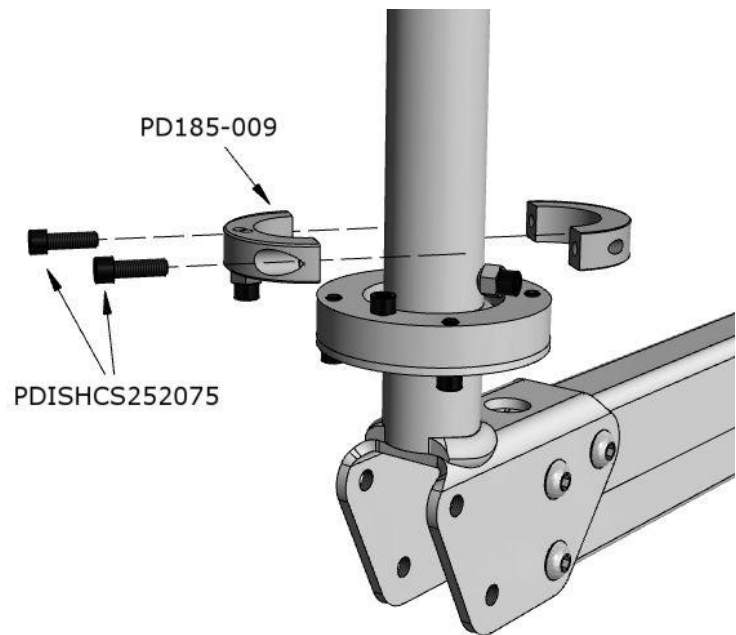
INSTRUCTIONS FOR INSTALLING AN ADDITIONAL ROTATIONAL STOP FOR CEILING MOUNT ARMS.

TOOLS: SAFETY GLASSES
3/16 HEX KEY

SAFETY TIPS:

ALWAYS WEAR SAFETY GOGGLES/GLASSES TO PREVENT INJURY FROM DEBRIS.
FOLLOW INSTALLATION/REMOVAL INSTRUCTIONS FOR YOUR EXISTING PRODUCTS.

1. SEPARATE HALVES IN PD185-009 COLLAR.
2. POSITION TO DESIRED TRAVEL LIMITS.
3. TIGHTEN SECURELY WITH TWO PDISHCS252075 BOLTS AS SHOWN.



4. ROTATE CEILING MOUNT ARM TO VERIFY PROPER CONTACT OF THE NEW STOP BOLT AND EXISTING STOP BOLT IN THE PDI-589 STOP COLLAR.

