

Scope:

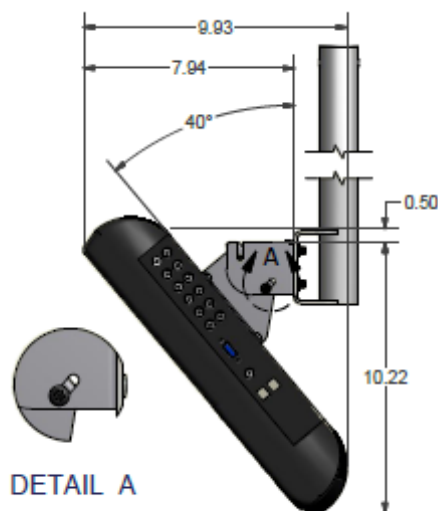
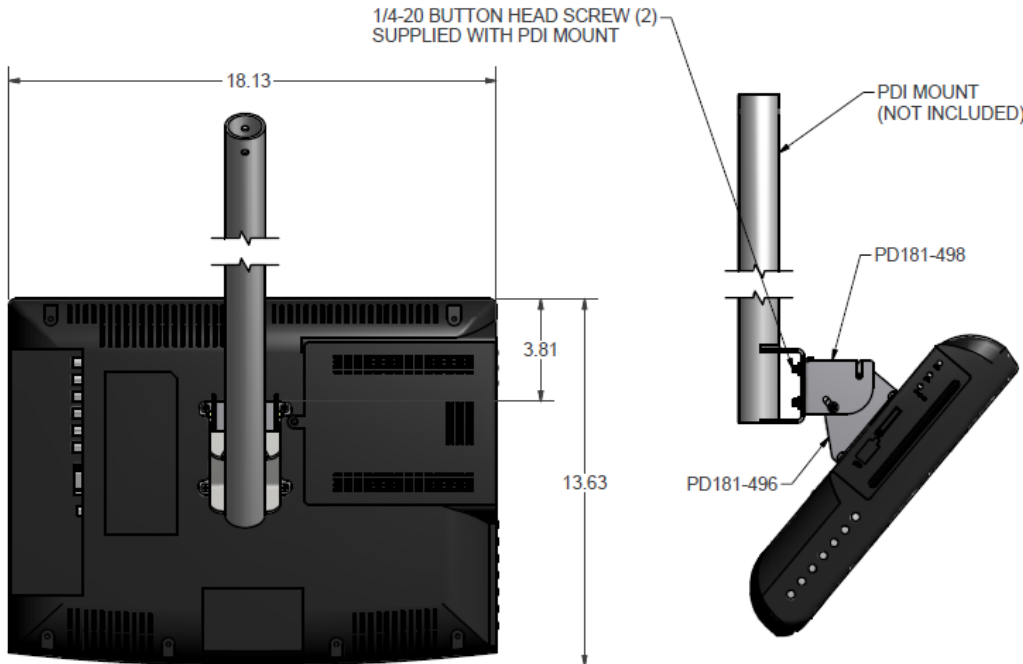
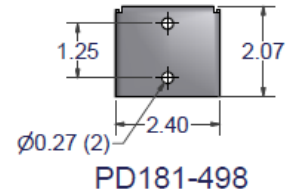
To wall mount the LCD TV with the PD168-211 wall mount.
 This mount has a standard 75mm VESA pattern to fit the PDI-P19LCD and CV2200 TVs,
 as well as other 75mm VESA compliant sets.

TOOL LIST:

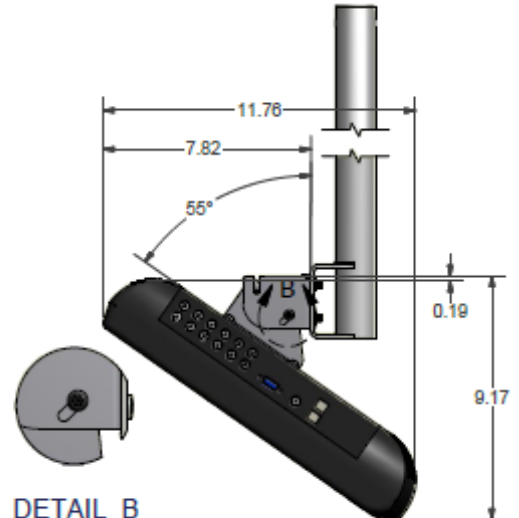
- 1) Safety glasses/goggles
- 2) P1 screwdriver
- 3) 1/4 hex bit driver
- 4) PD219-020 pilfer tool bit (included with kit)

Safety steps:

- 1) Always wear safety glasses/goggles to prevent injury from debris.
- 2) Follow the installation/removal instructions for your existing products.



40 DEGREE TILT



55 DEGREE TILT

INSTALLATION PROCEDURE:

- 1) Attach the PD181-498 to the PDI support/mount using the 1/4-20 fasteners supplied with that mount.
- 2) Attach the PD181-496 bracket to the VESA pattern on the back of the LCD TV, using the four supplied M4-.7x6mm screws.
- 3) Carefully lift the set up and position the PD181-496 mounting bracket inside the sides of the PD181-498 mount, allowing the two side support pins of the PD181-496 mounting bracket to rest in the two notches at the front of the PD181-498 mount.
- 4) Adjust the tilt and secure the PD181-496 mounting bracket to the PD181-498 mount using two PDIPPHMS1032 38 screws.

