 PDi Communication Systems, Inc. <i>Better Solutions Are Within Reach™</i>	MODEL NUMBER: PD181-661	Document Number: PD196-243R1
	Installation of LCD Chair Mount	Page 1 of 2

SCOPE:

To install a PD181-661 LCD chair mount.

NOTES:

Mounting fasteners are customer supplied. The standard fastener requirement is a 1/4" diameter grade 5 or higher fastener.

TOOL LIST:

1. Safety glasses/goggles
2. Drill
3. Drill bit sized for the chosen mounting fasteners
4. 1/8" hex key for pilfer proofing screw
5. Tools for installation of chosen mounting fasteners

SAFETY STEPS:

1. Always wear safety glasses/goggles to prevent injury from debris.
2. Follow the installation/removal instructions for your existing products.

PROCEDURE

STEP 1:

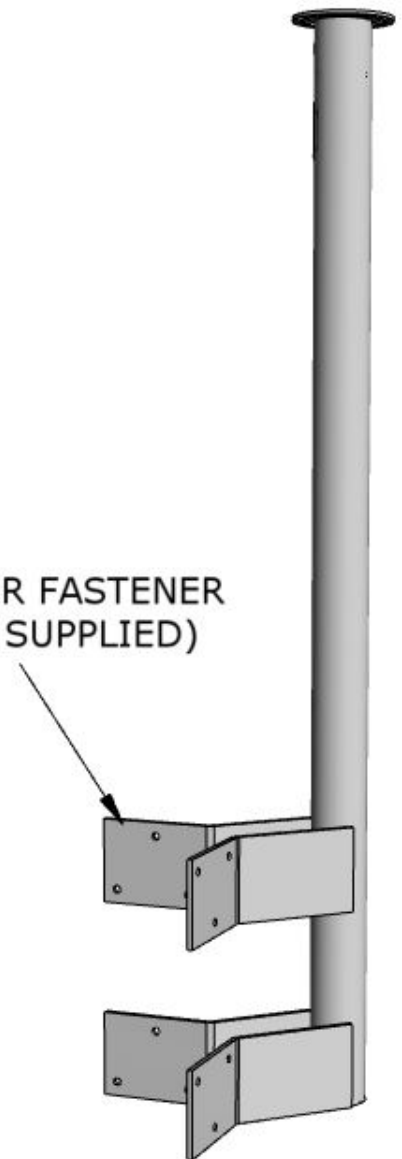
Locate and lay out the bolt pattern for the mounting fasteners and the coax/cable hole or cutout.


STEP 2:

Follow the manufacturer's instructions for installation of the chosen mounting fasteners. Drill the fastener holes to the manufacturer's specification.

Tighten the fasteners to securely hold the chair mount to the mounting surface.

1/4" DIAMETER FASTENER
(CUSTOMER SUPPLIED)



	MODEL NUMBER: PD181-661	Document Number: PD196-243R1
	Installation of LCD Chair Mount	Page 2 of 2

STEP 3:

Use the 1/8" hex key to remove the pilfer proofing screw and spacer.

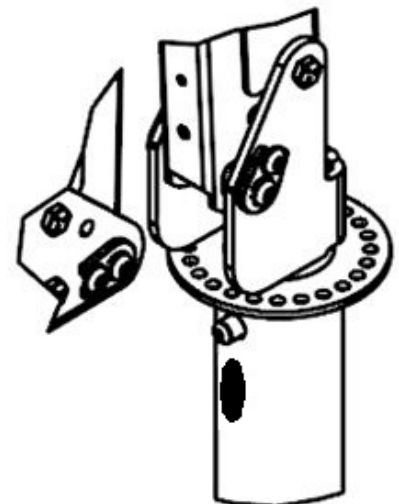
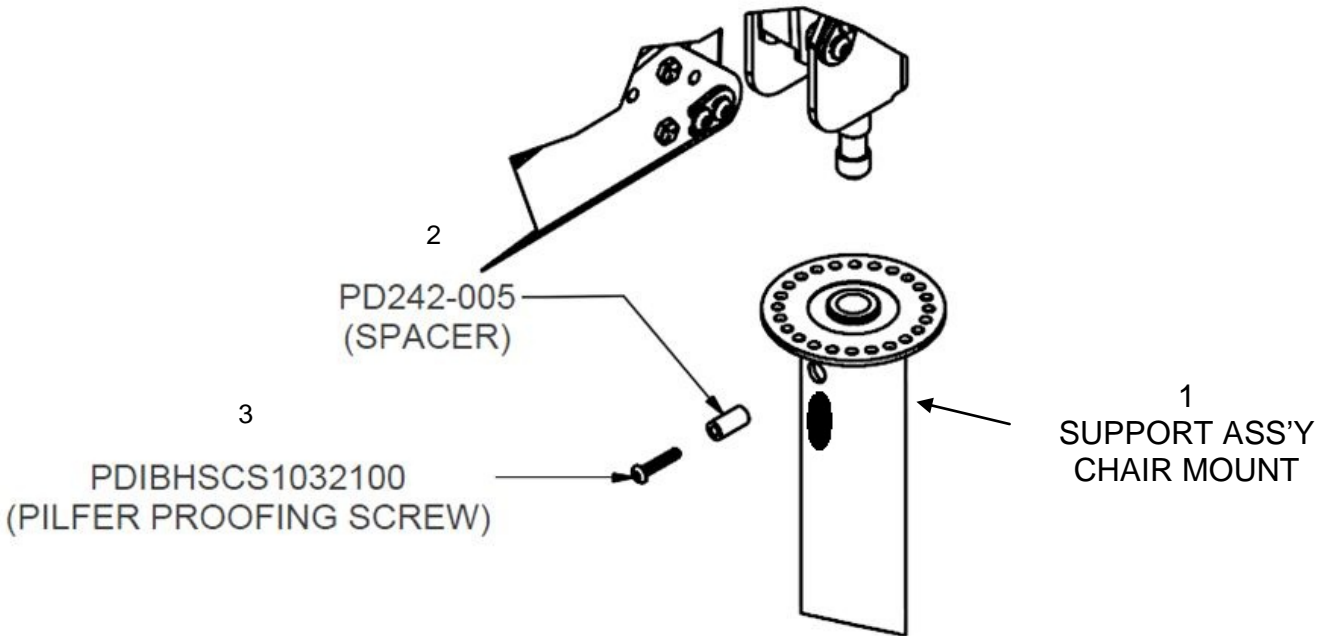
STEP 4:

Install the arm (sold separately) into the chair mount, taking care to properly align the base pin with the bushing to prevent damage to the bushing during installation.

STEP 5:

Use the 1/8" hex key to reinstall the pilfer proofing screw and spacer.

Rotate the arm from side to side to verify that it moves smoothly and does not bind on the pilfer proofing screw. Lift up on the arm to confirm that the arm cannot be removed while the pilfer proofing screw is installed.



PARTS LIST

ITEM	QTY	PART NUMBER	DESCRIPTION
1	1	PD181-661	SUPPORT ASS'Y CHAIR MOUNT
2	1	PD242-005	SPACER
3	1	PDIBHSCS1032100	PILFER PROOFING SCREW