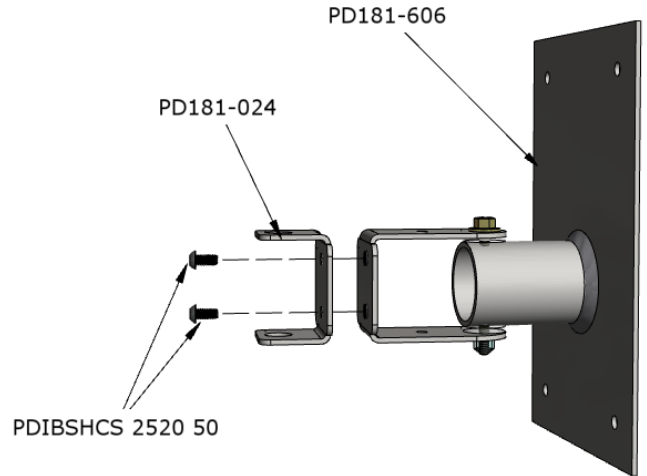
	MODEL NUMBER: PD168-050	Document Number: PD196-259R1
	Top Mount With Alternate Attachment Installation Instructions	Page 1 of 2

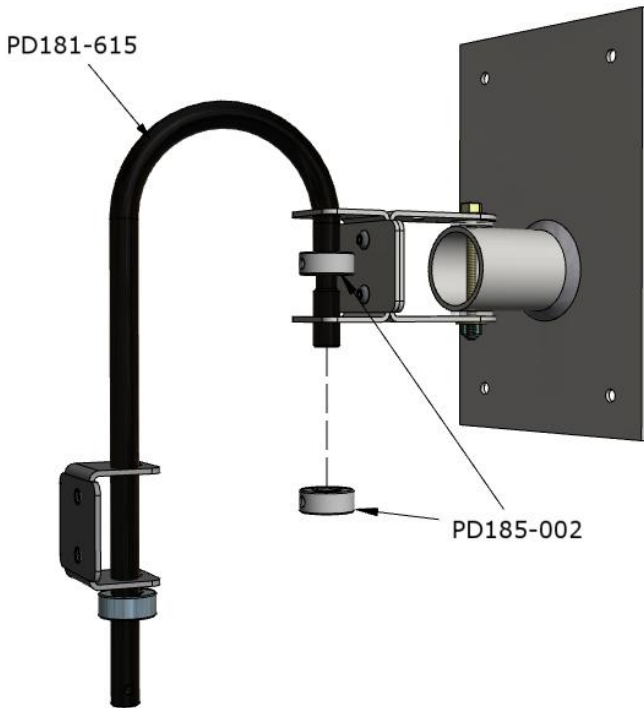
Assembly Instructions for Pan and Tilt Top Mount

Follow the separate mounting instructions for your chosen wall and mounting bracket kits (wall bracket to wall and TV mounting bracket to TV). Be sure to allow enough ceiling clearance to insert top mount and allow for positioning of TV. (approx. 5/5")

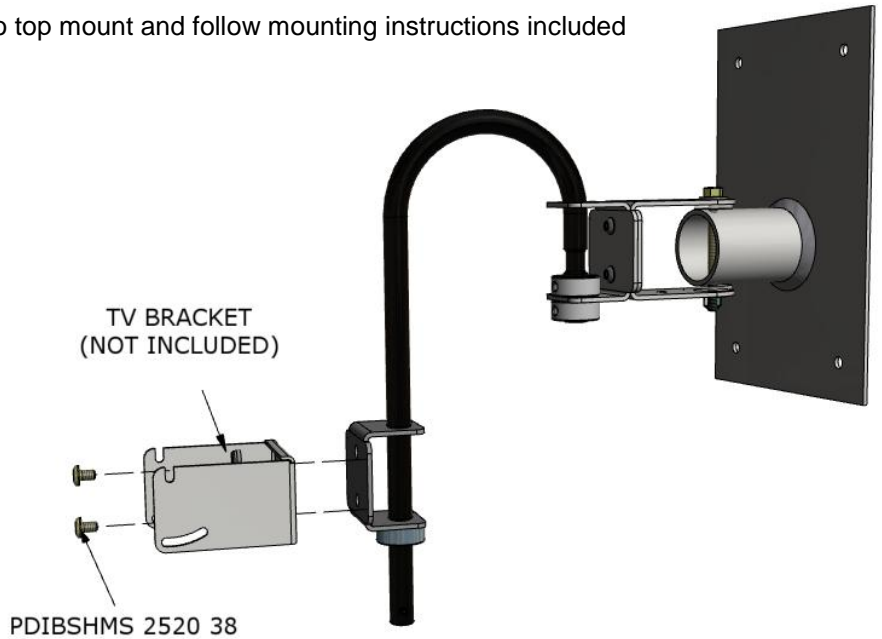
1. Attach mounting bracket (purchased separately) to wall according to its specified mounting instructions. PD181-606 bracket shown.
2. Remove the (2) PDIBSHCS 2520 50 screws from the wall bracket and attach PD181-024 bracket as shown.



3. Insert PD181-615 hook through PD181-024 bracket and middle collar as shown.
4. Align bottom of hook PD181-615 with face of bottom collar and tighten set screw PD185-002.
5. Push middle collar down and tighten set screw.



6. Attach TV bracket (not included) to top mount and follow mounting instructions included with your specific television.



Height Adjustment

BE CAREFUL TO SECURELY SUPPORT THE TV WHEN CHANGING TO DESIRED HEIGHT

The height of the TV can be adjusted by loosening the stop collar, moving it to the desired height and retightening the set screw.

Note: The assembly has approximately 7 inches of vertical adjustment.
 The assembly has two points of rotation, "A" and "B", that allow side to side positioning and angle adjustment.

