

 <small>Communication Systems, Inc.</small> <i>Better Solutions Are Within Reach®</i>	MODEL NUMBER: <b>PD168-054 Dual Mount</b>	Document Number: PD196-263R1
	<b>Installation Instructions</b>	<b>Page 1 of 4</b>

**Scope:**

To install two televisions using a PD168-054 dual mount.

**Tool List:**

1. Safety glasses/goggles
2. 3/8 Drill bit P1 or P2 Phillips screwdriver
3. 1/4" Hex bit driver
4. 5/32 Hex key or Apex bit

**Safety Steps:**

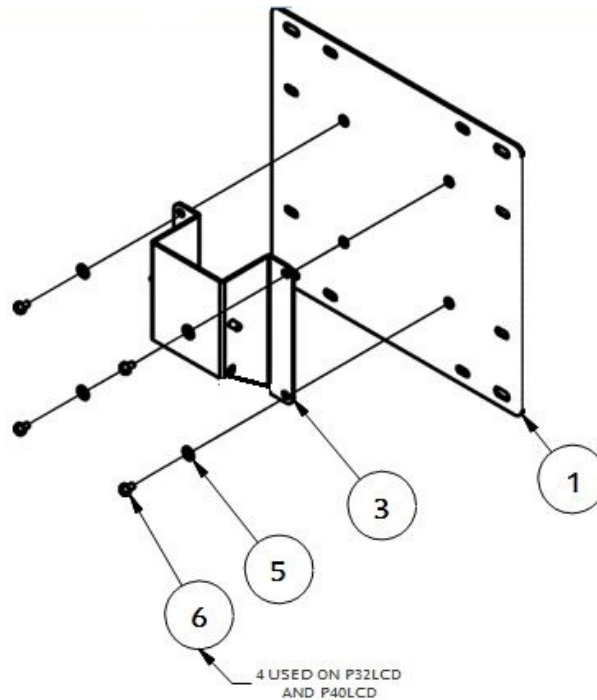
1. Always wear safety glasses/goggles to prevent injury from debris.
2. Follow the installation/removal instructions for your existing products.

**Parts List**

QTY	PART NUMBER	DESCRIPTION
2	PD168-033	200MM WALL MOUNT KIT
2	PD240-007	1/2" ADAPTER BRACKET
4	PDIFW25	WASHER FLAT 1/4"
2	PDISLW25	WASHER LOCK 1/4" SPLIT
4	PDIBHSCS252088	BUTTON HEAD SCREW 1/4-20 X 7/8
2	PDI-590	PLASTIC SLEEVE

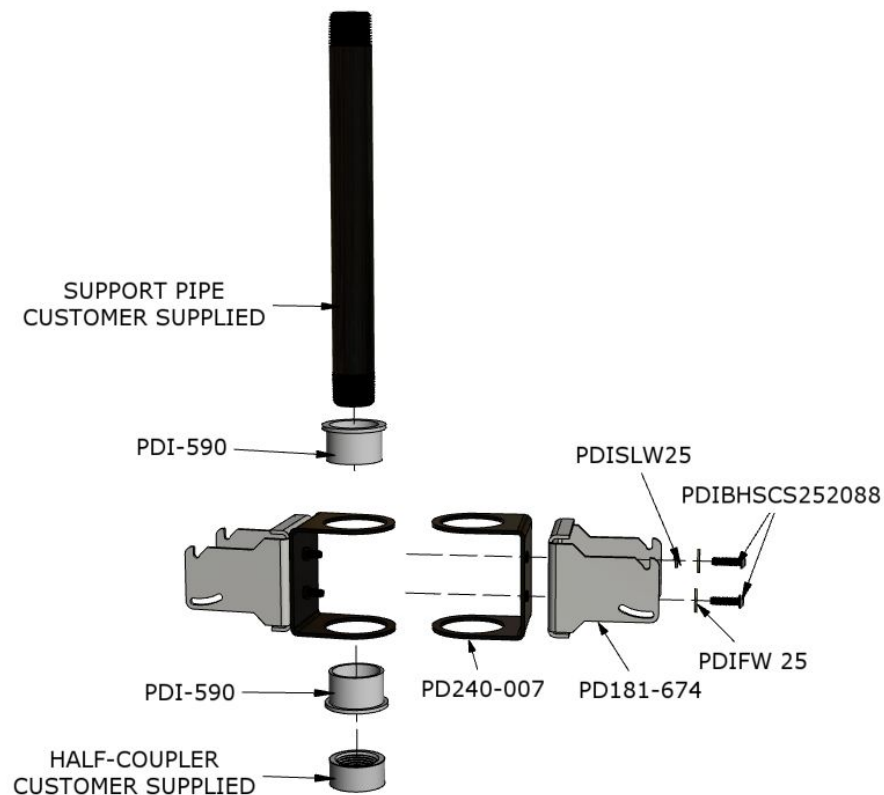
**PROCEDURE**

1. Attach the PD181-596 mounting bracket (#3) to the PD181-672 plate (#1) using four PDIPPHMSM4X76 screws (#6) and four PDIITLW10 washers (#5). Make sure the PD181-596 mounting bracket (#3) is attached to the side of the PD181-672 plate (#1) with the four round ends of the M4 insets. The side with the four hex ends will go towards the back of the set.



Parts List			
ITEM	QTY	PART NUMBER	DESCRIPTION
1	1	PD181-672	200MM TO 100MM ADAPTER PLATE
2	1	PD181-674	HD EXTENDED LCD TILT CLEVIS
3	1	PD181-596	LCD MOUNTING BRACKET
4	2	PDIPPHMS103238	10-32 x .375 PHILLIPS PAN HEAD MACHINE SCREW
5	6	PDIITLW10	#10 INTERNAL TOOTH LOCK WASHER
6	8	PDIPPHMSM4X76	M4-.7 X 6MM PPHMS
7	2	PDIFW25	1/4" FLAT WASHER
8	1	PDISLW25	1/4" LOCK WASHER
9	4	PDI1177	STEEL WASHER
10	4	PDIPPHMSM6X110	M6 X1 10MM PHILLIPS SCREW

2. Attach the PD181-674 mount (#2) to the PD240-007 using one PDIFW25 (1/4" flat washer) and one PDISLW25 (1/4" lock washer) with one PDIBHSCS252088 screw through the top slot in the bracket. Place the remaining PDIFW25 (1/4" flat washer) and PDIBHSCS252088 in the bottom mounting fastener hole.
3. Level the bracket using top leveling slot and tighten fasteners.
4. Slide the PDI-590 onto the Support Pipe (Customer Supplied), then one of the PD181-674 & PD240-007 assemblies, now slide the next PD181-674 & PD240-007 assemblies on the pipe, and the second PDI-590 on the bottom, and securing with the Half Coupler (Customer Supplied) locking these pieces onto the pipe.



5. Carefully lift the set up and position the PD181-596 mounting bracket inside the sides of the PD181-674 mount, allowing the two side support pins of the PD181-596 mounting bracket to rest in the two notches at the front of the PD181-674 mount. Adjust the tilt and secure each side of the PD181-596 mounting bracket to the PD181-674 mount using two PDIPPHMS1032 3/8 screws and two PDIITLW10 washers.
6. Test the function of each set to complete the installation.

