	MODEL NUMBER: <b>PD181-768 Offset Adapter Plate</b>	Document Number: PD196-266R1
	Installation Instructions	

**Scope:**

To install a TV using a PD181-768, 100x200 offset adapter plate, onto a Peerless mount.

**Tool List:**

1. Safety glasses/goggles
2. P1 or P2 Phillips screwdriver
3. 3/8 inch socket and ratchet or wrench

**Safety Steps:**

1. Always wear safety glasses/goggles to prevent injury from debris.
2. Follow the installation/removal instructions for your existing products.

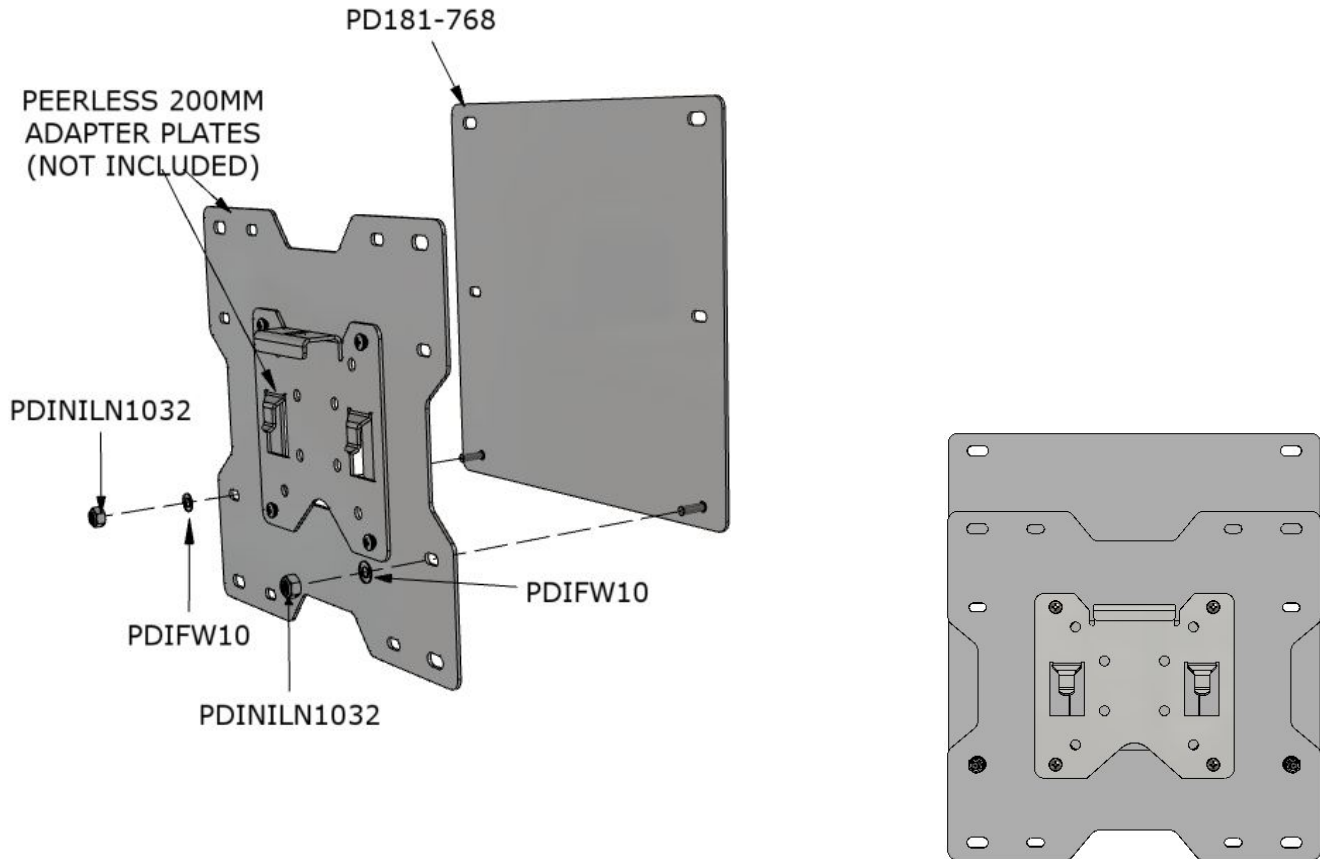
**Supplied Parts List:**


1. PD181-768
2. PDINILN1032 NYLOC NUT (2)
3. PDIFW10 FLAT WASHER (2)

**PROCEDURE:**

**Step 1:**

Insert the two studs of the PD181-768 through the bottom two holes of the existing 100mm x 200mm mounting pattern and install the supplied washers and lock nuts.



	MODEL NUMBER: <b>PD181-768 Offset Adapter Plate</b>	Document Number: PD196-266R1
	Installation Instructions	Page 2 of 2

**Step 2:**

Attach this assembly the mounting holes, 100mm x 200mm pattern, on the back of the TV to be mounted. Use the mounting hardware that comes from the existing mount.

**Step 3:**

Attach the TV and mounting plates per the assembly instructions of the original mount to finish the installation.

